

Punch Unit PU3060
(D706-00/-01/-02/-03)
Parts Catalog

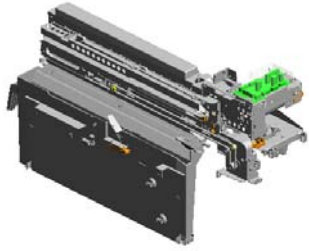
Parts change information sample

 **Add**

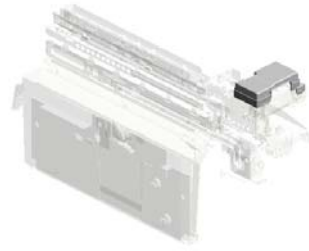
 **Update**

 **Delete**

Unit All



U001
PUNCH UNIT



U002
ACCESSORIES

U001.PUNCH UNIT

U001 S004
D7067516
(EU_AA(01)/CHN);PUNCH UN
IT:CHANGE:ASSY

U001 S005
D7067516
(EU_AA(01)/CHN);PUNCH UN
IT:CHANGE:ASSY

U001 S006
D7067503
(NA);PUNCH UNIT:CHANGE:
ASSY

U001 S007
D7067539
(EU_AA(02));PUNCH UNIT:C
HANGE:ASSY

U001 S003
D7067023
REGISTRATION SENSOR:M
OVE:ASSY

U001 S002
D7067013
TONER HOPPER:ASSY

U001 S001
D7067231
BRACKET:PUNCH:MOVE:DC
STEPPER MOTOR:ASSY

U001 PUNCH UNIT

- 4.07200040E RETAINING RING - M4
- 42.D7067079 GUIDE PLATE:TRANSPORT:ENTRANCE:UPPER
- 48.D7067993 TIMING PULLEY:T18:S2M
- 30.D7067019 BRACKET:BELT TENSIONER:ASSY
- 3.04543006Q TAPPING SCREW - M3X6



24.D7062060
TENSION SPRING:
GUIDE PLATE:MOV
E

36.D7067066
BRACKET:LOCK:T
ONER HOPPER

22.D6885210
PCB:PUNCH:CONT
ROL

40.D7067072
TENSION SPRING:
SHUTTER:TONER
HOPPER

2.04503008N
(x3)
TAPPING SCREW -
M3X8

7.11050623
(x2)
CLAMP - LBWS-02
06S-V0

25.D7062061
GUIDE PLATE:UPP
ER:MOVE

13.AW010143
PHOTO REFLECTIO
N SENSOR:PSR11
TL1R-C

35.D7067065
BRACKET:TONER
HOPPER

37.D7067067
TENSION SPRING:
LOCK:TONER HOP
PER

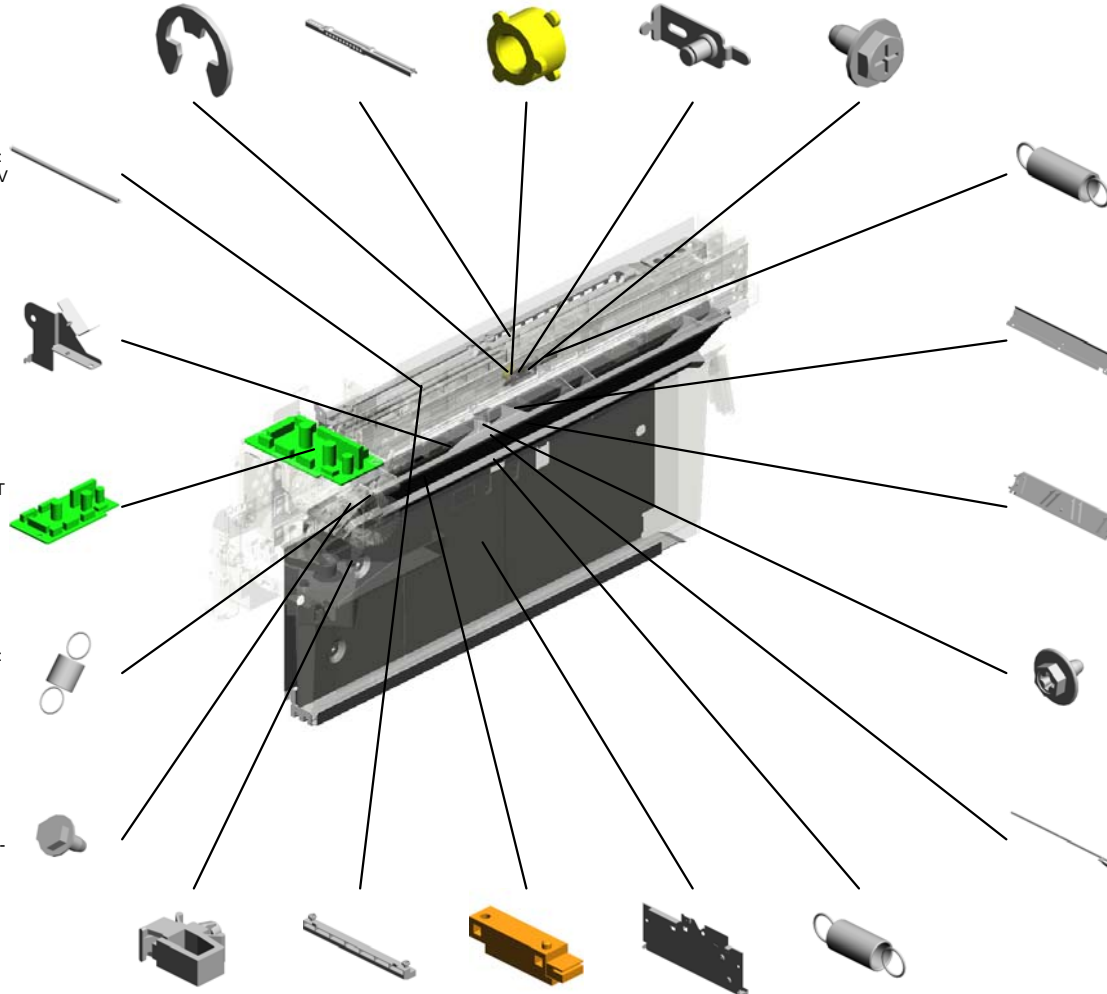
15.B7001501
TENSION SPRING -
PRESSURE

34.D7067063
GUIDE PLATE:UPP
ER:EXHAUST:TON
ER HOPPER

38.D7067070
PUNCH:PAPER CH
IP:GUIDE

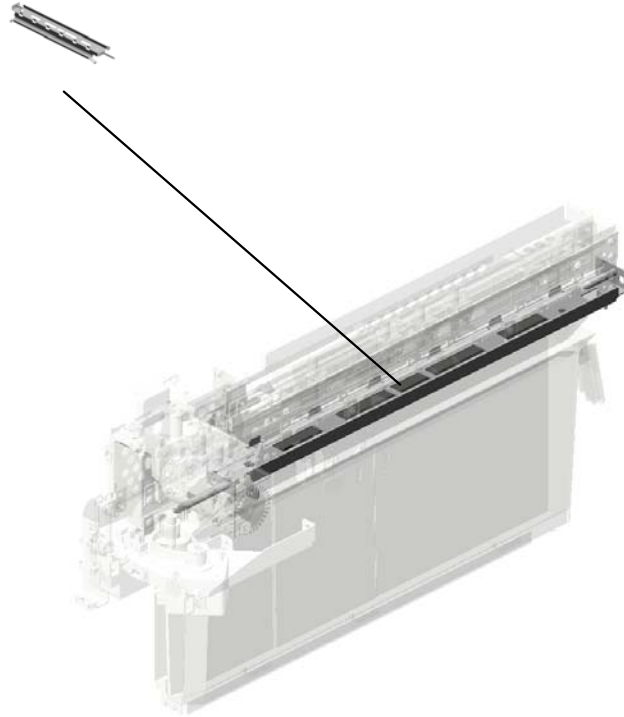
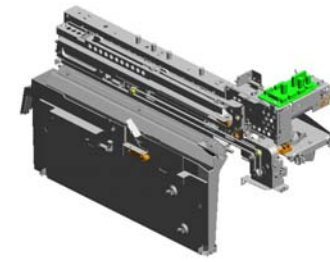
20.D6884824
SCREW:CONTACT
POINT:M3

39.D7067071
SHUTTER:EXHAUS
T:TONER HOPPER



U001
PUNCH UNIT

53.D6881000
STAY:PUNCH UNIT
:SLIDE:ASS'Y

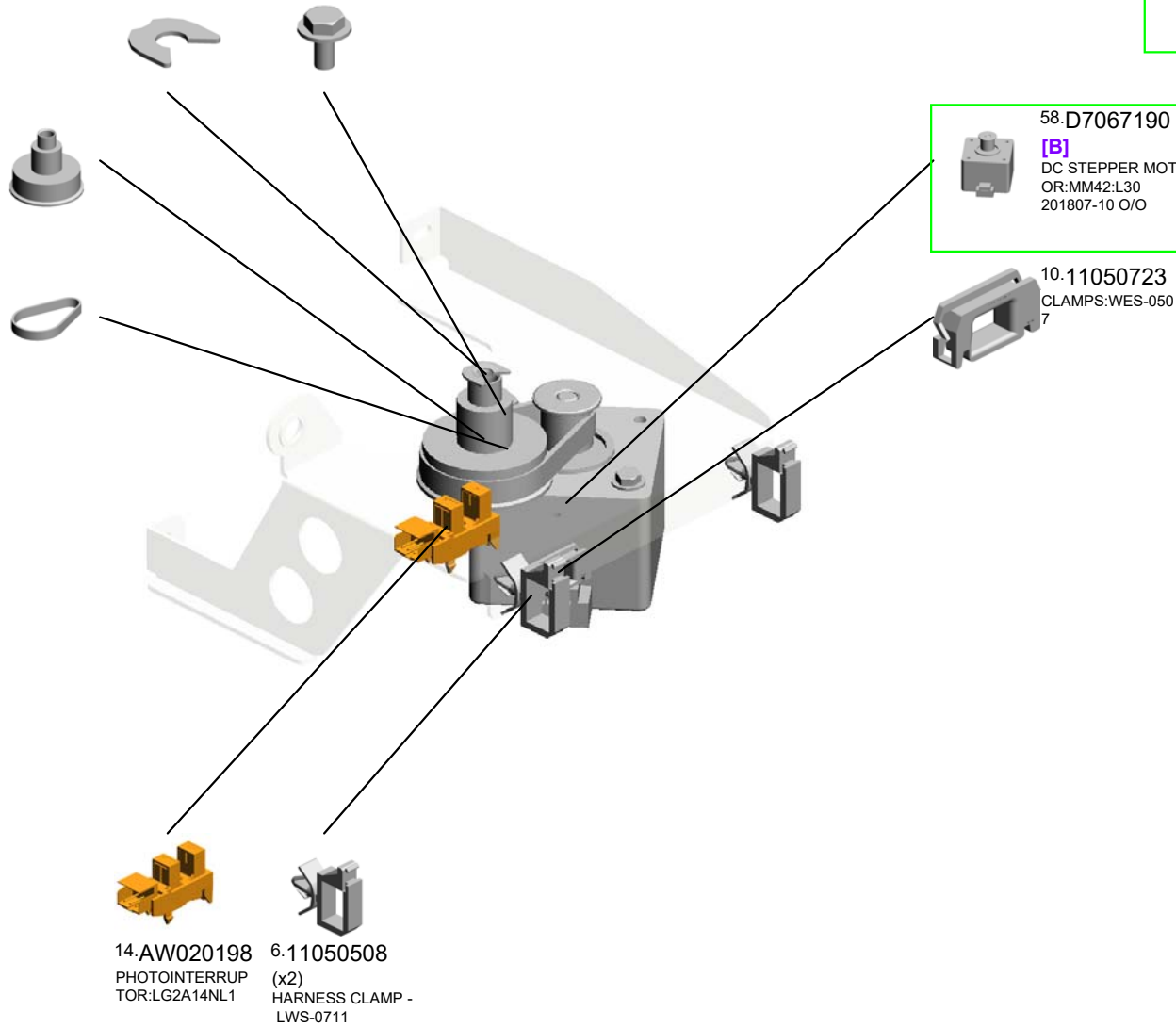


U001_S001
 BRACKET:PUNCH:MOVE:DC STEPPER MOTOR:ASS'Y

5.08050089 1.03603006N
 RETAINING RING - (x2)
 M4 SCREW - M3X6

41.D7067077
 PINION:PUNCH UNIT:MOVE

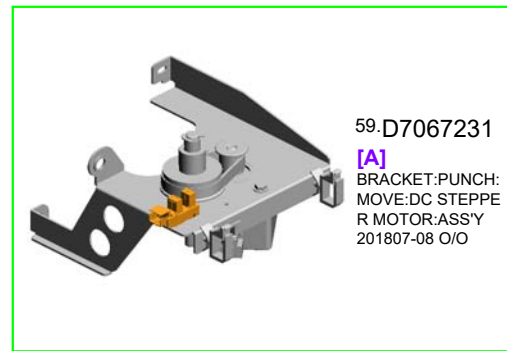
16.B7027210
 TIMING BELT:B60S
 2M122



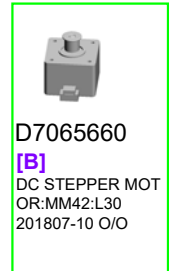
14.AW020198 6.11050508
 PHOTOINTERRUPTOR:LG2A14NL1 (x2)
 HARNESS CLAMP - LWS-0711

58.D7067190
 [B]
 DC STEPPER MOTOR:MM42:L30
 201807-10 O/O

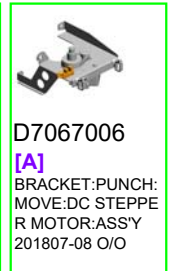
10.11050723
 CLAMPS:WES-0507



59.D7067231
 [A]
 BRACKET:PUNCH:MOVE:DC STEPPER MOTOR:ASS'Y
 201807-08 O/O



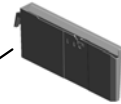
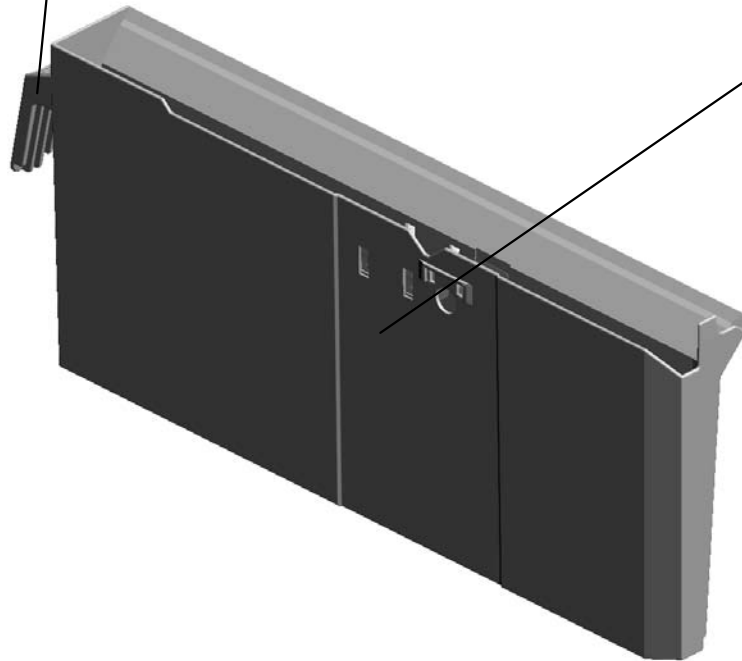
D7065660
 [B]
 DC STEPPER MOTOR:MM42:L30
 201807-10 O/O



D7067006
 [A]
 BRACKET:PUNCH:MOVE:DC STEPPER MOTOR:ASS'Y
 201807-08 O/O

U001_S002
TONER HOPPER:ASS'Y

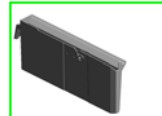
23.D6887838
DECAL:POSITIONING
DISPLAY:TONER
HOPPER



26.D7062725
TONER HOPPER:AS
SS'Y



50.D7067013
[A]
TONER HOPPER:AS
SS'Y
201802-01 X/O



D7067011
[A]
HOPPER:PAPER C
HIP:ASS'Y
201802-01 X/O

U001_S003 REGISTRATION SENSOR:MOVE:ASS'Y

11.11050758 (x8) CLAMP:LWSM-030 6A
 9.11050692 (x4) CLAMP:LES-0503
 14.AW020198 PHOTOINTERRUPTOR:LG2A14NL1
 49.GW010007 PHOTO REFLECTI ON SENSOR:EXIT
 44.D7067096 GUIDE:PLATE



31.D7067023
REGISTRATION SE NSOR:MOVE:ASS' Y

4.07200040E (x3) RETAINING RING - M4



48.D7067993 TIMING PULLEY:T1 8:S2M



18.D4543634 TIGHTENER:DIA10



1.03603006N (x2) SCREW - M3X6



12.11050760 CLAMP:LWSM-051 1A



10.11050723 CLAMPS:WES-050 7



27.D7065660 DC STEPPER MOT OR:MM42:L30



2.04503008N TAPPING SCREW - M3X8



19.D4543636 TIMING BELT:40S2 M672



32.D7067051 SHAFT:SLIDE:REGI STRATION SENSO R



17.B8047140 GUIDE:STAY:REGI STRATION SENSO R



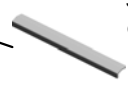
55.D6885151 [A] PUNCH:SENSOR:C ONNECTING:ASS'Y 201807-06 X/O



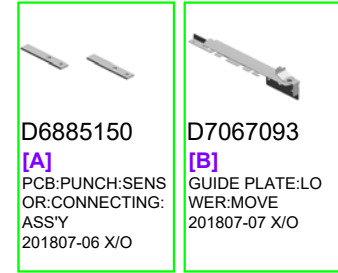
3.04543006Q (x2) TAPPING SCREW - M3X6



33.D7067056 COVER:HARNESS



56.D7067097 [B] GUIDE PLATE:LO WER:MOVE 201807-07 X/O



D6885150 [A] PCB:PUNCH:SENS OR:CONNECTING: ASS'Y 201807-06 X/O

D7067093 [B] GUIDE PLATE:LO WER:MOVE 201807-07 X/O

U001_S004
 (EU_AA(01)/CHN):PUNCH UNIT:CHANGE:ASS'Y

3.04543006Q TAPPING SCREW - M3X6
 9.11050692 CLAMP:LES-0503
 8.11050639 CLAMP:MPS-06-0 V0
 7.11050623 (x3)
 CLAMP - LBWS-02
 06S-V0



61.D7067516
 [A]
 (EU_AA(01)/CHN):P
 UNCH UNIT:CHAN
 GE:ASS'Y
 201807-04 X/O

54.D3BB7144
 COVER:PUNCH:UP
 PER:ASS'Y
 201807-02

7.11050623
 CLAMP - LBWS-02
 06S-V0
 201807-12



6.11050508 (x2)
 HARNESS CLAMP - LWS-0711

9.11050692
 CLAMP:LES-0503

57.D7067139 (x2)
 SHEET:BRACKET:
 PUNCH:PCB
 201807-09

14.AW020198 (x2)
 PHOT INTERRUPTOR:LG2A14NL1

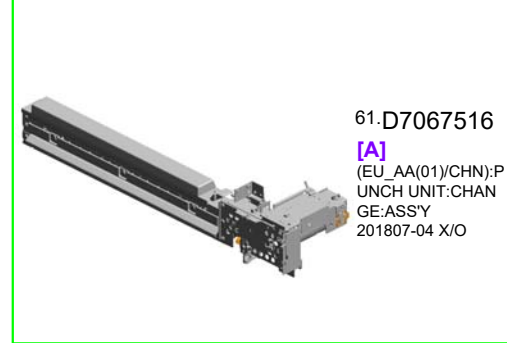
4.07200040E
 RETAINING RING - M4

9.11050692
 CLAMP:LES-0503
 201807-11

D7067510
 [A]
 (EU_AA(01)/CHN):P
 UNCH UNIT:CHAN
 GE:ASS'Y
 201807-04 X/O

U001_S005
 (EU_AA(01)/CHN):PUNCH UNIT:CHANGE:ASS'Y

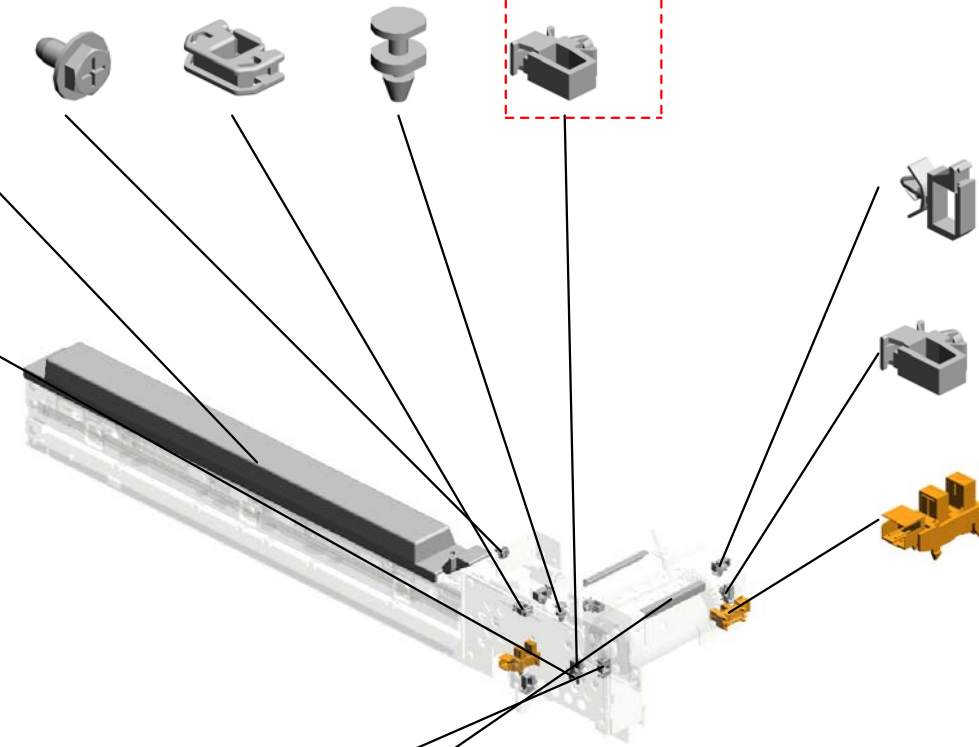
- 3.04543006Q TAPPING SCREW - M3X6
- 9.11050692 CLAMP:LES-0503
- 8.11050639 CLAMP:MPS-06-0 V0
- 7.11050623 CLAMP - LBWS-02 06S-V0 201807-12



61.D7067516
 [A]
 (EU_AA(01)/CHN):P
 UNCH UNIT:CHAN
 GE:ASS'Y
 201807-04 X/O

54.D3BB7144
 COVER:PUNCH:UP
 PER:ASS'Y
 201807-02

4.07200040E
 RETAINING RING -
 M4



6.11050508
 (x2)
 HARNESS CLAMP -
 LWS-0711



9.11050692
 CLAMP:LES-0503

7.11050623
 (x3)
 CLAMP - LBWS-02
 06S-V0



14.AW020198
 (x2)
 PHOTOINTERRUP
 TOR:LG2A14NL1



9.11050692
 CLAMP:LES-0503
 201807-11

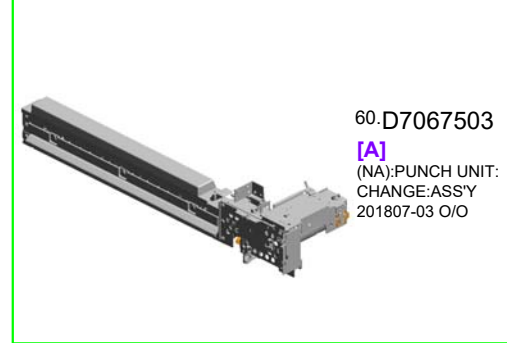
57.D7067139
 (x2)
 SHEET:BRACKET:
 PUNCH:PCB
 201807-09



D7067510
 [A]
 (EU_AA(01)/CHN):P
 UNCH UNIT:CHAN
 GE:ASS'Y
 201807-04 X/O

U001_S006
 (NA):PUNCH UNIT:CHANGE:ASS'Y

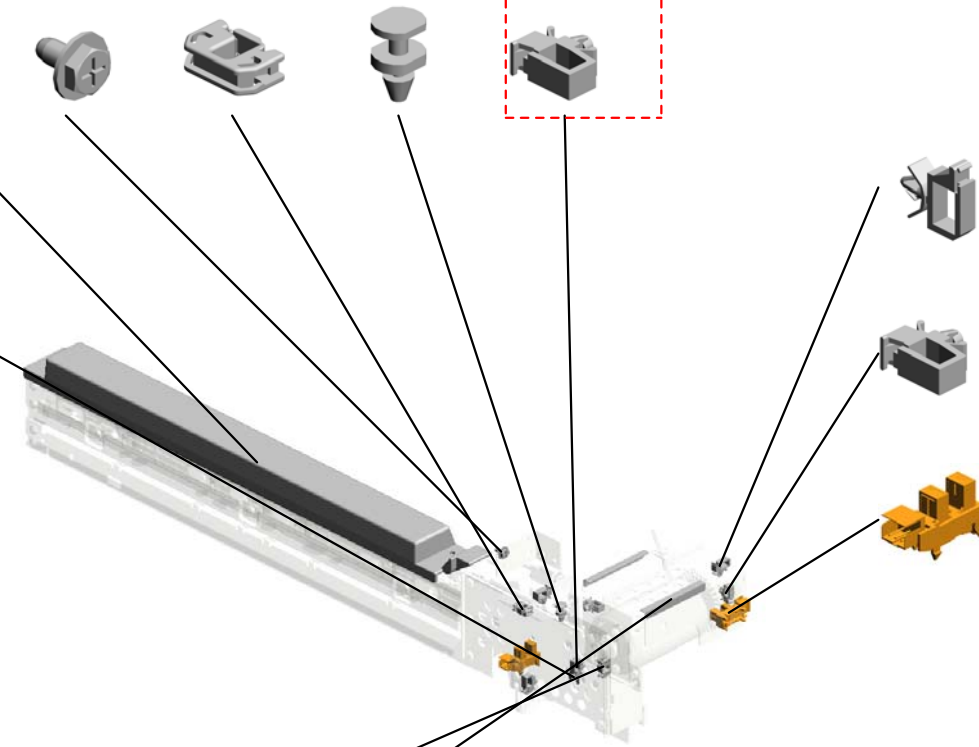
- 3.04543006Q TAPPING SCREW - M3X6
- 9.11050692 CLAMP:LES-0503
- 8.11050639 CLAMP:MPS-06-0 V0
- 7.11050623 CLAMP - LBWS-02 06S-V0 201807-12



60.D7067503
 [A]
 (NA):PUNCH UNIT:
 CHANGE:ASS'Y
 201807-03 O/O

54.D3BB7144
 COVER:PUNCH:UP
 PER:ASS'Y
 201807-02

4.07200040E
 RETAINING RING -
 M4



6.11050508
 (x2)
 HARNESS CLAMP -
 LWS-0711



9.11050692
 CLAMP:LES-0503



D7067501
 [A]
 (NA):PUNCH UNIT:
 CHANGE:ASS'Y
 201807-03 O/O

7.11050623
 (x3)
 CLAMP - LBWS-02
 06S-V0



14.AW020198
 (x2)
 PHOTOINTERRUP
 TOR:LG2A14NL1

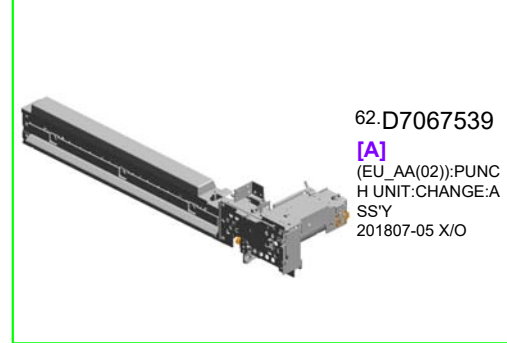


9.11050692
 CLAMP:LES-0503
 201807-11

57.D7067139
 (x2)
 SHEET:BRACKET:
 PUNCH:PCB
 201807-09

U001_S007
 (EU_AA(02)):PUNCH UNIT:CHANGE:ASS'Y

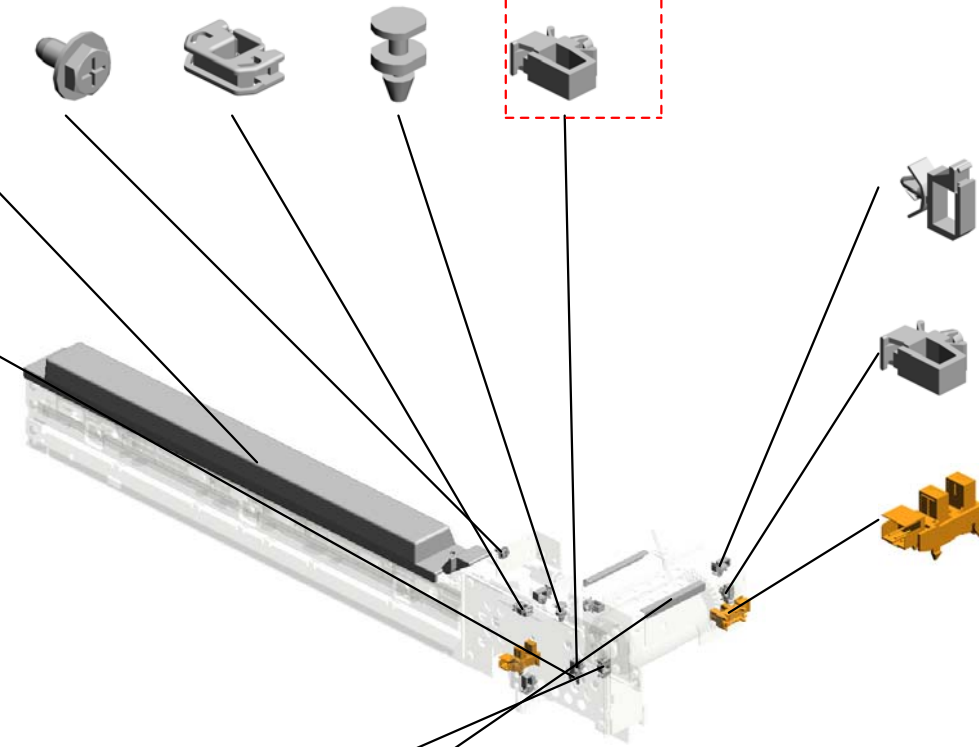
- 3.04543006Q TAPPING SCREW - M3X6
- 9.11050692 CLAMP:LES-0503
- 8.11050639 CLAMP:MPS-06-0 V0
- 7.11050623 CLAMP - LBWS-02 06S-V0 201807-12



62.D7067539
 [A]
 (EU_AA(02)):PUNC
 H UNIT:CHANGE:A
 SS'Y
 201807-05 X/O

54.D3BB7144
 COVER:PUNCH:UP
 PER:ASS'Y
 201807-02

4.07200040E
 RETAINING RING -
 M4



6.11050508
 (x2)
 HARNESS CLAMP -
 LWS-0711

9.11050692
 CLAMP:LES-0503

D7067531
 [A]
 (EU_AA(02)):PUNC
 H UNIT:CHANGE:A
 SS'Y
 201807-05 X/O

7.11050623
 (x3)
 CLAMP - LBWS-02
 06S-V0

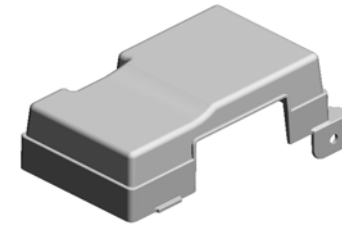
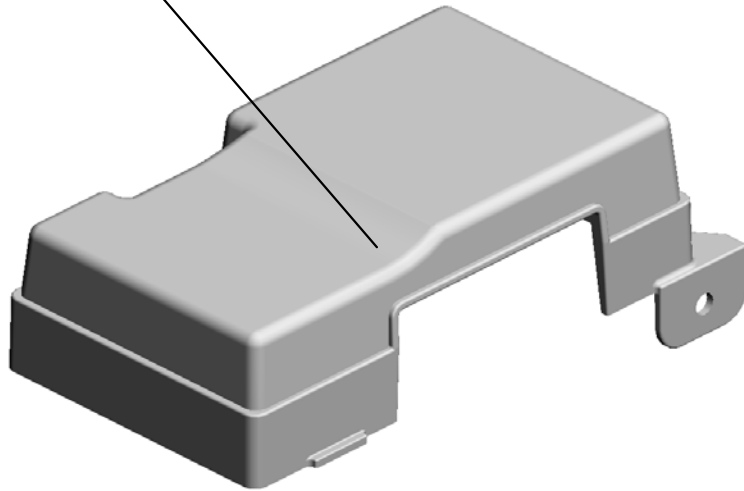
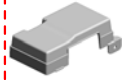
14.AW020198
 (x2)
 PHOT INTERRUPTOR:
 LG2A14NL1

9.11050692
 CLAMP:LES-0503
 201807-11

57.D7067139
 (x2)
 SHEET:BRACKET:
 PUNCH:PCB
 201807-09

U002
ACCESSORIES

3.D3BB7125
COVER:PUNCH:PC
B
201807-01



2.08050089
RETAINING RING -
M4

1.04543006Q(x14)
TAPPING SCREW - M3X6

Exclusive Parts

| Number | Part Name | Group | ID |
|-----------------|--|------------------|-----------|
| AW010143 | PHOTO REFLECTION SENSOR:PS R11TL1R-C | U001 | 13 |
| AW020198 | PHOTOINTERRUPTOR:LG2A14NL1 | U001_S001 | 14 |
| | | U001_S003 | 14 |
| | | U001_S004 | 14 |
| | | U001_S005 | 14 |
| | | U001_S006 | 14 |
| | | U001_S007 | 14 |
| B7001501 | TENSION SPRING - PRESSURE | U001 | 15 |
| B7027210 | TIMING BELT:B60S2M122 | U001_S001 | 16 |
| B8047140 | GUIDE:STAY:REGISTRATION SENSOR | U001_S003 | 17 |
| D3BB7125 | COVER:PUNCH:PCB | U002 | 3 |
| D3BB7144 | COVER:PUNCH:UPPER:ASS'Y | U001_S004 | 54 |
| | | U001_S005 | 54 |
| | | U001_S006 | 54 |
| | | U001_S007 | 54 |
| D4543634 | TIGHTENER:DIA10 | U001_S003 | 18 |
| D4543636 | TIMING BELT:40S2M672 | U001_S003 | 19 |
| D6881000 | STAY:PUNCH UNIT:SLIDE:ASS'Y | U001 | 53 |
| D6884824 | SCREW:CONTACT POINT:M3 | U001 | 20 |
| D6885151 | PUNCH:SENSOR:CONNECTING:ASS'Y | U001_S003 | 55 |
| D6885210 | PCB:PUNCH:CONTROL | U001 | 22 |
| D6887838 | DECAL:POSITIONING DISPLAY:TONER HOPPER | U001_S002 | 23 |
| D7062060 | TENSION SPRING:GUIDE PLATE:MOVE | U001 | 24 |
| D7062061 | GUIDE PLATE:UPPER:MOVE | U001 | 25 |
| D7062725 | TONER HOPPER:ASS'Y | U001_S002 | 26 |
| D7065660 | DC STEPPER MOTOR:MM42:L30 | U001_S003 | 27 |
| D7067013 | TONER HOPPER:ASS'Y | U001_S002 | 50 |
| D7067019 | BRACKET:BELT TENSIONER:ASS'Y | U001 | 30 |
| D7067023 | REGISTRATION SENSOR:MOVE:ASS'Y | U001_S003 | 31 |
| D7067051 | SHAFT:SLIDE:REGISTRATION SENSOR | U001_S003 | 32 |

| Number | Part Name | Group | ID |
|-----------------|--|------------------|-----------|
| D7067056 | COVER:HARNESS | U001_S003 | 33 |
| D7067063 | GUIDE PLATE:UPPER:EXHAUST:TONER HOPPER | U001 | 34 |
| D7067065 | BRACKET:TONER HOPPER | U001 | 35 |
| D7067066 | BRACKET:LOCK:TONER HOPPER | U001 | 36 |
| D7067067 | TENSION SPRING:LOCK:TONER HOPPER | U001 | 37 |
| D7067070 | PUNCH:PAPER CHIP:GUIDE | U001 | 38 |
| D7067071 | SHUTTER:EXHAUST:TONER HOPPER | U001 | 39 |
| D7067072 | TENSION SPRING:SHUTTER:TONER HOPPER | U001 | 40 |
| D7067077 | PINION:PUNCH UNIT:MOVE | U001_S001 | 41 |
| D7067079 | GUIDE PLATE:TRANSPORT:ENTRANCE:UPPER | U001 | 42 |
| D7067096 | GUIDE:PLATE | U001_S003 | 44 |
| D7067097 | GUIDE PLATE:LOWER:MOVE | U001_S003 | 56 |
| D7067139 | SHEET:BRACKET:PUNCH:PCB | U001_S004 | 57 |
| | | U001_S005 | 57 |
| | | U001_S006 | 57 |
| | | U001_S007 | 57 |
| D7067190 | DC STEPPER MOTOR:MM42:L30 | U001_S001 | 58 |
| D7067231 | BRACKET:PUNCH:MOVE:DC STEPPER MOTOR:ASS'Y | U001_S001 | 59 |
| D7067503 | (NA):PUNCH UNIT:CHANGE:ASS'Y | U001_S006 | 60 |
| D7067516 | (EU_AA(01)/CHN):PUNCH UNIT:CHANGE:ASS'Y | U001_S004 | 61 |
| | | U001_S005 | 61 |
| D7067539 | (EU_AA(02)):PUNCH UNIT:CHANGE:ASS'Y | U001_S007 | 62 |
| D7067993 | TIMING PULLEY:T18:S2M | U001 | 48 |
| | | U001_S003 | 48 |
| GW010007 | PHOTO REFLECTION SENSOR:EXIT | U001_S003 | 49 |

Standard Parts



03603006N
SCREW - M3X6



04503008N
TAPPING SCREW - M3X8



04543006Q
TAPPING SCREW - M3X6



07200040E
RETAINING RING - M4



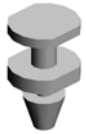
08050089
RETAINING RING - M4



11050508
HARNESS CLAMP - LWS-071
1



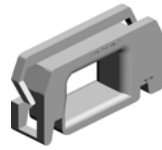
11050623
CLAMP - LBWS-0206S-V0



11050639
CLAMP:MPS-06-0 V0



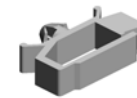
11050692
CLAMP:LES-0503



11050723
CLAMPS:WES-0507



11050758
CLAMP:LWSM-0306A



11050760
CLAMP:LWSM-0511A

Design Change List

| Number | Title | Set | Old Part | | New Part | | Index No. | | Q'ty | Interchg | | Reason | Cut-in S/N |
|-----------|-------------------|-----|----------|--|----------|--|-----------|----|------|----------|-----|--------|------------|
| | | | P/N | Name | P/N | Name | Group | ID | | Indiv. | Set | | |
| 201807-01 | 1807 Modification | - | | | D3BB7125 | COVER:PUNCH: | U002 | 3 | 1 | | | | |
| 201807-02 | 1807 Modification | - | | | D3BB7144 | COVER:PUNCH: UPPER:ASS'Y | U001_S004 | 54 | 1 | | | | |
| | | | | | | | U001_S005 | 54 | 1 | | | | |
| | | | | | | | U001_S006 | 54 | 1 | | | | |
| | | | | | | | U001_S007 | 54 | 1 | | | | |
| 201807-03 | 1807 Modification | - | D7067501 | (NA):PUNCH UNIT: CHANGE:ASS'Y | D7067503 | (NA):PUNCH UNIT: CHANGE:ASS'Y | U001_S006 | 60 | 1 | O/O | | | |
| 201807-04 | 1807 Modification | - | D7067510 | (EU_AA(01)/CHN): PUNCH UNIT:CHANGE: ASS'Y | D7067516 | (EU_AA(01)/CHN): PUNCH UNIT:CHANGE: ASS'Y | U001_S004 | 61 | 1 | X/O | | | |
| | | | D7067510 | (EU_AA(01)/CHN): PUNCH UNIT:CHANGE: ASS'Y | D7067516 | (EU_AA(01)/CHN): PUNCH UNIT:CHANGE: ASS'Y | U001_S005 | 61 | 1 | X/O | | | |
| 201807-05 | 1807 Modification | - | D7067531 | (EU_AA(02)):PUNCH UNIT:CHANGE: ASS'Y | D7067539 | (EU_AA(02)):PUNCH UNIT:CHANGE: ASS'Y | U001_S007 | 62 | 1 | X/O | | | |
| 201807-06 | 1807 Modification | A | D6885150 | PCB:PUNCH:SENSOR: CONNECTING:ASS'Y | D6885151 | PUNCH:SENSOR: CONNECTING:ASS'Y | U001_S003 | 55 | 1 | X/O | | | |
| 201807-07 | 1807 Modification | A | D7067093 | GUIDE PLATE:LOWER: MOVE | D7067097 | GUIDE PLATE:LOWER: MOVE | U001_S003 | 56 | 1 | X/O | | | |
| 201807-08 | 1807 Modification | - | D7067006 | BRACKET:PUNCH: MOVE:DC STEPPER MOTOR:ASS'Y | D7067231 | BRACKET:PUNCH: MOVE:DC STEPPER MOTOR:ASS'Y | U001_S001 | 59 | 1 | O/O | | | |
| 201807-09 | 1807 Modification | - | | | D7067139 | SHEET:BRACKET: PUNCH:PCB | U001_S004 | 57 | 1 | | | | |
| | | | | | D7067139 | SHEET:BRACKET: PUNCH:PCB | U001_S004 | 57 | 1 | | | | |

Design Change List

| Number | Title | Set | Old Part | | New Part | | Index No. | | Q'ty | Interchg | | Reason | Cut-in S/N |
|-----------|-------------------|-----|----------|-------------------------------|----------|---------------------------------|-----------|----|------|----------|-----|--------|------------|
| | | | P/N | Name | P/N | Name | Group | ID | | Indiv. | Set | | |
| | | - | | | D7067139 | SHEET:BRACKE T:PUNCH:PCB | U001_S005 | 57 | 1 | | | | |
| | | | | | D7067139 | SHEET:BRACKE T:PUNCH:PCB | U001_S005 | 57 | 1 | | | | |
| | | | | | D7067139 | SHEET:BRACKE T:PUNCH:PCB | U001_S006 | 57 | 1 | | | | |
| | | | | | D7067139 | SHEET:BRACKE T:PUNCH:PCB | U001_S006 | 57 | 1 | | | | |
| | | | | | D7067139 | SHEET:BRACKE T:PUNCH:PCB | U001_S007 | 57 | 1 | | | | |
| | | | | | D7067139 | SHEET:BRACKE T:PUNCH:PCB | U001_S007 | 57 | 1 | | | | |
| 201807-10 | 1807 Modification | - | D7065660 | DC STEPPER M OTOR:MM42:L30 | D7067190 | DC STEPPER M OTOR:MM42:L30 | U001_S001 | 58 | 1 | O/O | | | |
| 201807-11 | 1807 Modification | - | | | 11050692 | CLAMP:LES-0503 | U001_S004 | 9 | 1 | | | | |
| | | | | | 11050692 | CLAMP:LES-0503 | U001_S005 | 9 | 1 | | | | |
| | | | | | 11050692 | CLAMP:LES-0503 | U001_S006 | 9 | 1 | | | | |
| | | | | | 11050692 | CLAMP:LES-0503 | U001_S007 | 9 | 1 | | | | |
| 201807-12 | 1807 Modification | - | | | 11050623 | CLAMP - LBWS-0 206S-V0 | U001_S004 | 7 | 1 | | | | |
| | | | | | 11050623 | CLAMP - LBWS-0 206S-V0 | U001_S005 | 7 | 1 | | | | |
| | | | | | 11050623 | CLAMP - LBWS-0 206S-V0 | U001_S006 | 7 | 1 | | | | |
| | | | | | 11050623 | CLAMP - LBWS-0 206S-V0 | U001_S007 | 7 | 1 | | | | |
| 201803-01 | 1803 Modification | - | | | D6881000 | STAY:PUNCH UN IT:SLIDE:ASS'Y | U001 | 53 | 1 | | | | |
| 201802-01 | 1802 Modification | - | D7067011 | HOPPER:PAPER CHIP:ASS'Y | D7067013 | TONER HOPPER :ASS'Y | U001_S002 | 50 | 1 | X/O | | | |

Design Change List

| Number | Title | Set | Old Part | | New Part | | Index No. | | Q'ty | Interchg | | Reason | Cut-in S/N |
|-----------|-------------------|-----|----------|-------------------------------------|----------|-------------------------------------|-----------|----|------|----------|-----|--------|------------|
| | | | P/N | Name | P/N | Name | Group | ID | | Indiv. | Set | | |
| 201802-02 | 1802 Modification | - | D7067500 | (NA):PUNCH UNIT:CHANGE:ASS'Y | D7067501 | (NA):PUNCH UNIT:CHANGE:ASS'Y | U001 | 51 | 1 | X/O | | | |
| 201802-03 | 1802 Modification | - | D7067530 | (EU_AA(02)):PUNCH UNIT:CHANGE:ASS'Y | D7067531 | (EU_AA(02)):PUNCH UNIT:CHANGE:ASS'Y | U001 | 52 | 1 | X/O | | | |

