

# SAPPHIRE (C235)

## PARTS CATALOG



First edition, January 2001

Ricoh Company, LTD.

**SAPPHIRE (C235)**

**PARTS CATALOG**

This catalog gives the numbers and names of parts on this machine.

**CONTENTS**

SAPPHIRE	(C235)
Document Feeder	(C600)

SAPPHIRE (C235)

# SAPPHIRE (C235)

## PARTS CATALOG

This catalog gives the numbers and names of parts on this machine.

### CONTENTS

<b>Location of Unit .....</b>	<b>2</b>	18. Paper Exit Section 1 (C235) .....	44
1. Exterior 1 (C235) .....	10	19. Paper Exit Section 2 (C235) .....	46
2. Exterior 2 (C235) .....	12	20. Delivery Table 1 (C235) .....	48
3. Operation Panel (C235) .....	14	21. Delivery Table 2 (C235) .....	50
4. Platen Cover (C235) .....	16	22. Drum Unit 1 (C235) .....	52
5. Frame Section 1 (C235) .....	18	23. Drum Unit 2 (C235) .....	54
6. Frame Section 2 (C235) .....	20	24. Drum Unit 3 (C235) .....	56
7. Drive Section 1 (C235) .....	22	25. Drum Unit 4 (C235) .....	58
8. Drive Section 2 (C235) .....	24	26. Drum Unit 5 (C235) .....	60
9. Drive Section 3 (C235) .....	26	27. Scanner Unit 1 (C235) .....	62
10. Paper Feed Section 1 (C235) .....	28	28. Scanner Unit 2 (C235) .....	64
11. Paper Feed Section 2 (C235) .....	30	29. Scanner Unit 3 (C235) .....	66
12. Paper Feed Section 3 (C235) .....	32	30. Plotter Unit 1 (C235) .....	68
13. Paper Feed Section 4 (C235) .....	34	31. Plotter Unit 2 (C235) .....	70
14. Paper Feed Section 5 (C235) .....	36	32. Plotter Unit 3 (C235) .....	72
15. Pressure Cylinder 1 (C235) .....	38	33. Plotter Unit 4 (C235) .....	74
16. Pressure Cylinder 2 (C235) .....	40	34. Master Eject 1 (C235) .....	76
17. Pressure Cylinder 3 (C235) .....	42	35. Master Eject 2 (C235) .....	78

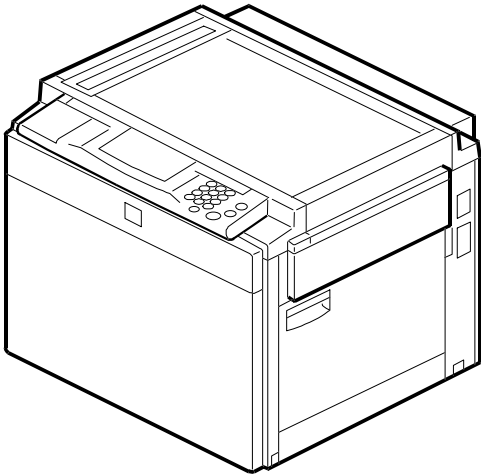
January ,25 ' 2001

## CONTENTS (Continued)

36. Master Eject 3 (C235) .....	80
37. Electrical Section 1 (C235).....	82
38. Electrical Section 2 (C235).....	84
39. MPU Board (C235).....	86
40. I/O Control Board (C235) .....	90
41. Table & Color Drum (C235).....	94
42. Decals & Documents (C235).....	96
43. Special Tools (C235).....	98
<b>Parts Index .....</b>	<b>103</b>

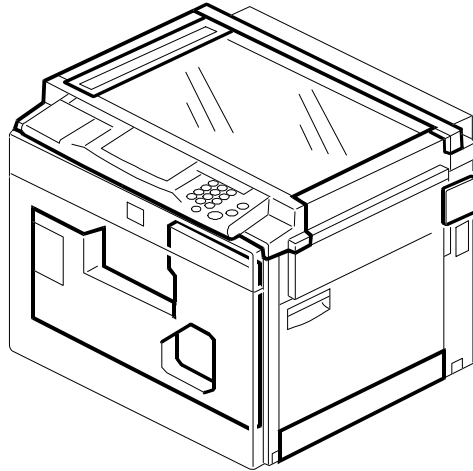
## LOCATIONS OF UNITS

1. Exterior 1 (C235)



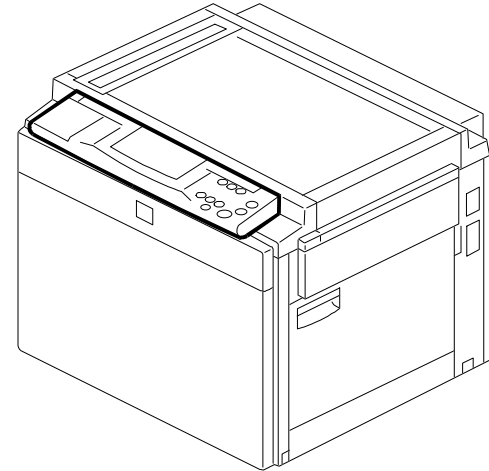
See Page 11

2. Exterior 2 (C235)



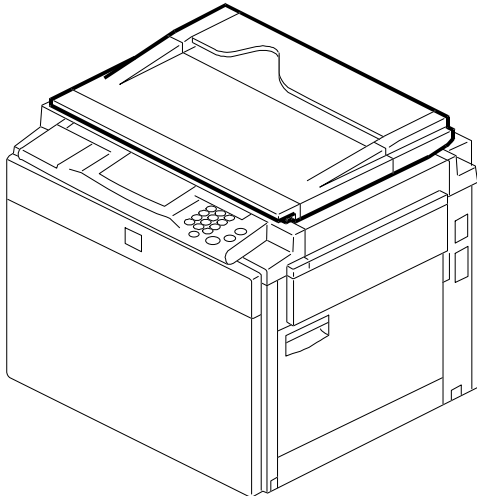
See Page 13

3. Operation Panel (C235)



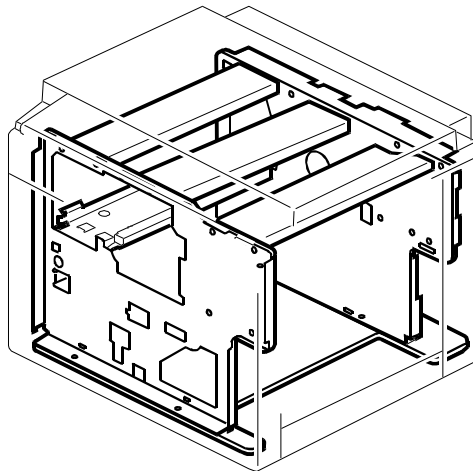
See Page 15

4. Platen Cover (C235)



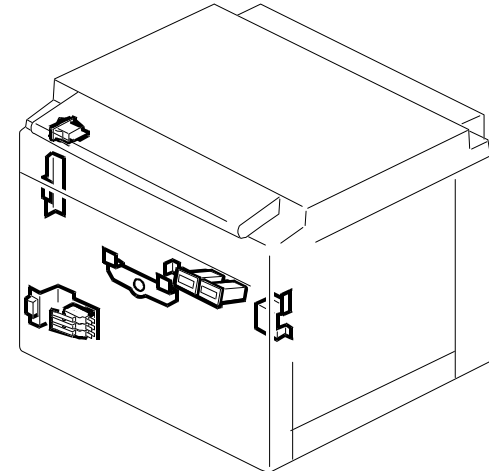
See Page 17

5. Frame Section 1 (C235)



See Page 19

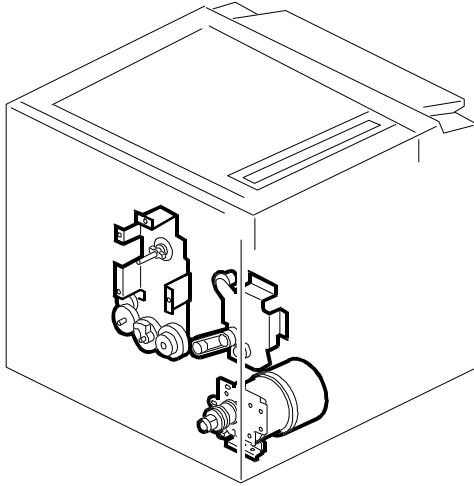
6. Frame Section 2 (C235)



See Page 21

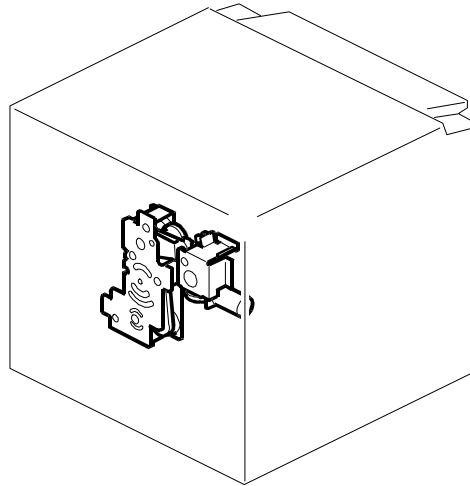
## LOCATIONS OF UNITS

7. Drive Section 1 (C235)



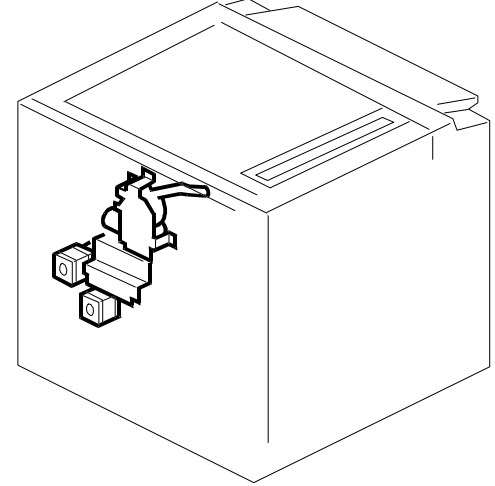
See Page 23

8. Drive Section 2 (C235)



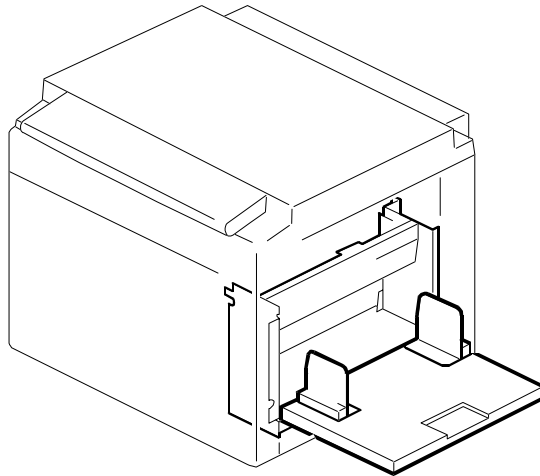
See Page 25

9. Drive Section 3 (C235)



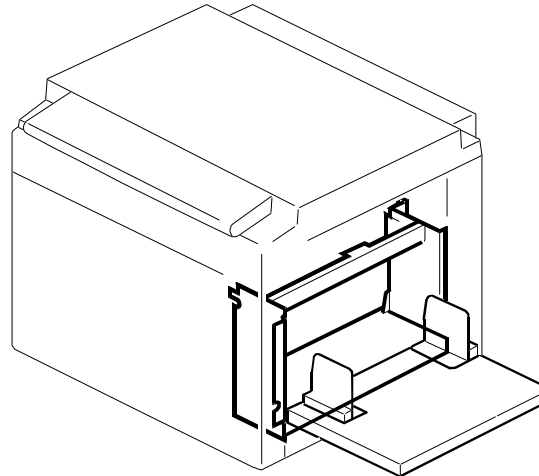
See Page 27

10. Paper Feed Section 1 (C235)



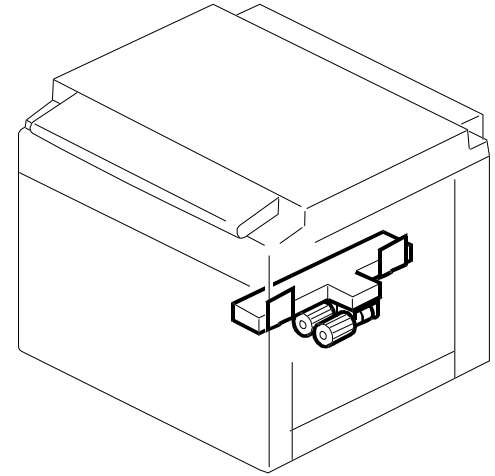
See Page 29

11. Paper Feed Section 2 (C235)



See Page 31

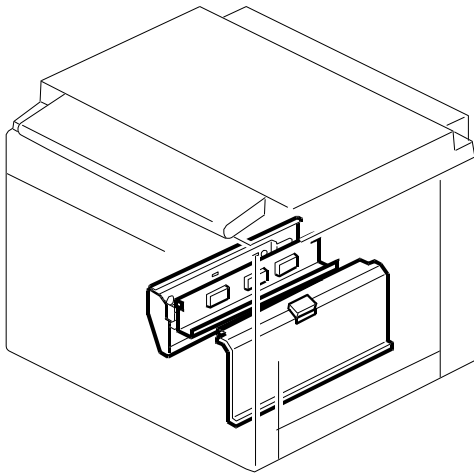
12. Paper Feed Section 3 (C235)



See Page 33

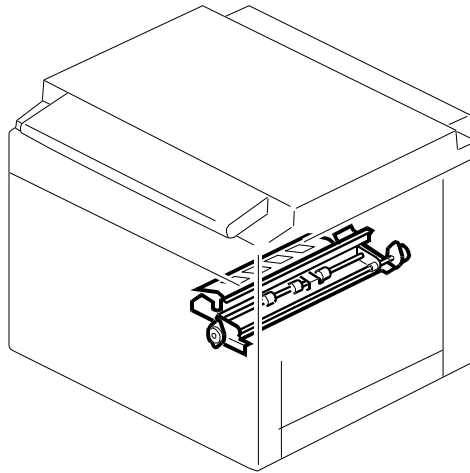
## LOCATIONS OF UNITS

13. Paper Feed Section 4 (C235)



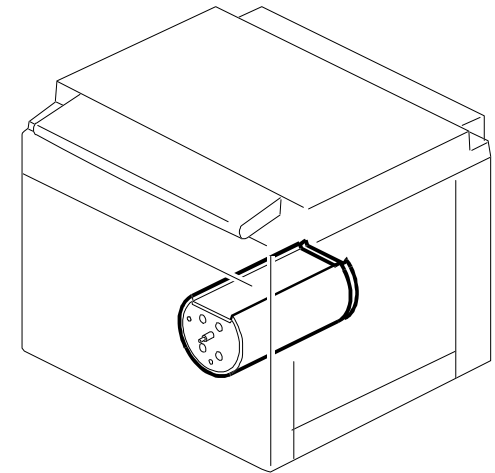
See Page 35

14. Paper Feed Section 5 (C235)



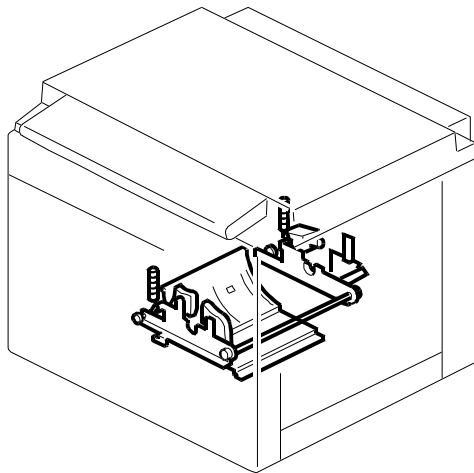
See Page 37

15. Pressure Cylinder 1 (C235)



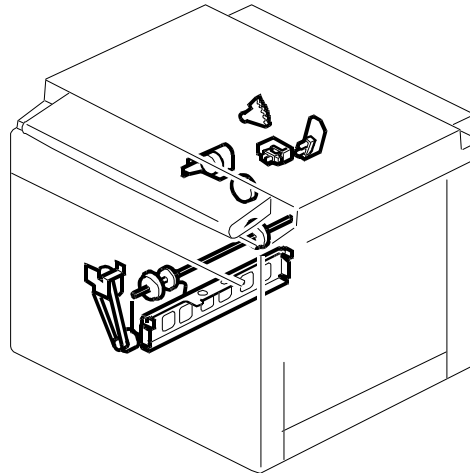
See Page 39

16. Pressure Cylinder 2 (C235)



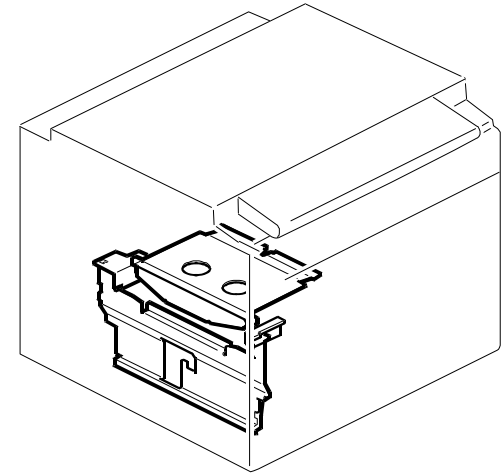
See Page 41

17. Pressure Cylinder 3 (C235)



See Page 43

18. Paper Exit Section 1 (C235)

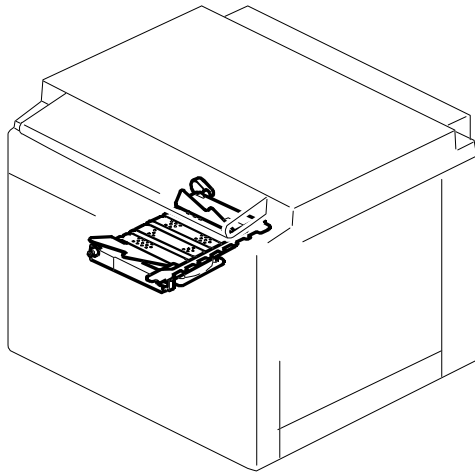


See Page 45



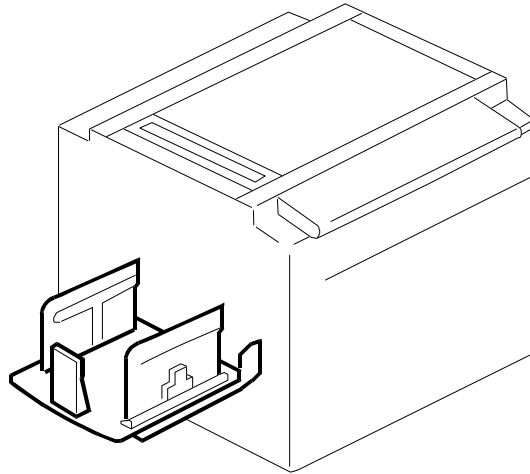
## LOCATIONS OF UNITS

19. Paper Exit Section 2 (C235)



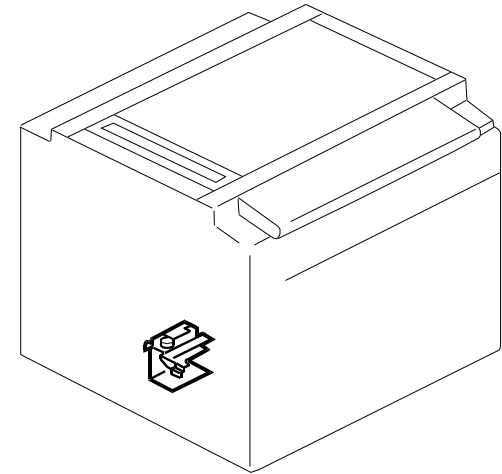
See Page 47

20. Delivery Table 1 (C235)



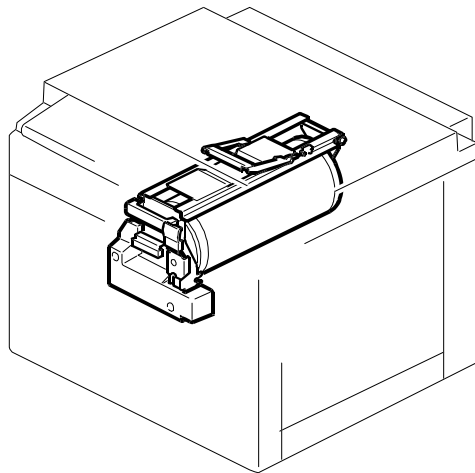
See Page 49

21. Delivery Table 2 (C235)



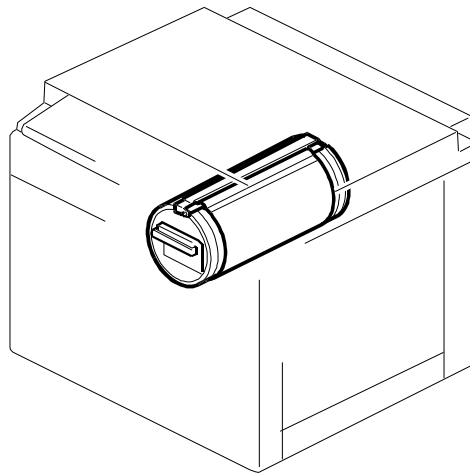
See Page 51

22. Drum Unit 1 (C235)



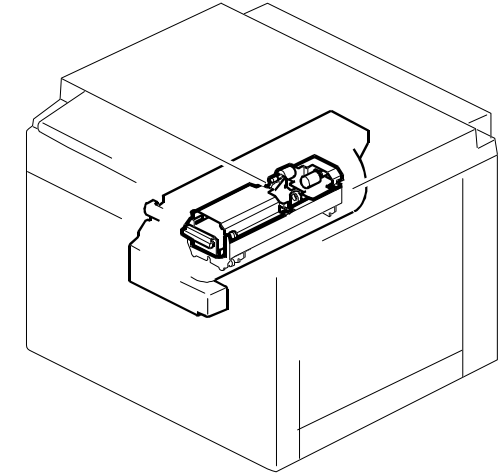
See Page 53

23. Drum Unit 2 (C235)



See Page 55

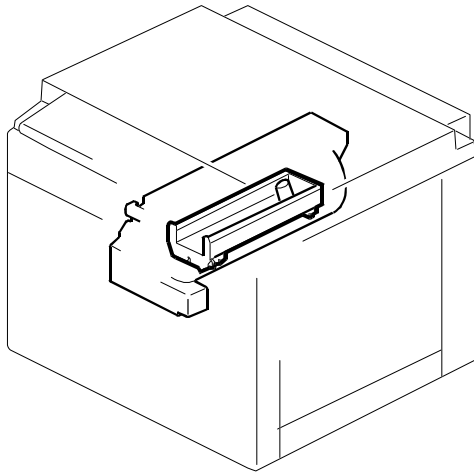
24. Drum Unit 3 (C235)



See Page 57

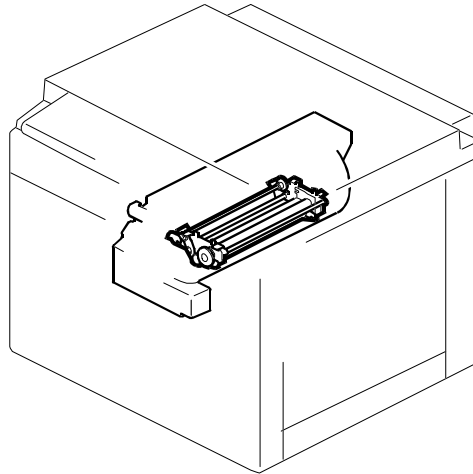
## LOCATIONS OF UNITS

25. Drum Unit 4 (C235)



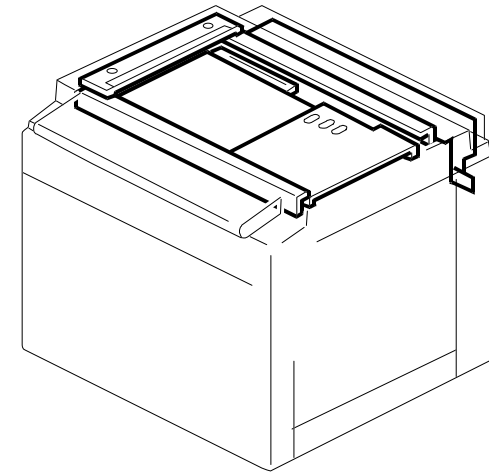
See Page 59

26. Drum Unit 5 (C235)



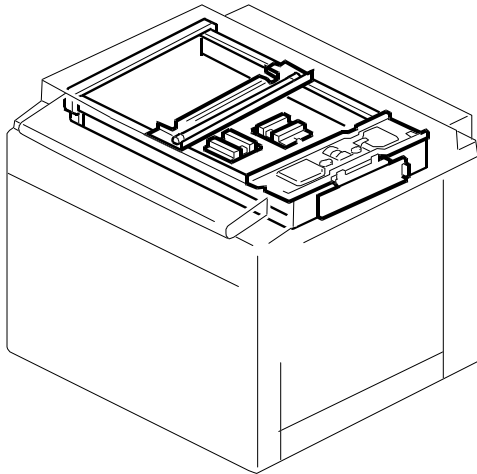
See Page 61

27. Scanner Unit 1 (C235)



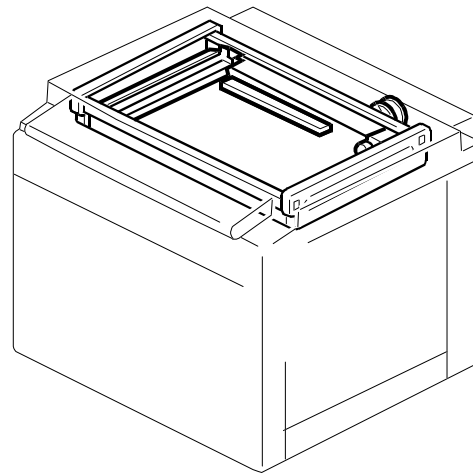
See Page 63

28. Scanner Unit 2 (C235)



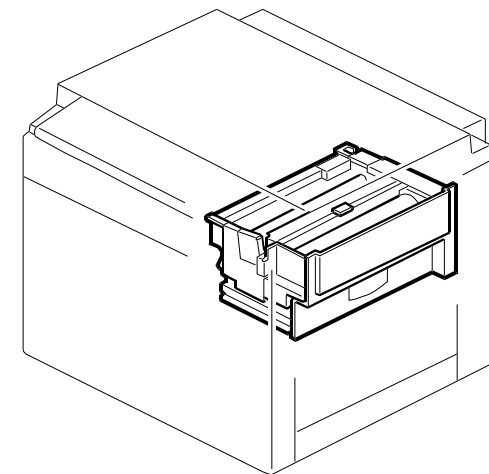
See Page 65

29. Scanner Unit 3 (C235)



See Page 67

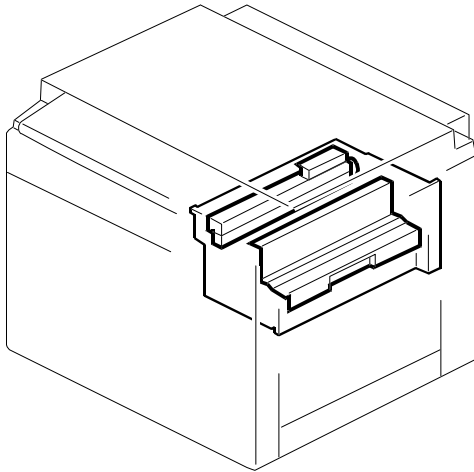
30. Plotter Unit 1 (C235)



See Page 69

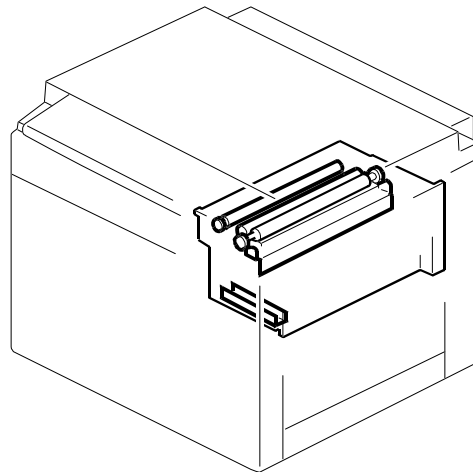
## LOCATIONS OF UNITS

31. Plotter Unit 2 (C235)



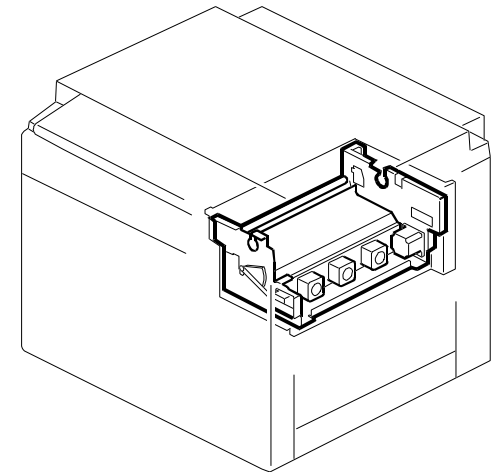
See Page 71

32. Plotter Unit 3 (C235)



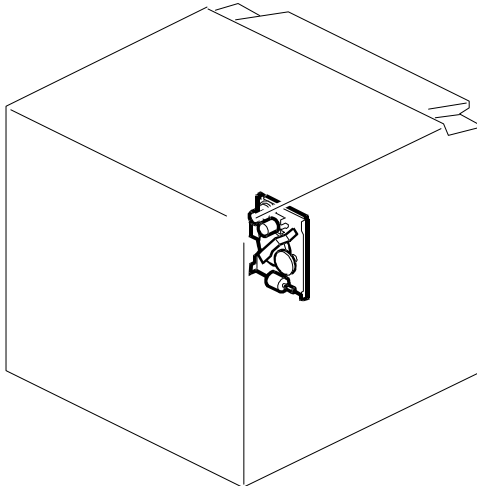
See Page 73

33. Plotter Unit 4 (C235)



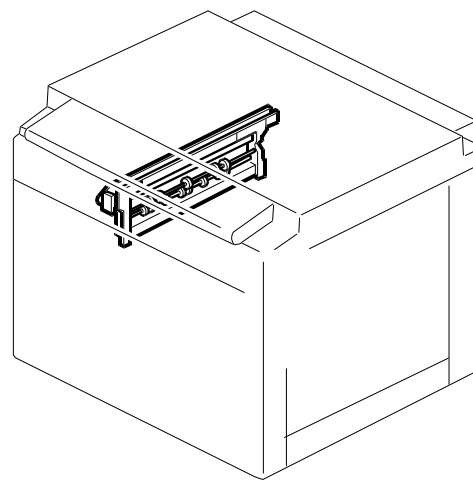
See Page 75

34. Master Eject 1 (C235)



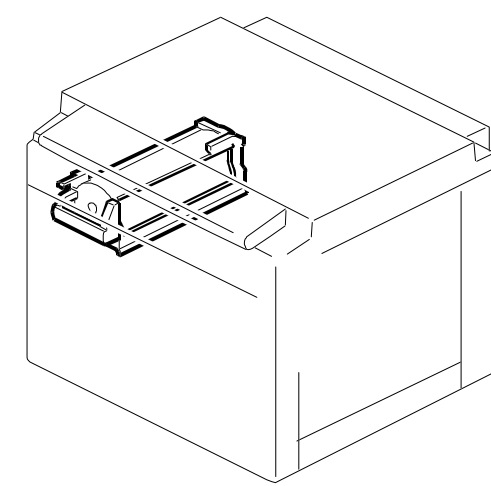
See Page 77

35. Master Eject 2 (C235)



See Page 79

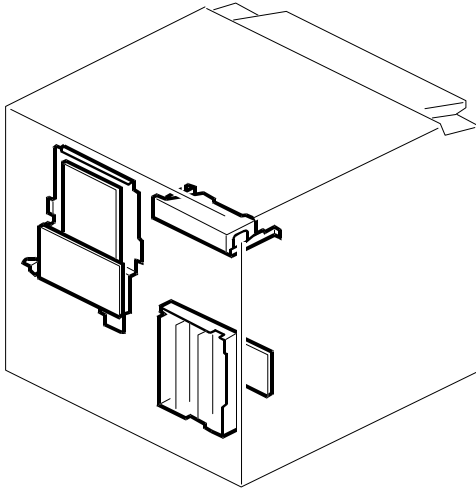
36. Master Eject 3 (C235)



See Page 81

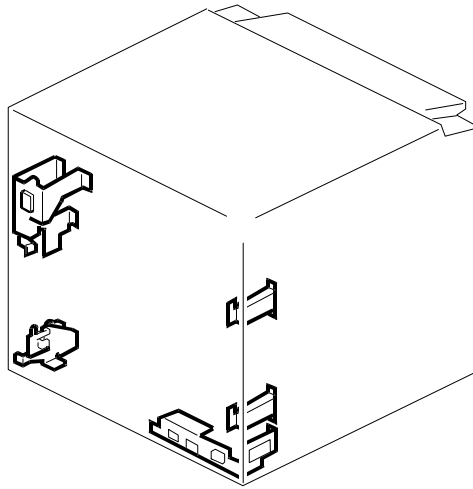
## LOCATIONS OF UNITS

37. Electrical Section 1 (C235)



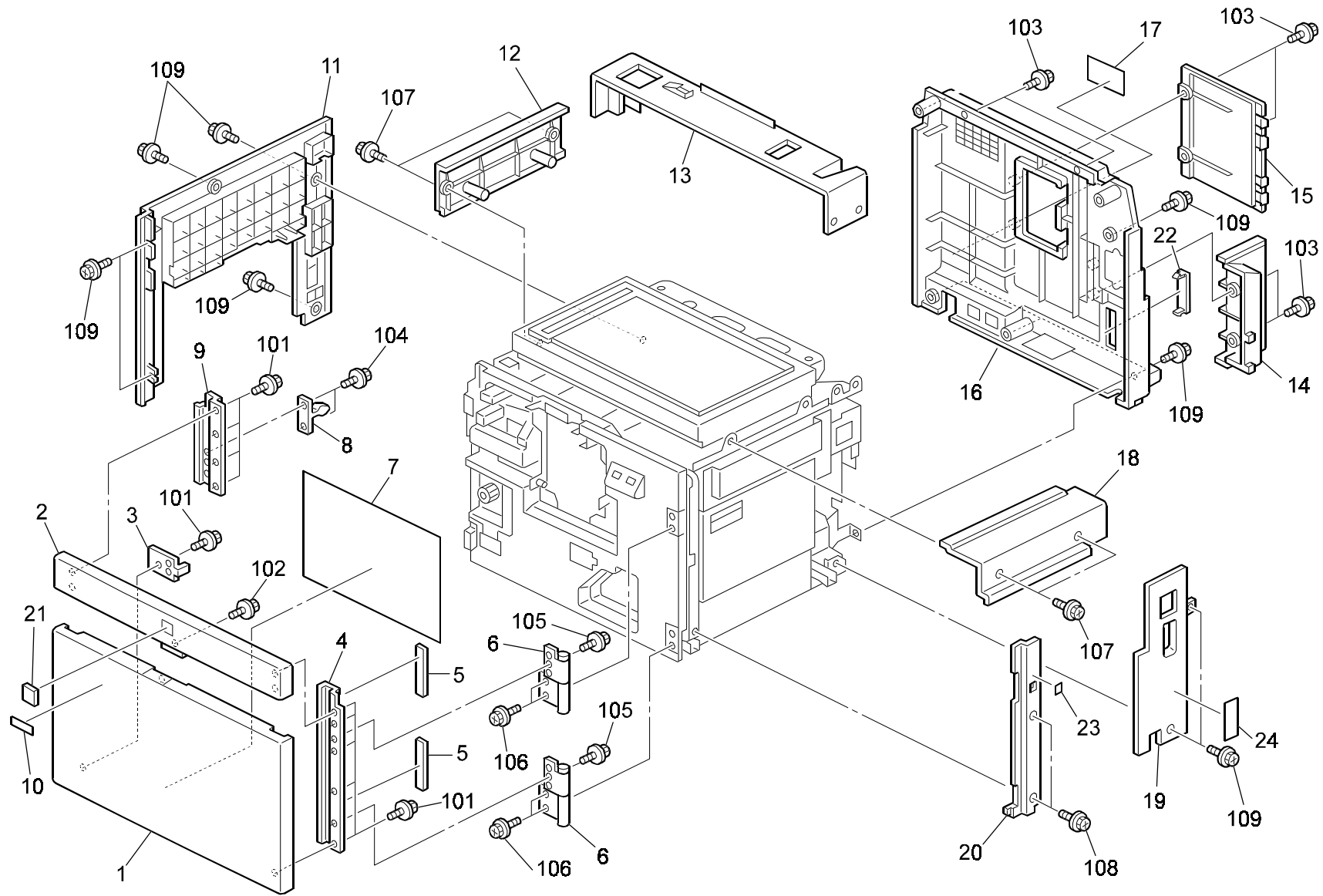
See Page 83

38. Electrical Section 2 (C235)



See Page 85

# 1. Exterior 1 (C235)

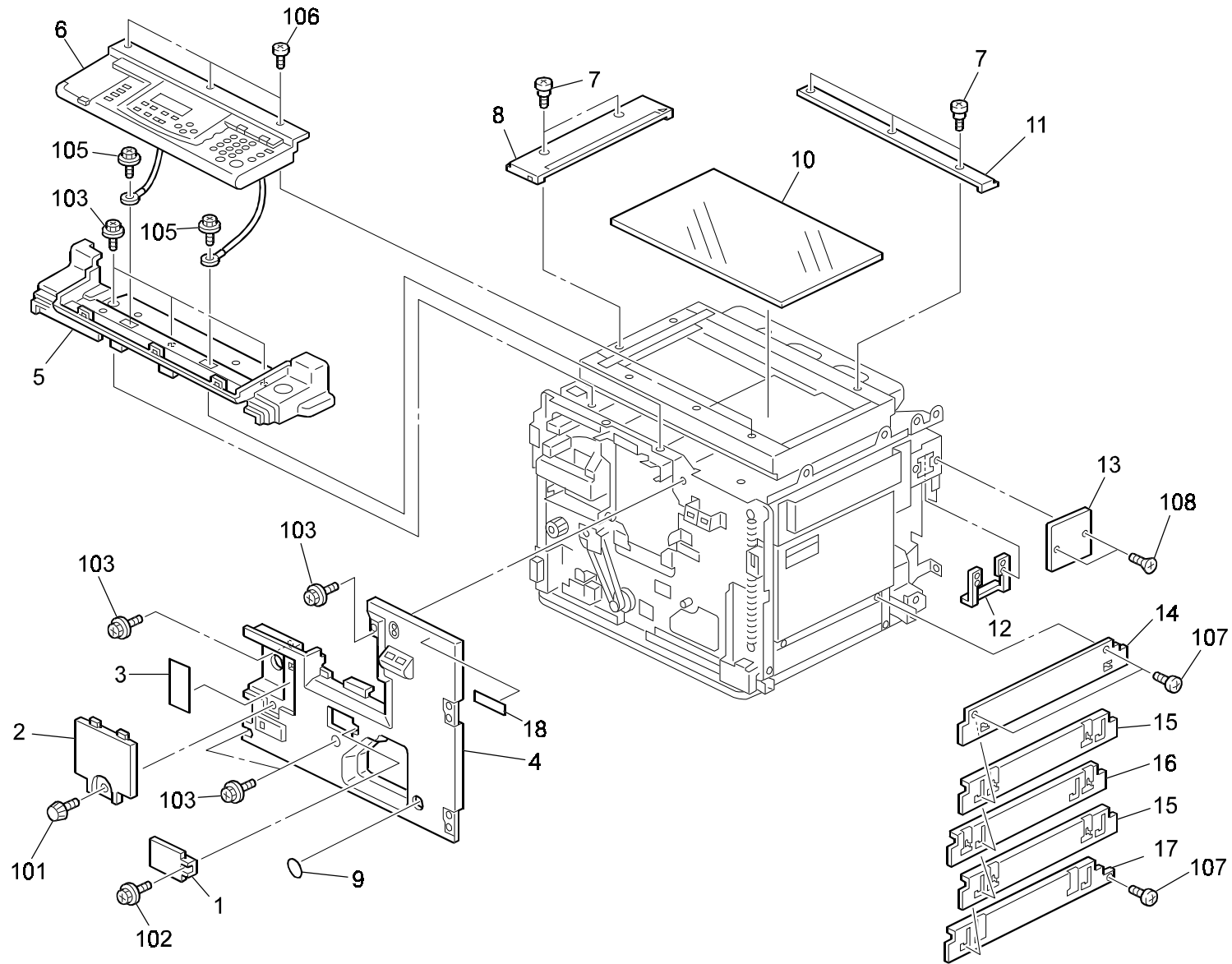


## 1. Exterior 1 (C235)

Index No.	Part No.	Description	Q'ty Per Assembly
1	C229 1253	Door Cover	1
2	C235 1301	Upper Door Cover (RIC)	1
2	C229 1309	Upper Door Cover (OEM)	1
3	C229 1264	Safety Switch Bracket	1
4	C229 1258	Door Support Plate	1
5	C229 1254	Cushion - Front Door	2
6	C229 1260	Door Hinge Ass'y	2
7	C229 1350	Operation Sheet	1
8	A659 1272	Door Catch	1
9	C229 1259	Door Catch Bracket	1
10	C235 1341	Model Name Plate - GES	1
10	C235 1342	Model Name Plate - REX	1
10	C235 1343	Model Name Plate - NS	1
10	C235 1344	Model Name Plate - SVN	1
11	C229 1276	Left Cover	1
12	C236 1297	Scanner Left Cover	1
13	C236 1295	Rear Upper Cover	1
14	C236 1291	Cap - Interface Board	1
15	C236 1290	IC Card Cap - Control Board	1
16	C236 1280	Rear Cover	1
17	A296 6689	Decal - Earth	1
18	C236 1296	Scanner Right Cover	1
19	C229 1270	Rear Right Cover	1
20	C229 1266	Front Right Cover	1
21	C226 2740	Emblem	1
22	C217 2454	Rear Cover Cap- Large	1
23	C229 1354	Decal Paper Feed	1
24	C229 1359	Caution Decal	1

Index No.	Part No.	Description	Q'ty Per Assembly
101	0450 4008B	Tapping Screw - 4x8	
102	0450 4010B	Tapping Screw - 4x10	
103	0450 3008H	Tapping Screw M3x8	
104	0453 3006B	Tapping Screw - M3x6	
105	0451 4008B	Philips Tapping Screw - M4x8	
106	0451 4010B	Tapping Screw - 4x10	
107	0451 3008H	Tapping Screw - M3x8	
108	0451 4006H	Tapping Screw - M4x6	
109	0451 4008H	Tapping Screw - 4x8	

## 2. Exterior 2 (C235)



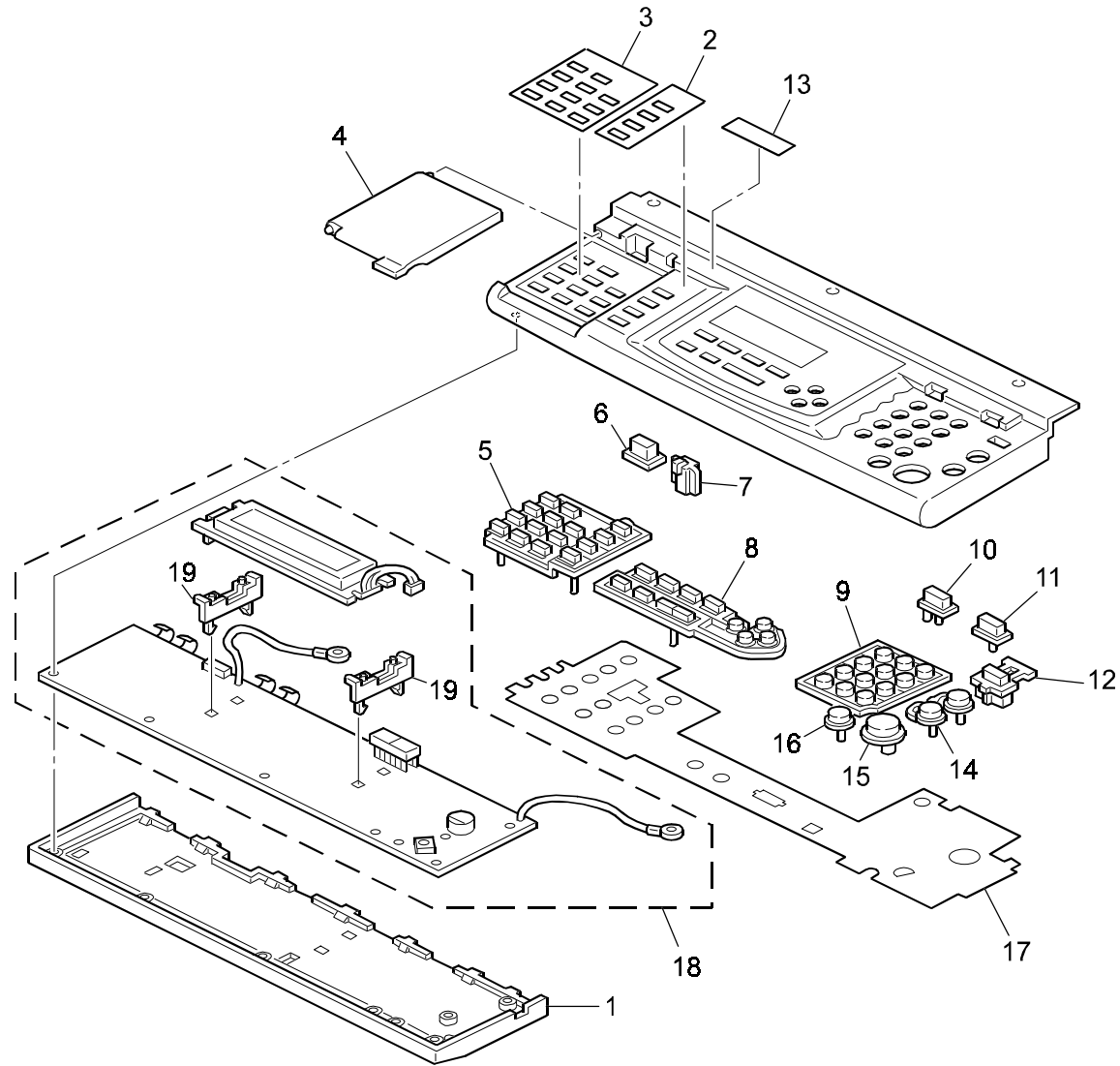
## 2. Exterior 2 (C235)

Index No.	Part No.	Description	Q'ty Per Assembly
1	C229 1289	Small Cap	1
2	C229 1288	Knob Cover - Cylinder Cleaning	1
3	C229 1356	Decal - Cylinder Operation	1
4	C229 1299	Inner Cover	1
5	C236 1265	Lower Panel Cover	1
6	C235 1456	Operation Panel Ass'y (NA)	1
6	C235 1457	Operation Panel Ass'y (EU)	1
7	A193 1759	Stepped Screw	2
8	A250 1670	Left Scale	1
9	C229 1294	Inner Cover Seal	1
10	A250 1752	Exposure Glass	1
11	A250 1701	Rear Scale	1
12	A030 1339	Plate Nut - Key Counter	1
13	C217 2455	Key Counter Cover	1
14	C229 2766	Upper Shield Plate	1
15	C229 2764	Lower Shield Plate A	2
16	C229 2765	Lower Shield Plate B	1
17	C229 2763	Lower Shield Plate	1
18	C233 1290	Decal - Caption LED	1


Index No.	Part No.	Description	Q'ty Per Assembly
101	0804 6058	Knob Screw	
102	0450 3008W	Philips Tapping Screw - M3x8	
103	0451 4008H	Tapping Screw - 4x8	
104	0451 4006B	Tapping Screw - 4x6	
105	0451 3006B	Tapping Screw - M3x6	
106	0353 0040Z	Binding Head Screw M3x4 (100pcs)	
107	0453 4006H	Tapping Screw - M4x6	
108	0323 0100Z	Philips Sunken Head Screw - M3x10	



### 3. Operation Panel (C235)

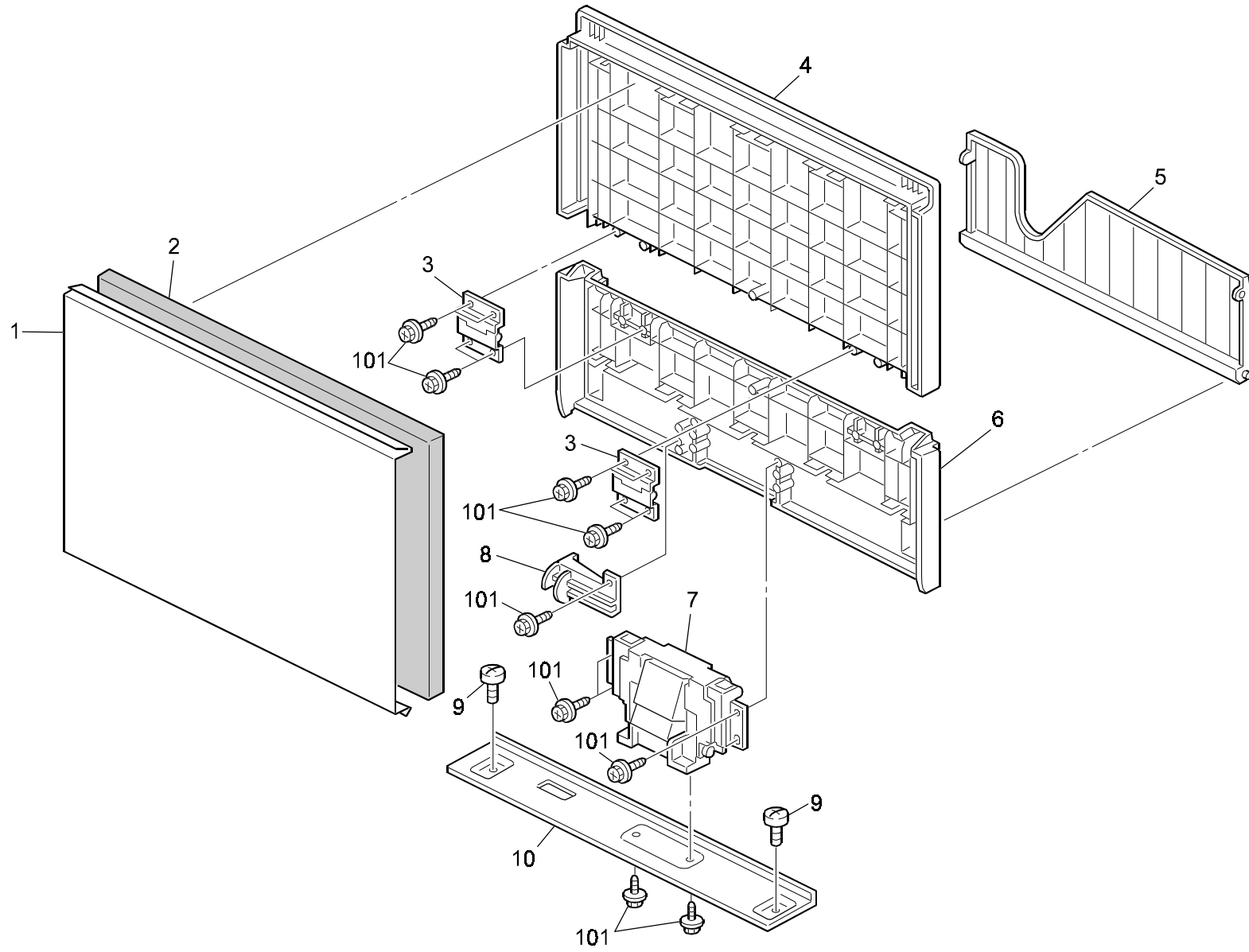


### 3. Operation Panel (C235)

Index No.	Part No.	Description	Q'ty Per Assembly
1	C229 1473	Operation Panel Lower Case	1
2	C235 1512	Sheet - On Line (NA)	1
2	C235 1515	On Line Sheet (EU)	1
3	C235 1513	Sheet - Behind (NA)	1
3	C235 1516	Behind Sheet (EU)	1
4	C229 1472	Cover Behind	1
5	C229 1490	Key-top Behind	1
6	C229 1488	Key-top Initialize	1
7	C229 1474	LED Display	1
8	C229 1489	Key-top Display Monitor	1
9	C229 1484	Key-top 10 Key	1
10	C229 1487	Key-top Program	1
11	C229 1483	Key-top Proof	1
12	C229 1485	Key-top Auto Cycle	1
13	C225 2866	Decal - Keytop Cover	1
13	C225 2867	Decal - Keytop Cover	1
13	A153 6409	Decal - Keytop Cover	1
14	C229 1482	Key-top Start	1
15	C229 1480	Key-top Start	1
16	C229 1481	Key-top Stop	1
17	C229 1509	Dust Protection Sheet	1
18	C236 5160	Operation Panel Board	1
19	C229 1508	LCD Spacer	2
			

Index No.	Part No.	Description	Q'ty Per Assembly

## 4. Platen Cover (C235)



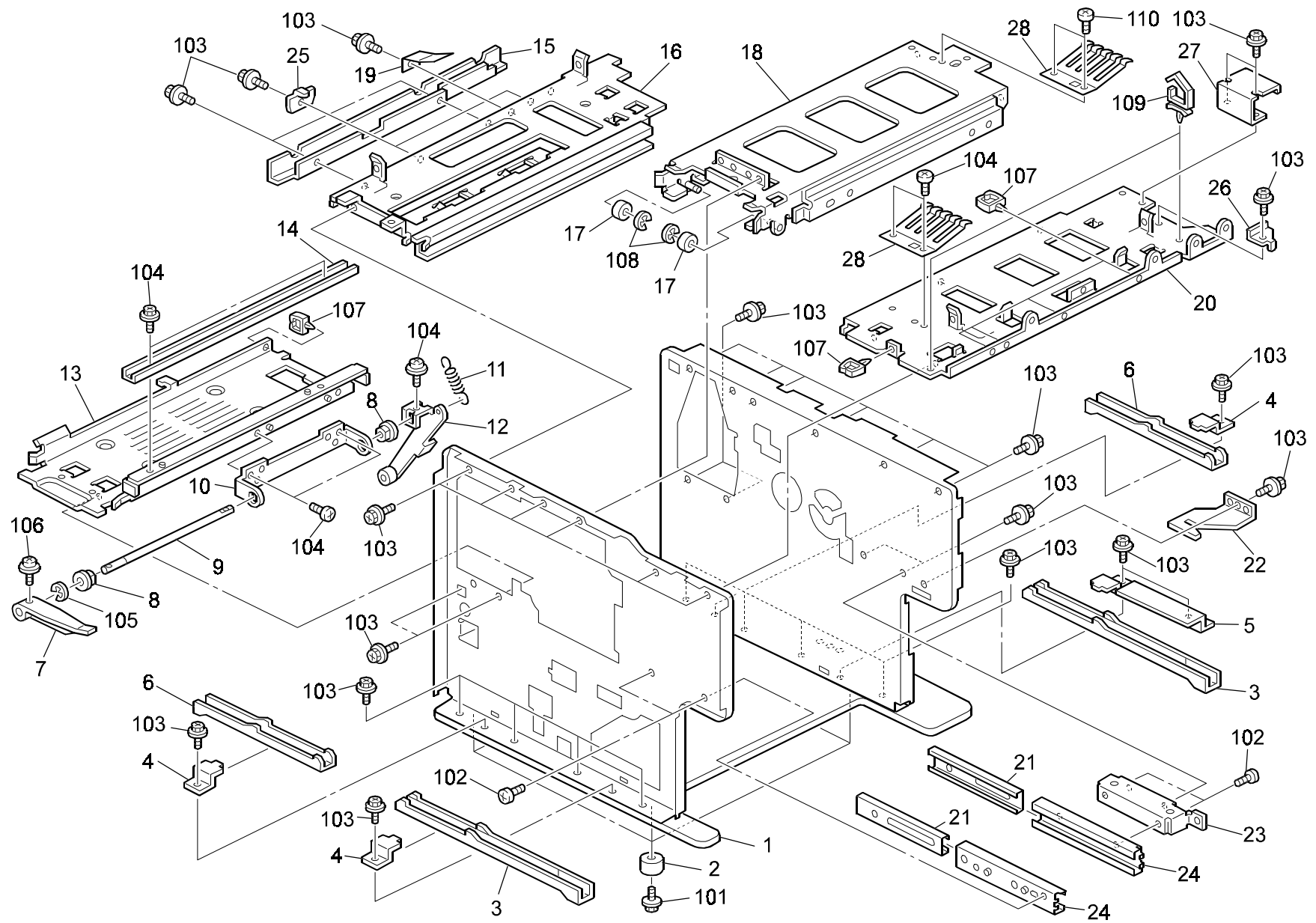
#### 4. Platen Cover (C235)

Index No.	Part No.	Description	Q'ty Per Assembly
1	5448 2804	Platen Cover Sheet	1
2	AA16 2067	Platen Cover Pad	1
3	A053 1957	Flex Hinge - Platen Cover	2
4	A193 1386	Front Platen Cover	1
5	A193 1396	Original Holder	1
6	A193 1391	Rear Platen Cover	1
7	A193 1248	Platen Cover Hinge Assembly	1
8	A250 1384	Feeler - Platen Cover	1
9	A548 6121	Screw - M4	2
10	A250 1383	Bracket - Platen Cover	1

Index No.	Part No.	Description	Q'ty Per Assembly
101	0450 4012B	Tapping Screw - M4x12	



## 5. Frame Section 1 (C235)

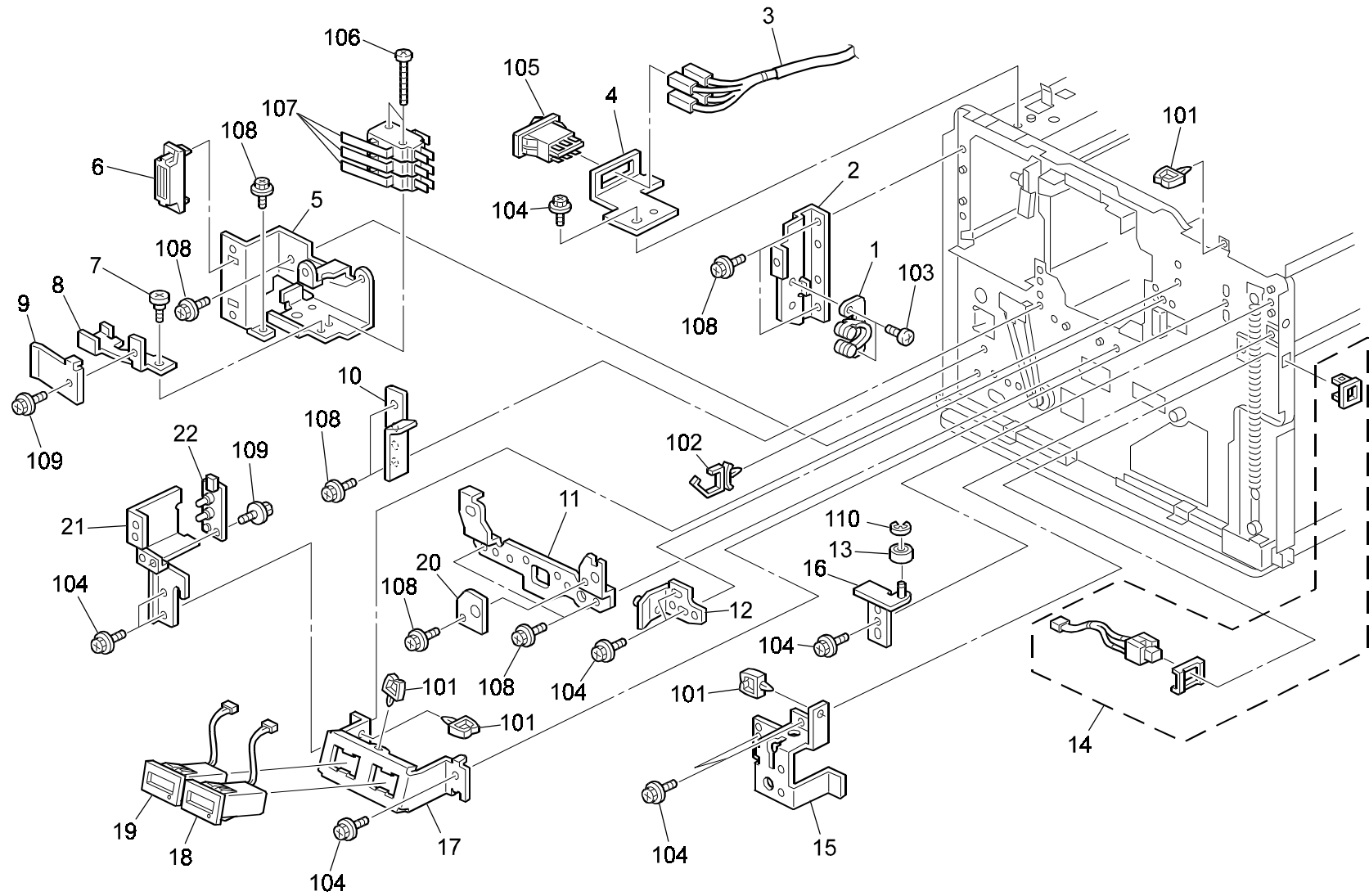


## 5. Frame Section 1 (C235)

Index No.	Part No.	Description	Q'ty Per Assembly
1	C229 1050	Base	1
2	C229 1096	Stand M28	2
3	C229 1070	Grip Plate - Long	2
4	C229 1072	Grip Guide Bracket	3
5	C229 1073	Right Grip Cover - Inner Rear	1
6	C229 1071	Grip Plate - Short	2
7	C236 3978	Exit Pawl	1
8	5053 0223	Bushing - 8mm	2
9	C229 3977	Paper Exit Pawl Shaft	1
10	C229 3973	Paper Exit Pawl Bracket	1
11	C229 3975	Paper Exit Pawl Spring	1
12	C229 3968	Paper Exit Pawl Lever	1
13	C229 3597	Lower Stay	1
14	C229 3596	Lower Guide Stay - Transfer Roller	1
15	C229 1078	Harness Cover	1
16	C236 3570	Upper Stay	1
17	C229 2615	Slide Rail Roller	2
18	C236 2611	Rail	1
19	C229 5638	Grounding Plate	1
20	C236 1080	Scanner Right Stay	1
21	C229 2276	Middle Plotter Rail	2
22	C229 2264	Rear Stopper - Plotter	1
23	C229 2277	Plotter Rail Bracket	1
24	C229 2275	Plotter Rail	2
25	C236 1861	Left Guide Plate	2
26	C236 1862	Hinge Spacer	1
27	C229 5636	Flat Cable Bracket	1
28	A267 1089	Grounding Plate - Upper Rear	2

Index No.	Part No.	Description	Q'ty Per Assembly
101	0451 4010B	Tapping Screw - 4x10	
102	0801 1004	Screw - M4X4	
103	0451 4006B	Tapping Screw - 4x6	
104	0451 3006B	Tapping Screw - M3x6	
105	0720 0060E	Retaining Ring - M6	
106	0951 3006Z	Philips Screw With Flat Washer - M3	
107	1105 0199	Clamp	
108	0720 0040E	Retaining Ring - M4	
109	1105 0310	Harness Clamp - LWS-1S	
110	0353 0040Z	Binding Head Screw M3x4 (100pcs)	

## 6. Frame Section 2 (C235)



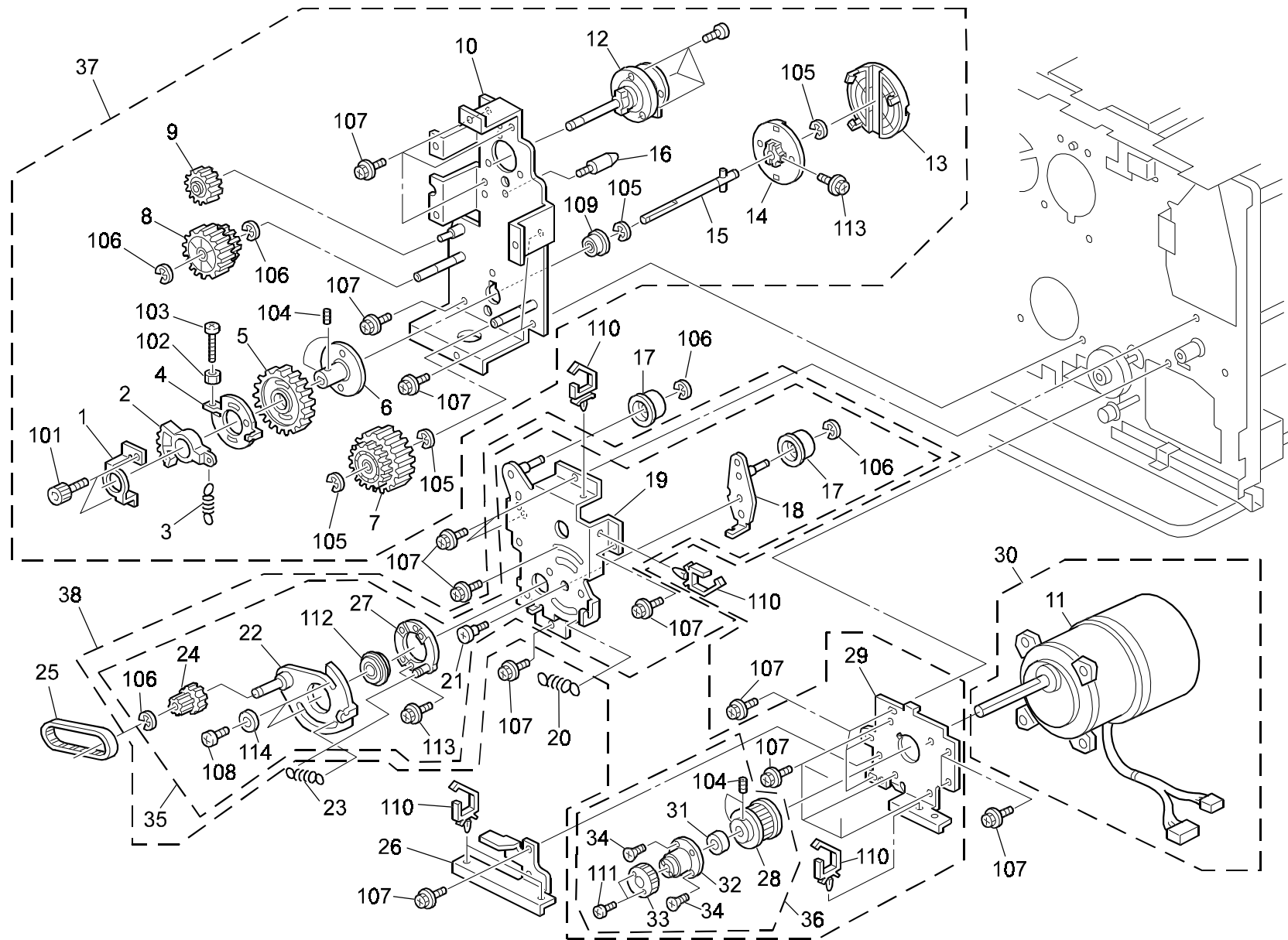
## 6. Frame Section 2 (C235)

Index No.	Part No.	Description	Q'ty Per Assembly
1	AG07 1009	Rotary Catch	1
2	C229 1272	Left Cover Bracket	1
3	C236 5216	Main Switch Harness	1
4	C229 5631	Main Switch Bracket	1
5	C229 5644	Safety Switch Bracket	1
6	AG07 1010	Magnet Catch	1
7	AA14 3005	Stepped Screw - M4x2.5	1
8	C229 5645	Safety Switch Lever	1
9	C229 5646	Safety Switch Spring	1
10	C236 2620	Bracket - Drum Left	1
11	C233 2625	Drum Position Plate	1
12	C229 2616	Right Drum Lock Pin	1
13	C229 2281	Master Tension Roller	1
14	C209 8288	Table Down Switch	1
15	C229 1290	Upper Right Support Plate	1
16	C229 2279	Tension Bracket	1
17	C229 5614	Total Counter Bracket	1
18	C229 5812	Print Counter	1
19	AX31 0024	Total Counter	1
20	C229 2626	Drum Position Plate - Small	1
21	C232 5627	Bracket Circuit Board LED	1
22	C232 5802	Circuit Board LED Ass'y	1

Index No.	Part No.	Description	Q'ty Per Assembly
101	1105 0199	Clamp	
102	1105 0310	Harness Clamp - LWS-1S	
103	0353 0050B	Philips Truss Head Screw - M3x5	
104	0451 4006B	Tapping Screw - 4x6	
105	1204 2501	Main Switch	
106	0313 0350B	Philips Pan Head Screw - M3x35	
107	1204 2356	Microswitch - AM51612A531	
108	0451 4008B	Philips Tapping Screw - M4x8	
109	0451 3006B	Tapping Screw - M3x6	
110	0720 0030E	Retaining Ring - M3	
111	0451 3006B	Tapping Screw - M3x6	



## 7. Drive Section 1 (C235)

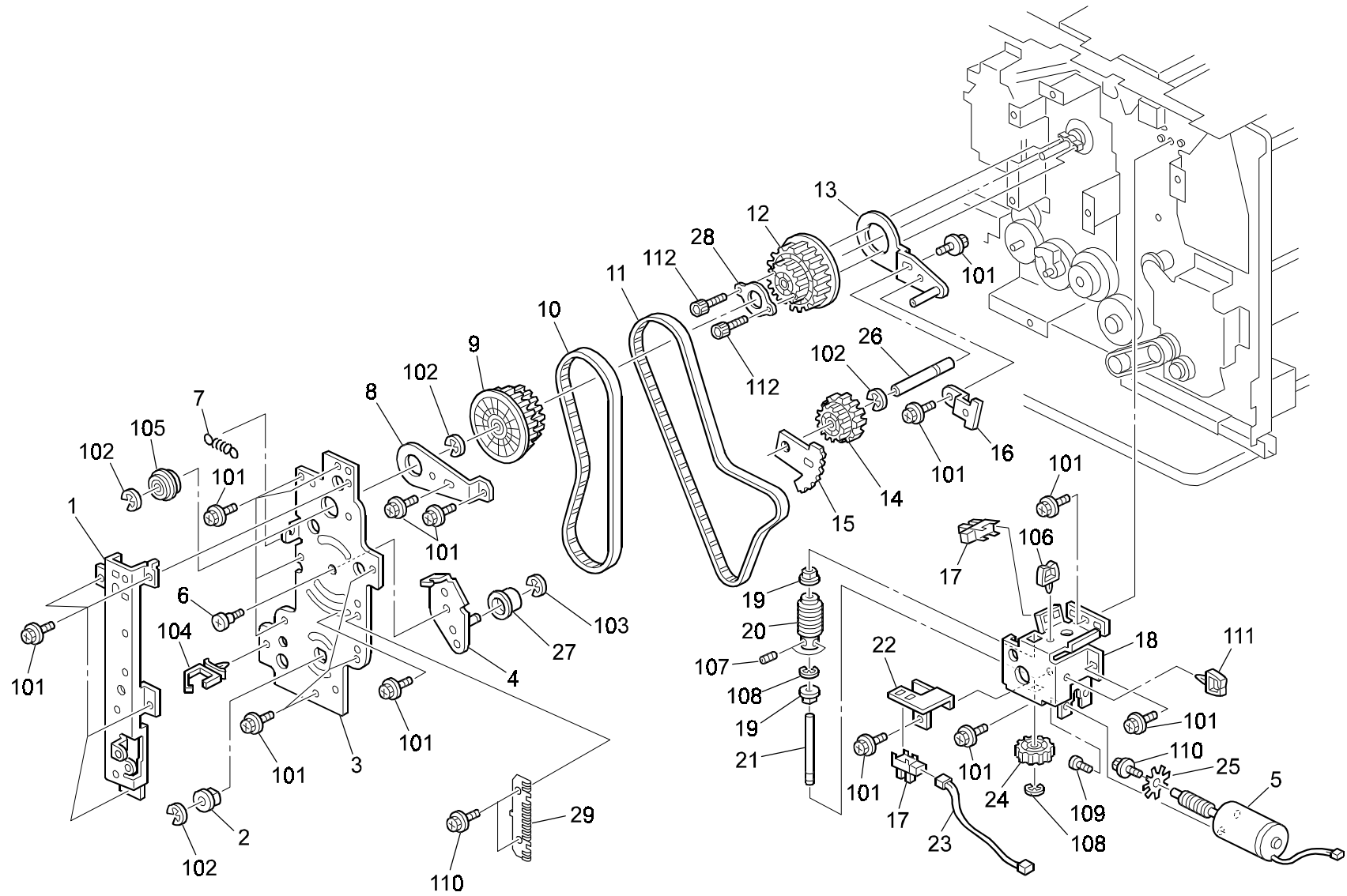


## 7. Drive Section 1 (C235)

Index No.	Part No.	Description	Q'ty Per Assembly
1	C229 3185	Gear Adjuster	1
2	C229 3183	Pressure Cylinder Sub Gear	1
3	C229 3186	Pressure Spring	1
4	C229 3184	Stopper Flange	1
5	C229 3182	Pressure Cylinder Gear	1
6	C229 3181	Adjusting Cam	1
7	C229 1198	Lower Timing Pulley - Cylinder Drive	1
8	C229 1140	Feed Roller Drive Gear	1
9	C207 4672	Gear - 36Z	1
10	C229 1101	Drum Drive Support Plate	1
11	C229 5840	Main Motor Gear	1
12	C229 1090	Drum Drive Shaft	1
13	C233 3191	Joint Core	1
14	C229 3196	Joint Flange	1
15	C229 1028	Pressure Cylinder Drive Shaft	1
16	C229 1192	Drum Guide Pin	1
17	C229 1145	Belt Tension Roller	2
18	C229 1048	Tension Bracket	1
19	C229 1067	Tension Holder	1
20	C229 1143	Tension Spring	1
21	C201 5125	Stepped Screw - M6	1
22	C229 1036	Drive Bracket	1
23	C229 1173	Dial Spring	1
24	C229 1151	Gear Pulley	1
25	C229 1154	Timing Belt	1
26	C229 1180	Harness Guide	1
27	C229 1040	Bearing Holder	1
28	C233 1074	Torque Limiter 55kgf·cm	1
29	C229 1066	Main Motor Base	1
30	C229 5800	Main Motor - DC24V 100W	1
31	C229 1064	Ball Bearing 68000zz	1
32	C233 1079	Shielded Sleeve - Torque Limiter	1
33	C229 1039	Motor Gear	1
34	C233 1065	Screw M3x4	2
35	C233 1035	Torque Limiter Drive Ass'y	1

Index No.	Part No.	Description	Q'ty Per Assembly
36	C233 1036	Torque Limiter Ass'y	1
37	C229 1033	Drum Shaft Ass'y	1
38	C233 1034	Torque Limiter Drive Ass'y	1
101	0595 0080E	Hexagon Bolt - M5x8	
102	0710 0040B	Hexagon Nut - M4	
103	0314 0160B	Philips Pan Head Screw - M4x16	
104	C229 1063	Hexagon Screw - M5x4	
105	0720 0080E	Retaining Ring - M8	
106	0720 0060E	Retaining Ring - M6	
107	0451 4006B	Tapping Screw - 4x6	
108	0951 4008B	Philips Screw With Washer - M4x8	
109	0805 3205	Ball Bearing - 10x19x7mm	
110	1105 0413	Harness Clamp	
111	0313 0120B	Philips Pan Head Screw - M3x12	
112	0805 3444	Ball Bearing - 25x37x7	
113	0451 4008B	Philips Tapping Screw - M4x8	
114	0807 3033	Washer - M4.5	

## 8. Drive Section 2 (C235)

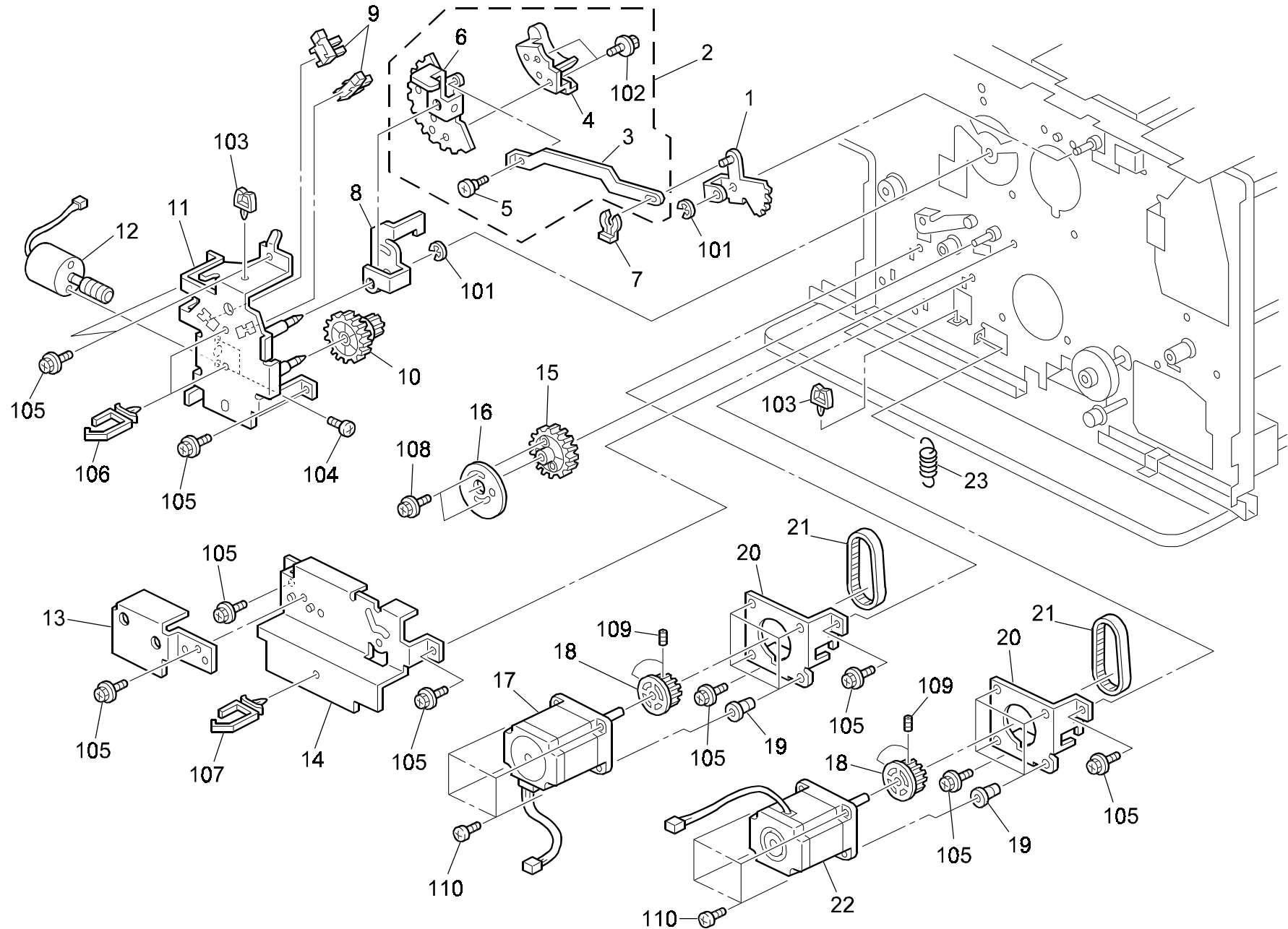


## 8. Drive Section 2 (C235)

Index No.	Part No.	Description	Q'ty Per Assembly
1	C229 5628	Board Holder Stay	1
2	5053 0419	Bushing - 10mm	1
3	C229 1128	Drive Support Bracket	1
4	C229 1048	Tension Bracket	1
5	C229 5820	DC Motor - 20W	1
6	C201 5125	Stepped Screw - M6	1
7	C229 1143	Tension Spring	1
8	C229 1127	Right Support Plate	1
9	C229 1094	Timing Pulley - Pressure Cylinder	1
10	C229 1187	Timing Belt - Pressure Cylinder Drive	1
11	C229 1142	Timing Belt - S5M780	1
12	C229 1092	Timing Pulley - Drum Drive	1
13	C229 1123	Left Image Shaft Support Plate	1
14	C229 1130	Relay Gear Ass'y	1
15	C229 1124	Sector Gear - Image Shift	1
16	C229 1126	Sensor Acuator	1
17	AW02 0075	Photointerruptor	2
18	C229 1174	Image Shift Motor Bracket	1
19	5053 0447	Bushing - 6mm	2
20	C229 1175	Worm Wheel	1
21	C229 1179	Image Shift Drive Shaft	1
22	C229 1178	Sensor Bracket	1
23	C236 5232	Encoder Harness	1
24	C229 1176	Worm Gear	1
25	C229 1177	Shift Sensor Encrder	1
26	C229 1121	Relay Gear Shaft	1
27	C229 1145	Belt Tension Roller	1
28	C229 1093	Timing Pulley Bracket	1
29	C236 5673	HDD Ground Plate	1

Index No.	Part No.	Description	Q'ty Per Assembly
101	0451 4006B	Tapping Screw - 4x6	
102	0720 0080E	Retaining Ring - M8	
103	0720 0060E	Retaining Ring - M6	
104	1105 0413	Harness Clamp	
105	0805 3134	Ball Bearing - 10x26x8mm	
106	1105 0199	Clamp	
107	0573 0040E	Hexagon Headless Set Screw - M3x4	
108	0720 0040E	Retaining Ring - M4	
109	0353 0040B	Screw - M3X4	
110	0451 3006B	Tapping Screw - M3x6	
111	1105 0229	Clamp	
112	0314 0200B	Philips Pan Head Screw - M4X20	

## 9. Drive Section 3 (C235)

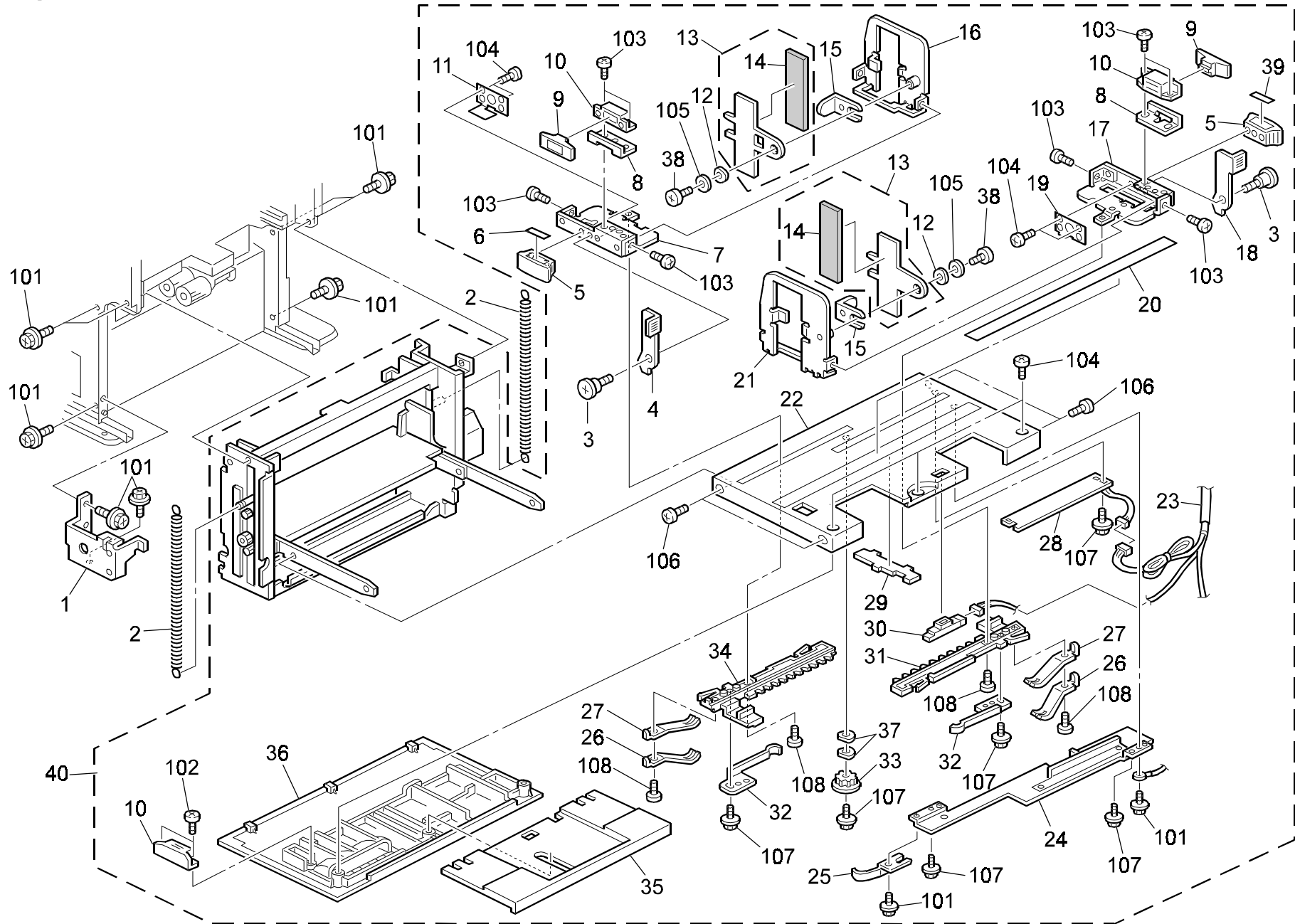


### 9. Drive Section 3 (C235)

Index No.	Part No.	Description	Q'ty Per Assembly
1	C229 4001	Eject Clamper Open Arm	1
2	C229 4050	Sector Guide Ass'y	1
3	C229 4051	Joint Link	1
4	C229 4053	Guide Pin	1
5	C229 3522	Stepped Screw	1
6	C229 4052	Sector Gear	1
7	5447 2681	Snap Ring	1
8	C229 4054	Sector Arm	1
9	AW02 0075	Photointerruptor	2
10	C229 4056	Worm Gear	1
11	C229 4057	Clamper Motor Bracket	1
12	C229 5803	DC Motor - 50W	1
13	C229 2931	Pulley Cover	1
14	C229 2930	Guide Plate	1
15	C229 2927	Pressure Release Gear	1
16	C229 2929	Pressure Release Cam	1
17	C229 5801	Stepper Motor	1
18	C229 2946	Motor Pulley	2
19	C403 1899	Rubber Bushing - M4	8
20	C236 5731	Paper Feed Motor Bracket	2
21	C229 2948	Timing Belt - 80-XL-050	2
22	C229 5828	Stepper Motor	1
23	C236 2998	Tension Spring - 18N	1

Index No.	Part No.	Description	Q'ty Per Assembly
101	0720 0060E	Retaining Ring - M6	
102	0451 3006B	Tapping Screw - M3x6	
103	1105 0199	Clamp	
104	0353 0040B	Screw - M3X4	
105	0451 4006B	Tapping Screw - 4x6	
106	1105 0291	Harness Clamp - LWS-3S	
107	1105 0413	Harness Clamp	
108	0450 4010B	Tapping Screw - 4x10	
109	0574 0040E	Hexagon Headless Set Screw - M4x4	
110	0354 0140B	Screw - M4X14	

# 10. Paper Feed Section 1 (C235)

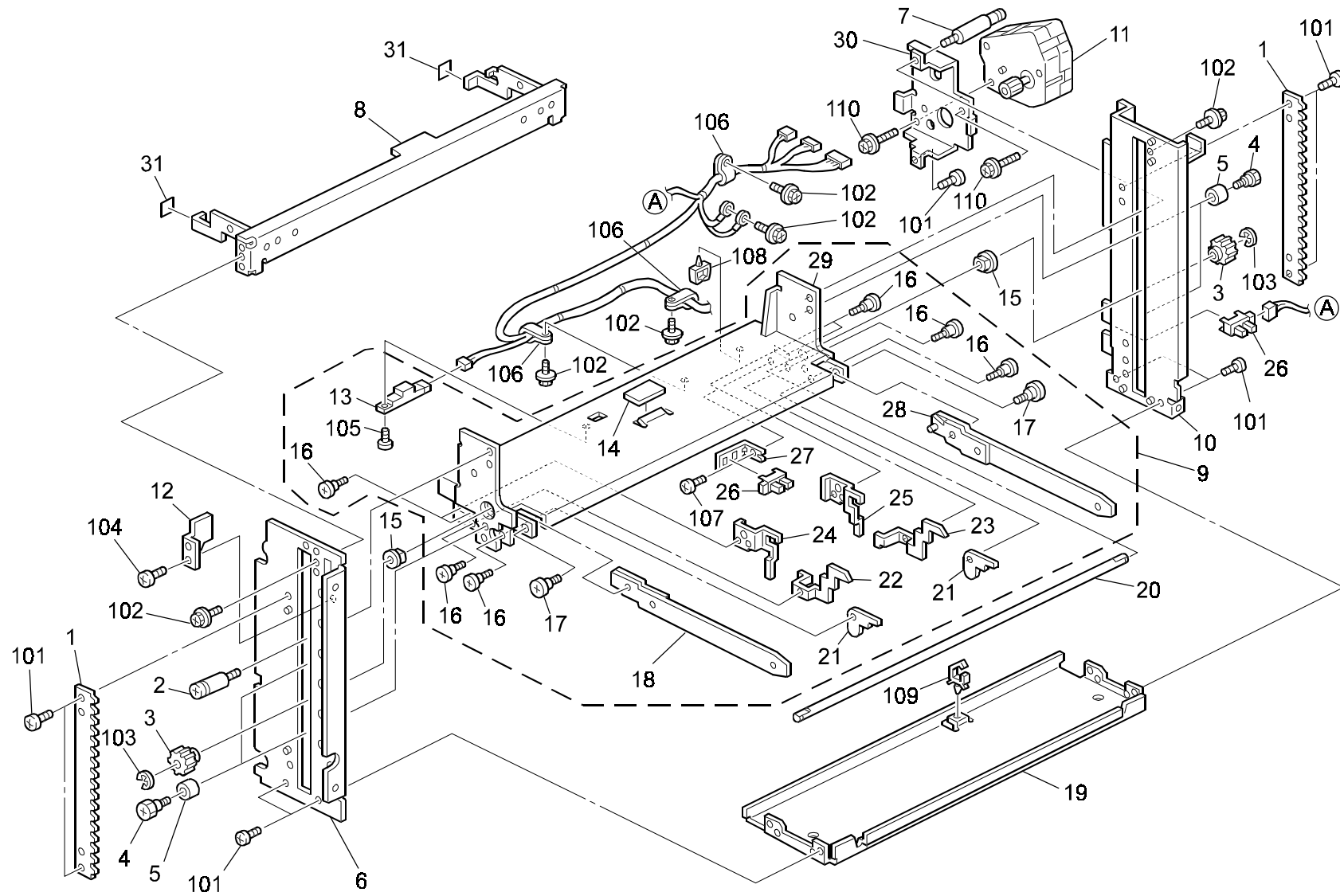


## 10. Paper Feed Section 1 (C235)

Index No.	Part No.	Description	Q'ty Per Assembly	Index No.	Part No.	Description	Q'ty Per Assembly
1	C229 1291	Support Plate - Right Lower	1	36	C235 2774	Paper Feed Cover	1
2	C229 2828	Lift Up Spring - Paper Tray	2	37	5443 2713	Wave Washer	2
3	A109 4775	Stepped Screw - M5	2	38	5506 1536	Screw - M4X6	2
4	C235 2819	Lock Lever - Left Side Fence	1	39	C235 2813	Decal - Side Fence - Right	1
5	C235 2804	Side Fence Grip	2	40	C235 2744	Paper Feed Unit Ass'y	1
6	C235 2814	Decal - Side Fence - Left	1				
7	C235 2796	Left Side Fence Slider Ass'y	1				
8	C229 2793	Side Fence Stopper	2				
9	C235 2812	Spacer - Magnet Catch	2				
10	5054 0536	Magnet Catch Ass'y	3				
11	C235 2820	Left Lock Lever Spring Plate Ass'y	1				
12	5070 0923	Spring Washer - Rotating Table	2				
13	C235 2769	Side Fence Pad Ass'y	2				
14	C235 2771	Side Fence Pad	2				
15	C209 5092	Rubber Plate Lever	2				
16	C235 2802	Left Side Fence Ass'y	1				
17	C235 2786	Right Side Fence Slider Ass'y	1				
18	C235 2815	Lock Lever - Right Side Fence	1				
19	C235 2816	Right Lock Lever Spring Plate Ass'y	1				
20	C229 2951	Decal - Paper Size	1				
21	C235 2791	Right Side Fence	1				
22	C235 2773	Paper Tray	1				
23	C235 5236	Paper Size Harness Ass'y	1				
24	C229 2955	Ground Plate	1				
25	C229 2952	Spring Plate - Paper Tray	1				
26	C229 2954	Spring Plate	2				
27	C229 2784	Grounding Plate	2				
28	C229 5155	Paper Size Sensor Board	1	101	0451 4006B	Tapping Screw - 4x6	
29	C235 2779	Harness Holder	1	102	0452 3006B	Tapping Screw - M3x6	
30	C229 5807	Photosensor - GP2A25	1	103	0453 3006B	Tapping Screw - M3x6	
31	C229 2780	Side Fence Rack - Right	1	104	0452 3008B	Tapping Screw - M3x8	
32	C229 2794	Tension Spring Plate	2	105	0701 0080Z	Flat Washer - M8	
33	G011 3305	Gear - 16T	1	106	0453 4008Z	Tapping Screw - M4X8	
34	C229 2781	Side Fence Rack	1	107	0450 3006B	Tapping Screw - M3x6	
35	C232 2775	Paper Tray - Sub	1	108	0353 0060B	Philips Pan Head Screw - M3x6	



# 11. Paper Feed Section 2 (C235)

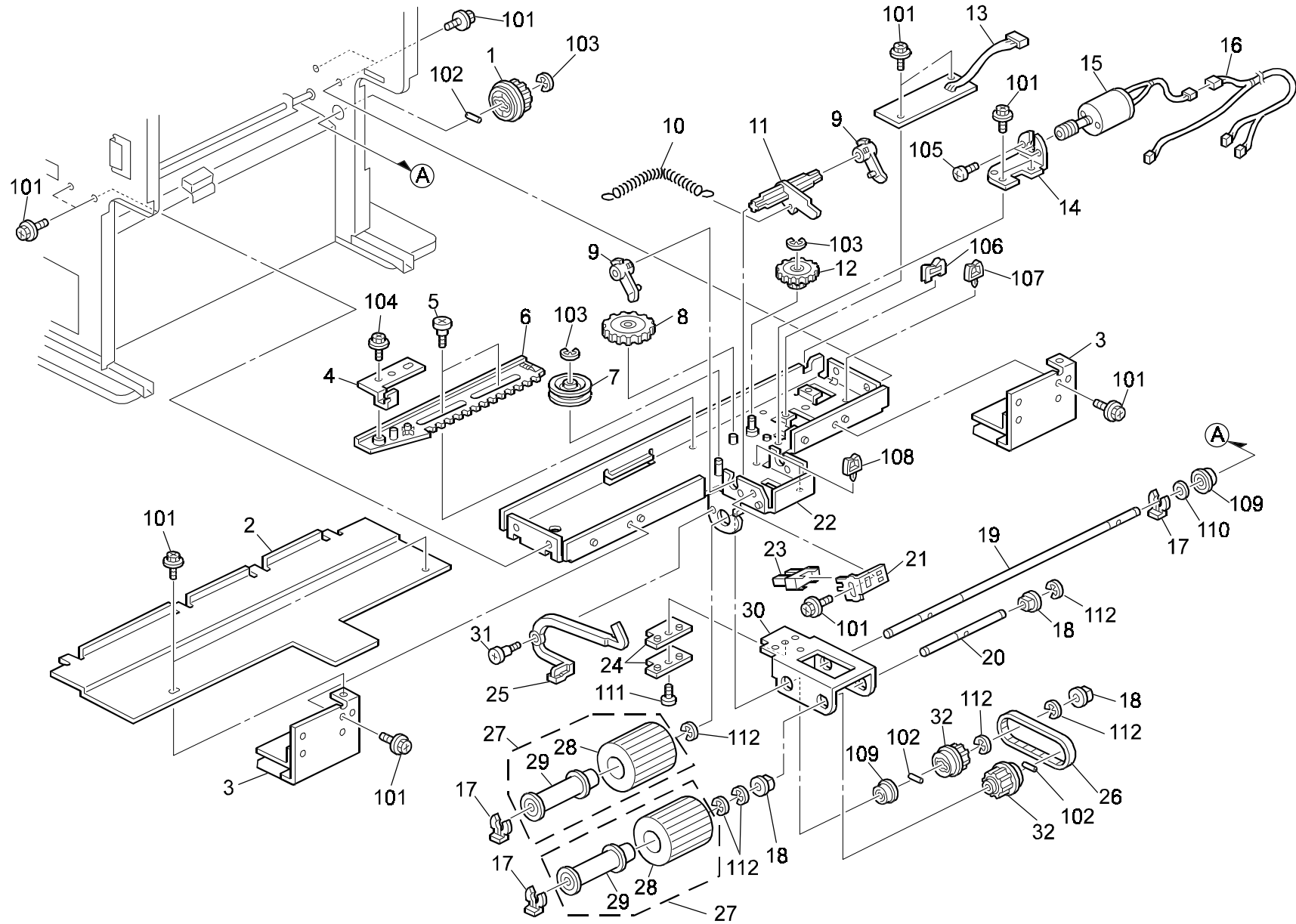


## 11. Paper Feed Section 2 (C235)

Index No.	Part No.	Description	Q'ty Per Assembly
1	C229 2755	Lift Up Rack - Paper Table	2
2	C229 2827	Spring Anchor - Left	1
3	C229 2824	Gear - 20Z	2
4	C229 2829	Lift Up Shaft	4
5	5606 2310	Roller	4
6	C229 2754	Left Side Plate	1
7	C229 2826	Spring Anchor - Right	1
8	C229 2756	Upper Stay	1
9	C229 2805	Paper Table Ass'y	1
10	C229 2751	Right Side Plate	1
11	C229 5814	DC Motor - 24V	1
12	C232 2841	Magnetic Guide Plate	1
13	C229 5807	Photosensor - GP2A25	1
14	C229 2840	Pad	1
15	5053 0223	Bushing - 8mm	2
16	5151 1009	Shoulder Screw - M4	8
17	5607 3927	Stepped Screw - M3x8	2
18	C229 2776	Left Stay - Paper Table	1
19	C229 2757	Paper Table Lower Stay	1
20	C229 2823	Table Lift Shaft	1
21	C229 2820	Pressure Release Plate	2
22	C229 2817	Pressure Release Arm - Left	1
23	C229 2816	Pressure Release Arm - Right	1
24	C229 2815	Left Adjusting Plate	1
25	C229 2814	Right Adjusting Plate	1
26	AW02 0075	Photointerruptor	2
27	C229 2810	Paper Set Sensor Bracket	1
28	C229 2775	Right Stay - Paper Table	1
29	C229 2807	Paper Table - Fixed	1
30	C229 5730	Paper Table Motor Bracket	1
31	C229 2761	Cusion	2

Index No.	Part No.	Description	Q'ty Per Assembly
101	0354 0050B	Bind Screw - M4x5	
102	0451 4006B	Tapping Screw - 4x6	
103	0720 0050Z	Retaining Ring - M5	
104	0353 0040B	Screw - M3X4	
105	0451 3006B	Tapping Screw - M3x6	
106	1105 0005	Nylon Clamp - 3n	
107	0353 0040B	Screw - M3X4	
108	1105 0229	Clamp	
109	1105 0310	Harness Clamp - LWS-1S	
110	0450 4025B	Tapping Screw With Washer - M4x25	

## 12. Paper Feed Section 3 (C235)

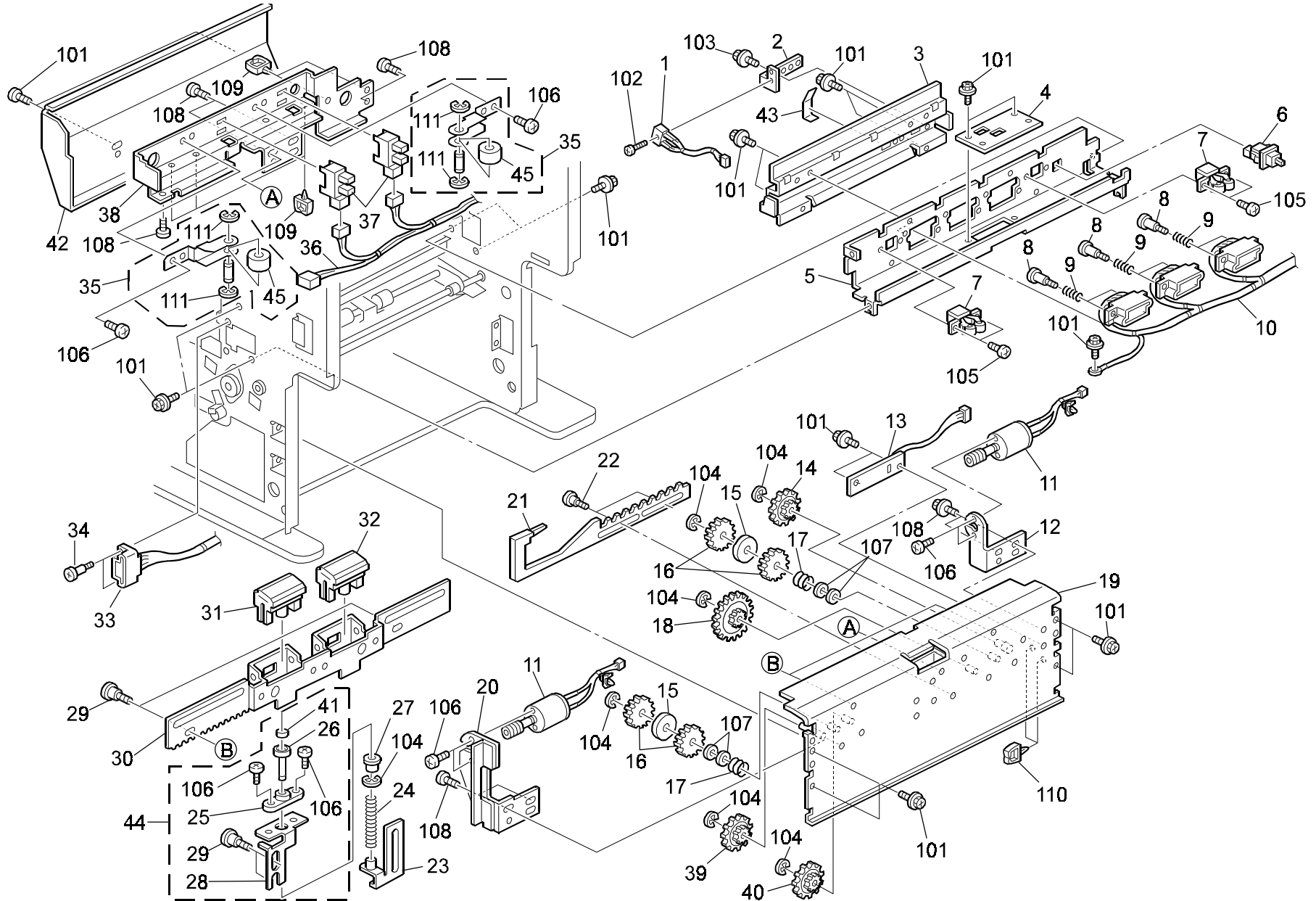


## 12. Paper Feed Section 3 (C235)






Index No.	Part No.	Description	Q'ty Per Assembly
1	C229 2947	Drive Pulley - Paper Separation	1
2	C236 5733	Harness Cover	1
3	C229 2845	Paper Feed Guide Plate	1
4	C229 2860	Spring Bracket	1
5	5419 5714	Stepped Screw - M4	2
6	C229 2858	Separation Control Rack	1
7	C200 3712	Pulley	1
8	C229 2857	Gear - 14Z/42Z	1
9	C229 2863	Bushing	2
10	C229 2861	Paper Pressure Spring	1
11	C229 2862	Paper Pressure Lever	1
12	C229 2856	Worm Wheel Gear - 14Z/40Z	1
13	C229 5157	Paper Pressure Board	1
14	C229 5732	Feed Pressuer Motor Bracket	1
15	C217 8447	DC Motor - 24V/7.2W	1
16	C236 5206	Paper Feed Pressure Harness	1
17	C209 3133	Retaining Ring - M6	3
18	5053 0223	Bushing - 8mm	3
19	C229 2839	Paper Feed Roller Shaft	1
20	C229 2838	Pick-up Roller Shaft	1
21	C229 2866	Height Sensor Bracket	1
22	C229 2850	Paper Feed Stay	1
23	AW02 0075	Photointerruptor	1
24	C229 2834	Balancer Arm	2
25	C229 2864	Paper Sensor Feller	1
26	C229 2949	Timing Belt - 75-MXL-64	1
27	<b>C229 2835</b>	<b>Paper Feed Roller Ass'y</b>	<b>2</b>
28	C229 2836	Paper Feed Roller	2
29	C229 2837	Paper Feed Roller - Center	2
30	C229 2833	Paper Feed Arm	1
31	5219 1957	Stepped Screw - M4	1
32	C229 2950	Feed Roller Drive Pulley	2

Index No.	Part No.	Description	Q'ty Per Assembly
101	0451 4006B	Tapping Screw - 4x6	
102	0633 0140G	Parallel Pin - 3x14	
103	0720 0060E	Retaining Ring - M6	
104	0450 4006B	Tapping Screw - 4x6	
105	0353 0040B	Screw - M3X4	
106	1105 0329	Clamp - ES-0510	
107	1105 0230	Clamp	
108	1105 0199	Clamp	
109	0805 3368	Ball Bearing - 8x16x5mm	
110	0807 5037	Washer - 8.1mm	
111	0354 0080B	Screw - M4X8	
112	0720 0050Z	Retaining Ring - M5	

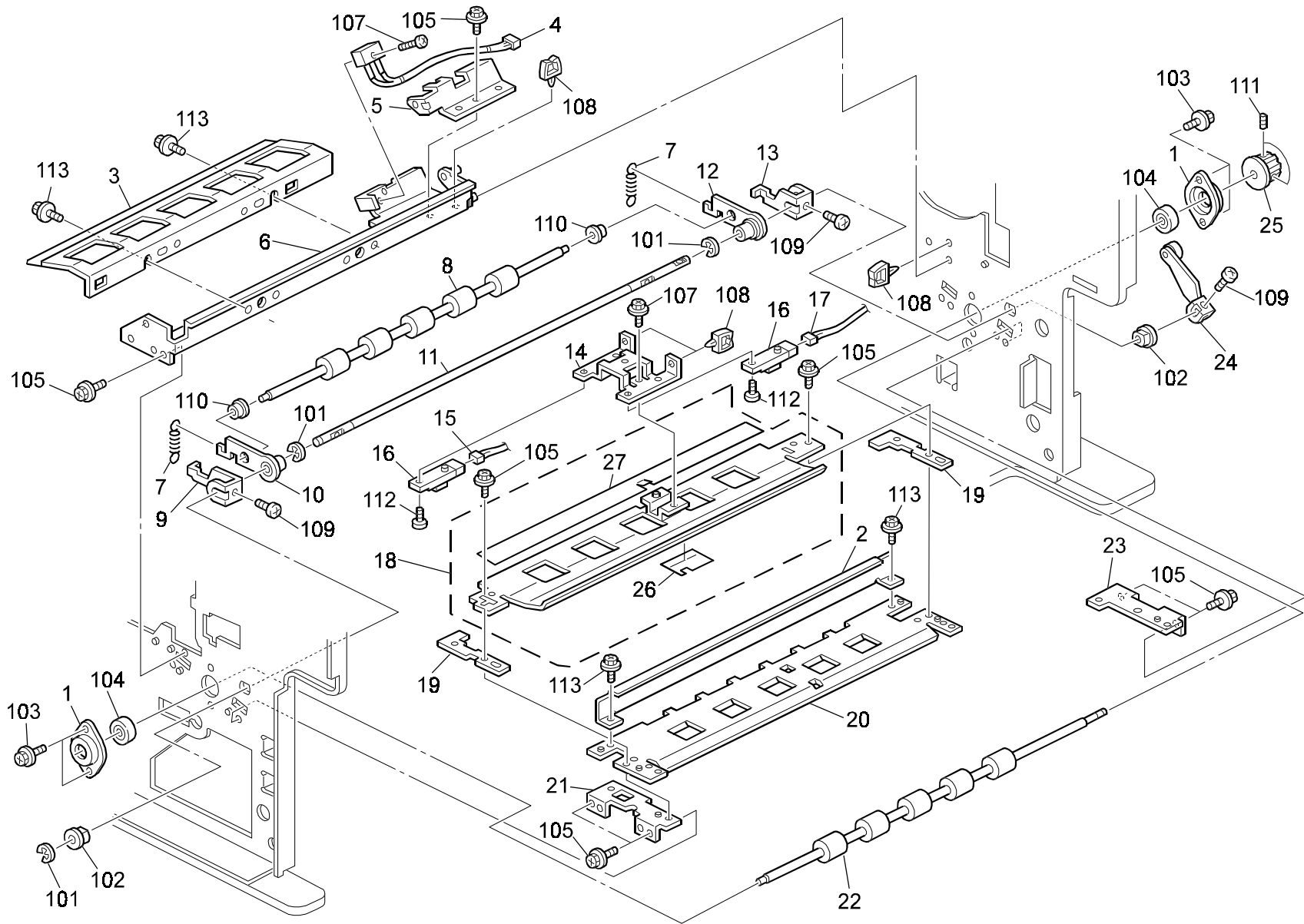
# 13. Paper Feed Section 4 (C235)



### 13. Paper Feed Section 4 (C235)

Index No.	Part No.	Description	Q'ty Per Assembly		Index No.	Part No.	Description	Q'ty Per Assembly
1	C236 5825	Sensor	1		36	C236 5238	Separation Harness	1
2	C236 2265	Sensor Bracket	1		37	AW02 0075	Photointerruptor	2
3	C236 2262	Sensor Stay	1		38	C236 2879	Sensor Bracket	1
4	C229 2261	Connector Plate	1		39	C236 2864	Worm Wheel - Gear	1
5	C229 2260	Plotter Connector Bracket	1		40	C236 2862	Gear - 32Z/14Z	1
6	AW50 0012	Push Switch	1		41	C236 2850	Magnetic	1
7	C229 2267	Lock Holder	2		42	C235 2898	Cover - Separation Sub-unit	1
8	AA14 3120	Stepped Screw - M3x3	6		43	C236 2266	Sensor Cover	1
9	AA06 3163	Connector Spring	1		44	C236 2845	Upper Pressure Plate Ass'y	1
10	C236 5210	Plotter Relay Harness	1		45	C201 4604	Drum Rail Roller	2
11	C217 8447	DC Motor - 24V/7.2W	2					
12	C236 2875	Motor Bracket	1					
13	C236 5157	Paper Feed Control Board	1					
14	C236 2865	Worm Wheel - Gear	1					
15	C236 2866	Rubber Washer	2					
16	C236 2863	Gear - 24Z	4					
17	C236 2867	Compression Spring	2					
18	C229 2857	Gear - 14Z/42Z	1					
19	C235 2832	Drum Stay - Paper Feed Ass'y	1					
20	C236 2871	Motor Bracket	1					
21	C236 2860	Separation Rack Ass'y	1					
22	5419 5714	Stepped Screw - M4	2					
23	C236 2855	Lower Pressure Plate	1					
24	C236 2858	Compression Spring	1					
25	C236 2848	Slider Bushing	1					
26	C236 2851	Upper Slider	1		101	0451 4006B	Tapping Screw - 4x6	
27	C236 2852	Upper Guide Pin	1		102	0352 0080B	Screw M2.5x8	
28	C236 2847	Upper Pressure Plate	1		103	0451 3006B	Tapping Screw - M3x6	
29	C236 2844	Stepped Screw	2		104	0720 0060E	Retaining Ring - M6	
30	C236 2840	Guide Rail Base	1		105	0313 0060B	Philips Pan Head Screw - M3x6	
31	<b>C236 2886</b>	<b>Separation Pad - A Ass'y</b>	<b>1</b>		106	0353 0040B	Screw - M3X4	
32	<b>C236 2895</b>	<b>Separation Pad - B Ass'y</b>	<b>1</b>		107	0807 5013	Flat Washer - M8.4	
33	C236 5208	Ink Sensor Relay Harness	1		108	0801 1004	Screw - M4X4	
34	C229 2633	Stepped Screw	2		109	1105 0199	Clamp	
35	C236 2880	Separation Pad Holder Bracket	2		110	1105 0229	Clamp	

# 14. Paper Feed Section 5 (C235)



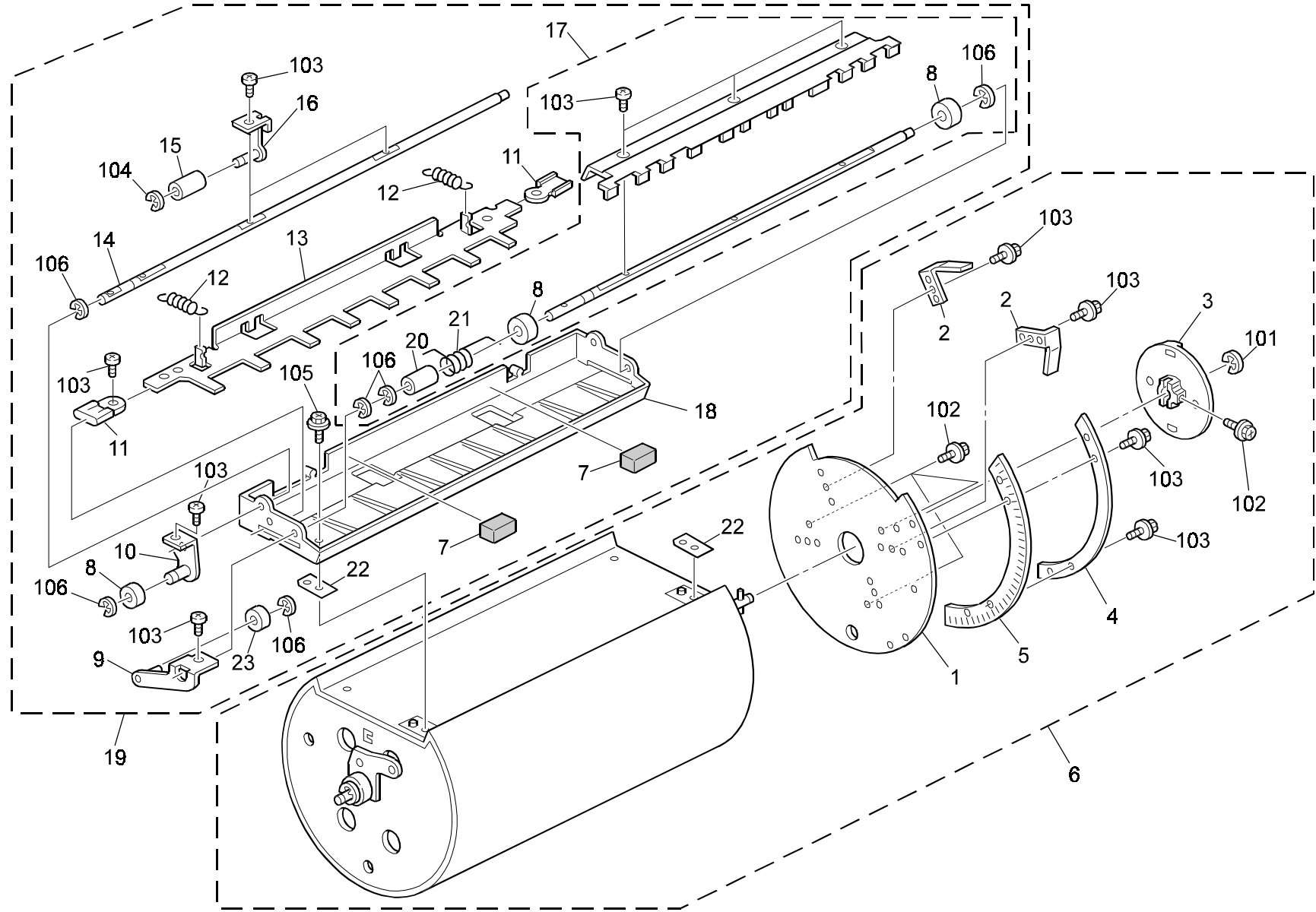
### 14. Paper Feed Section 5 (C235)

Index No.	Part No.	Description	Q'ty Per Assembly
1	C200 2266	Bearing Holder	2
2	C236 2915	Sheet Plate Guide	1
3	C236 2945	Optics Master Sensor Bracket - Sub-AS	1
4	C236 5825	Sensor	1
5	C229 5739	Master Sensor Cover	1
6	C236 2941	Bracket - Master Sensor	1
7	C229 2901	Pressure Roller Spring	2
8	C236 2905	Feed Roller - Upper	1
9	C229 2899	Pressure Release Lock Arm - Left	1
10	C229 2894	Left Pressure Arm	1
11	C229 2900	Pressure Release Shaft	1
12	C229 2893	Right Pressure Arm	1
13	C229 2898	Pressure Release Lock Arm - Right	1
14	C229 2921	Registration Sensor Bracket	1
15	C236 5240	Feed Harness	1
16	C229 5807	Photosensor - GP2A25	2
17	C236 5232	Encoder Harness	1
18	C236 2922	Upper Feed Guide Plate	1
19	C229 2919	Guide Plate Spacer	2
20	C235 2918	Guide Plate - Lower Feed Roller	1
21	C229 2923	Left Bracket - Guide Plate	1
22	C229 2906	Lower Registration Roller	1
23	C229 2922	Right Bracket - Guide Plate	1
24	C217 5126	Cam Follower Plate	1
25	C229 2907	Registration Roller Pulley - 14Z	1
26	C232 2915	Upper Entrance Seal	1
27	C236 2914	Guide Plate Sheet	1

Index No.	Part No.	Description	Q'ty Per Assembly
101	0720 0060E	Retaining Ring - M6	
102	0805 3386	Bushing - 8mm	
103	0451 3006B	Tapping Screw - M3x6	
104	0740 3008	Ball Bearing - 8x22x7	
105	0451 4006B	Tapping Screw - 4x6	
106	0720 0040E	Retaining Ring - M4	
107	0352 0080B	Screw M2.5x8	
108	1105 0199	Clamp	
109	0354 0060B	Screw - M4X6	
110	0741 3706	Ball Bearing - 6x10x3	
111	0574 0040E	Hexagon Headless Set Screw - M4x4	
112	0453 3006B	Tapping Screw - M3x6	
113	0451 4008B	Philips Tapping Screw - M4x8	



# 15. Pressure Cylinder 1 (C235)

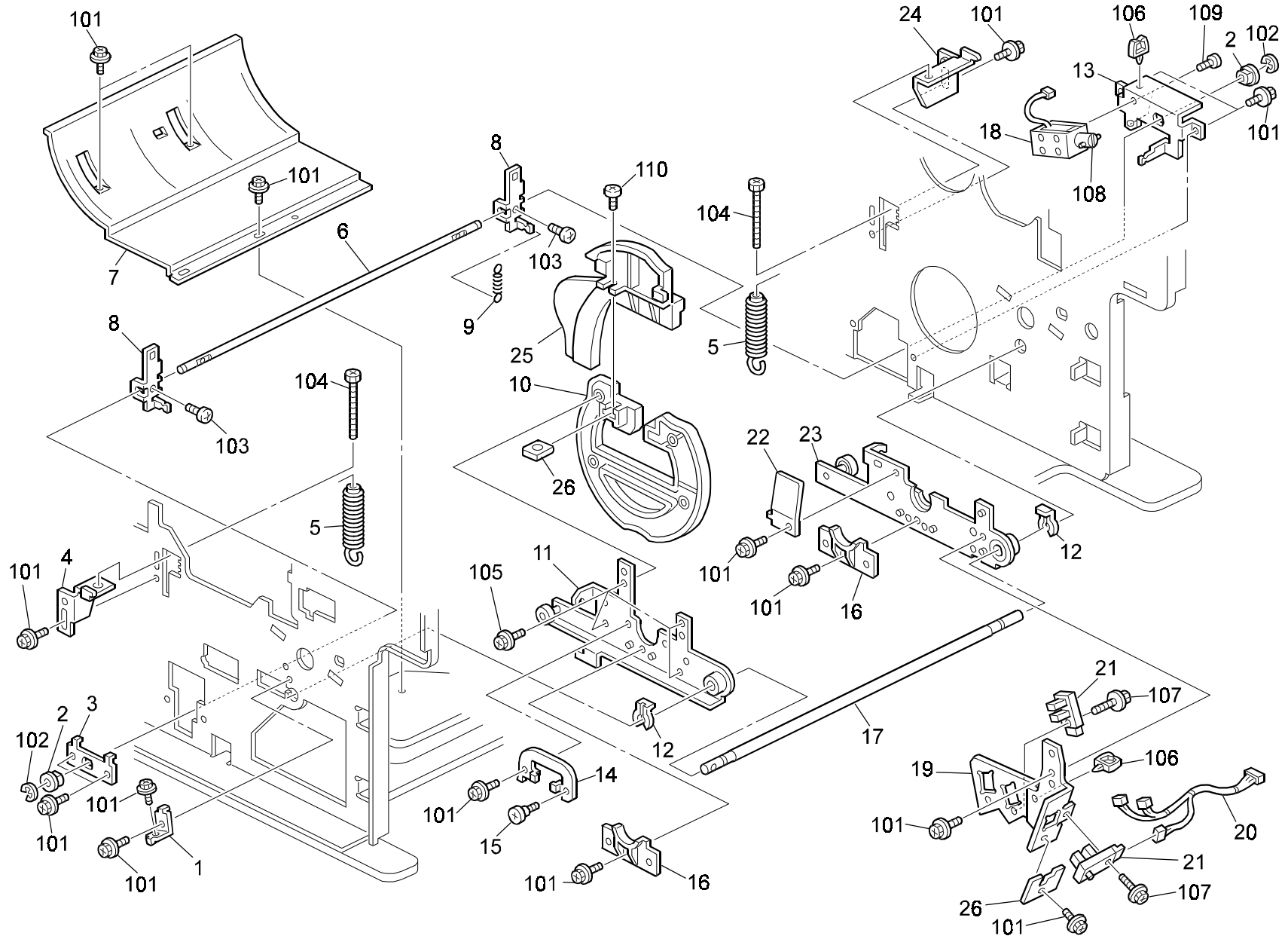


## 15. Pressure Cylinder 1 (C235)

Index No.	Part No.	Description	Q'ty Per Assembly
1	C229 3092	Front Encoder Flange	1
2	C229 3096	Paper Feed Actuator	2
3	C229 3196	Joint Flange	1
4	C229 3094	Encoder Holder	1
5	C229 3093	Encoder	1
6	C235 3004	Press Dram Unit - Ass'y	1
7	C236 3239	Cushion - Clamp	2
8	C236 3237	Collar 6x11.2x1.5	3
9	C236 3256	Clamper Arm Ass'y	1
10	C236 3261	Arm Ass'y	1
11	C236 3248	Slider Exit Pawl	2
12	C236 3249	Tension Spring - 2N	2
13	C236 3247	Clamper Exit Pawl	1
14	C236 3251	Exit Pawl Shaft	1
15	AA13 2115	Collar - Cam Follower	2
16	C236 3252	Exit Pawl Drive Guide	2
17	C236 3240	Clamp Ass'y	1
18	C236 3264	Clamper Base	1
19	C236 3005	Drum Clamp Ass'y	1
20	C236 3238	Collar 6x8x12.5	1
21	C236 3244	Clamper Spring	1
22	C236 3084	Spacer 0.3	2
23	C236 3259	Ball Bearing - 5x11x4	1

Index No.	Part No.	Description	Q'ty Per Assembly
101	0720 0080E	Retaining Ring - M8	
102	0451 4008B	Philips Tapping Screw - M4x8	
103	0353 0060B	Philips Pan Head Screw - M3x6	
104	0720 0030Z	Retaining Ring - M3	
105	0453 4010B	Tapping Bind Screw - M4x10	
106	0720 0040E	Retaining Ring - M4	

# 16. Pressure Cylinder 2 (C235)

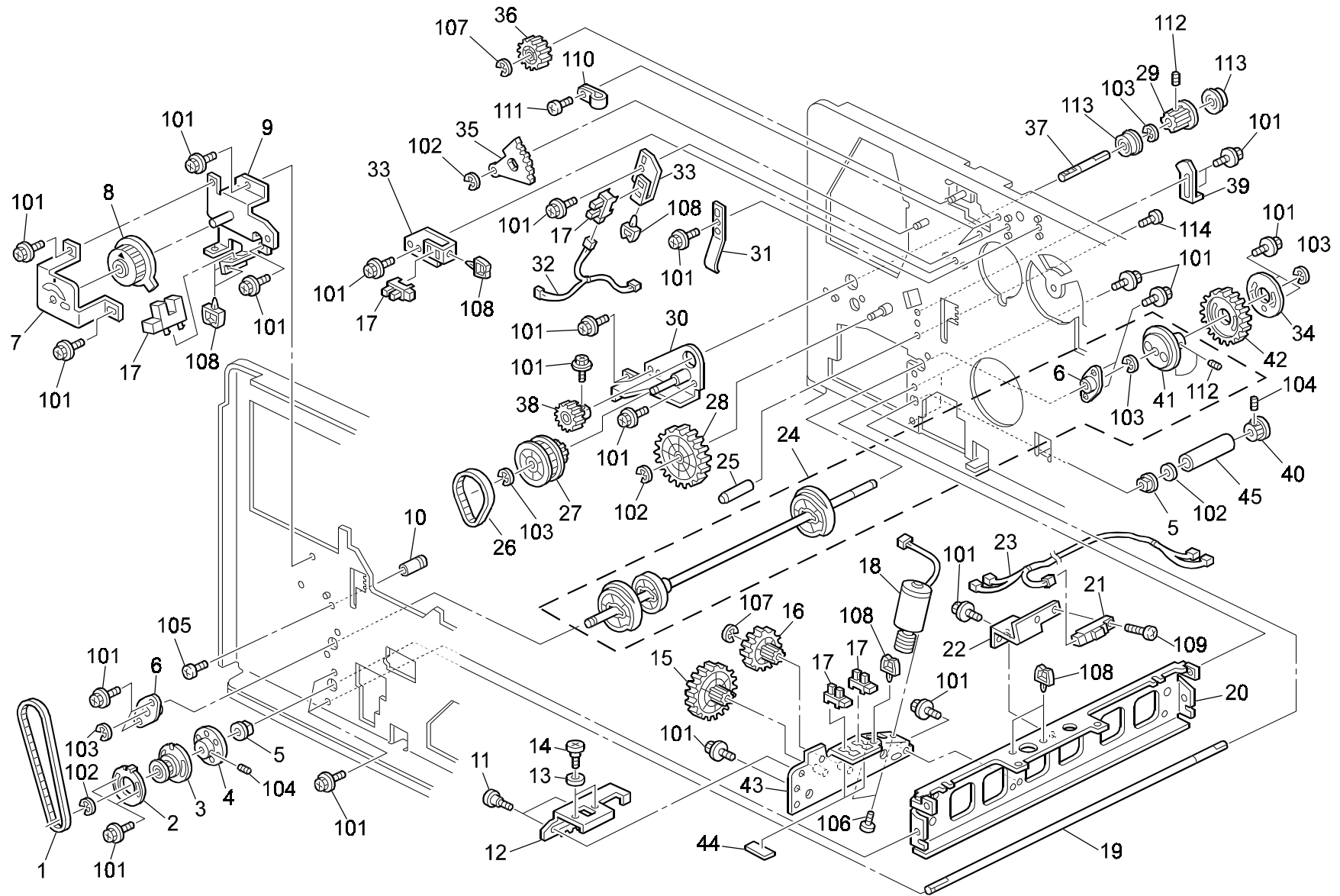


## 16. Pressure Cylinder 2 (C235)

Index No.	Part No.	Description	Q'ty Per Assembly
1	C229 3206	Shaft Stopper	1
2	5053 0447	Bushing - 6mm	2
3	C229 3161	Pressure Shaft Bracket - Front	1
4	C229 3275	Front Spring Braket	1
5	C233 3270	Pressure Spring	2
6	C229 3165	Pressure Release Shaft	1
7	C229 3952	Paper Exit Giude Plate	1
8	C229 3164	Release Shaft Arm	2
9	C229 3166	Release Spring	1
10	C236 3231	Large Clamp Cam	1
11	C229 3220	Front Arm	1
12	C229 3207	Ring - M14	2
13	C229 3163	Solenoid Bracket	1
14	C229 3226	Pressure Cylinder Shaft Holder	1
15	AA14 3062	Shoulder Screw - M4	1
16	C229 3227	Pressure Cylinder Shaft Guide	2
17	C229 3205	Position Shaft	1
18	C229 5830	Release Solenoid	1
19	C232 3090	Feed Encoder Bracket	1
20	C236 5226	Feed Encoder Harness	1
21	5205 5250	LED Sensor Type S	2
22	C229 3234	Encoder Guide	1
23	C229 3230	Rear Arm	1
24	C229 3276	Rear Spring Braket	1
25	C236 3269	Small Clamp Cam	1
26	C217 4590	Plate Nut	1
27	C232 3091	Feed Encoder Guide	1

Index No.	Part No.	Description	Q'ty Per Assembly
101	0451 4006B	Tapping Screw - 4x6	
102	0720 0040E	Retaining Ring - M4	
103	0451 3006B	Tapping Screw - M3x6	
104	0586 0451Z	Hexagon Bolt - M6x45	
105	0450 4008B	Tapping Screw - 4x8	
106	1105 0199	Clamp	
107	0451 4010B	Tapping Screw - 4x10	
108	0623 0140E	Spring Pin - 3x14mm	
109	0353 0040B	Screw - M3X4	
110	0353 0080B	Screw - M3X8	

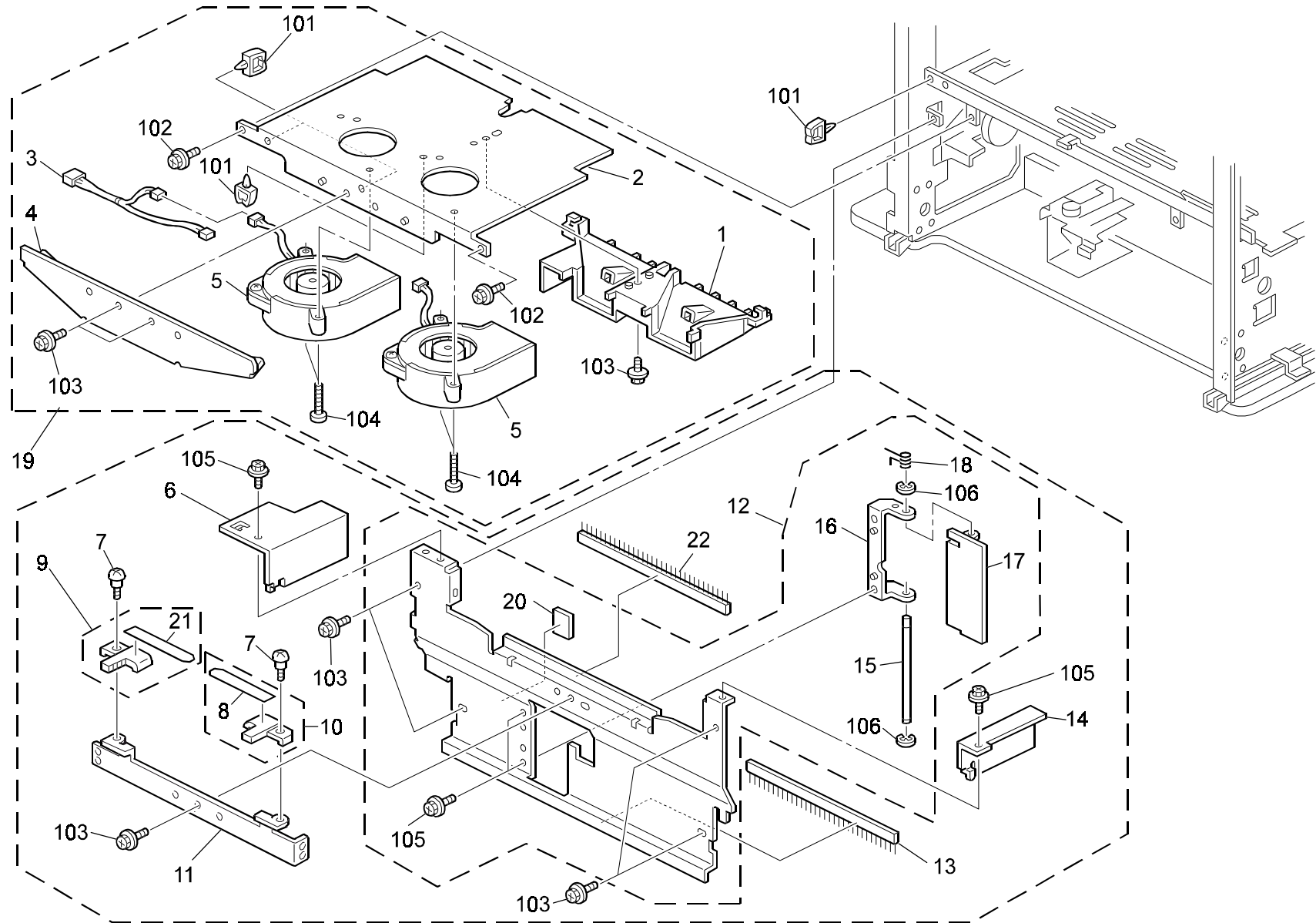
# 17. Pressure Cylinder 3 (C235)



## 17. Pressure Cylinder 3 (C235)

Index No.	Part No.	Description	Q'ty Per Assembly		Index No.	Part No.	Description	Q'ty Per Assembly
1	C229 1163	Timing Belt - S3M118Z	1		36	C229 3586	Driven Gear	1
2	C229 1162	Pulley Spacer	1		37	C233 1138	Drive Shaft	1
3	C229 1161	Dial Drive Pulley - 20Z	1		38	C229 1137	Drive Relay Gear	1
4	C229 1160	Dial Adjuster	1		39	C229 3976	Lever Stopper	1
5	5304 1639	Bushing - 8mm	2		40	C229 1155	Driven Shaft Gear	1
6	C229 3135	Bushing - Cam Shaft	2		41	C229 3133	Control Plate - Cam Drive	1
7	C232 1170	Cover Dial Print	1		42	C229 3194	Pressure Cylinder Gear	1
8	C232 1167	Pulley Ass'y	1		43	C229 3150	Job Motor Bracket	1
9	C232 1164	Bracket Dial Ass'y	1		44	H522 1100	Sensor Guide	1
10	C229 1082	Front Guide Shaft	1		45	C229 1044	Spacer	1
11	C217 4426	Shoulder Screw	2					
12	C229 3143	Rack - Exchange Ass'y	1					
13	C229 3148	Bushing	2					
14	AA14 3718	Stepped Screw - M4	2					
15	C229 3146	Gear - 80Z/16Z	1					
16	C229 3145	Worm Wheel - 50Z/16Z	1					
17	AW02 0075	Photointerruptor	5					
18	C229 5804	DC Motor - 20W	1					
19	C229 1043	Dial Shaft	1					
20	C229 1075	Left Stay	1					
21	C229 5807	Photosensor - GP2A25	1					
22	C229 3951	Lower Paper Exit Sensor Bracket	1		101	0451 4006B	Tapping Screw - 4x6	
23	C236 5262	Change Harness	1		102	0720 0060E	Retaining Ring - M6	
24	C236 3125	Cam Shaft Ass'y	1		103	0720 0080E	Retaining Ring - M8	
25	C229 1083	Rear Guide Shaft	1		104	0574 0050E	Hexagon Headless Set Screw - M4x5	
26	C229 1139	Timing Belt - S2M190	1		105	0354 0060B	Screw - M4X6	
27	C229 3961	Drive Pulley	1		106	0353 0040B	Screw - M3X4	
28	C229 3966	Drive Gear	1		107	0720 0040E	Retaining Ring - M4	
29	C229 1136	Timing Pulley - Job Separator	1		108	1105 0199	Clamp	
30	C229 3930	Gear Holder	1		109	0313 0060B	Philips Pan Head Screw - M3x6	
31	C229 2621	Spring Plate	1		110	1105 0008	Nylon Clamp - 2N	
32	C236 5224	Drum H.P Harness	1		111	0453 4006H	Tapping Screw - M4x6	
33	C229 2631	Limit Sensor Bracket	2		112	0574 0040E	Hexagon Headless Set Screw - M4x4	
34	C229 3195	Gear Spacer	1		113	0805 3134	Ball Bearing - 10x26x8mm	
35	C229 3585	Sector Gear	1		114	0354 0080B	Screw - M4X8	

# 18. Paper Exit Section 1 (C235)



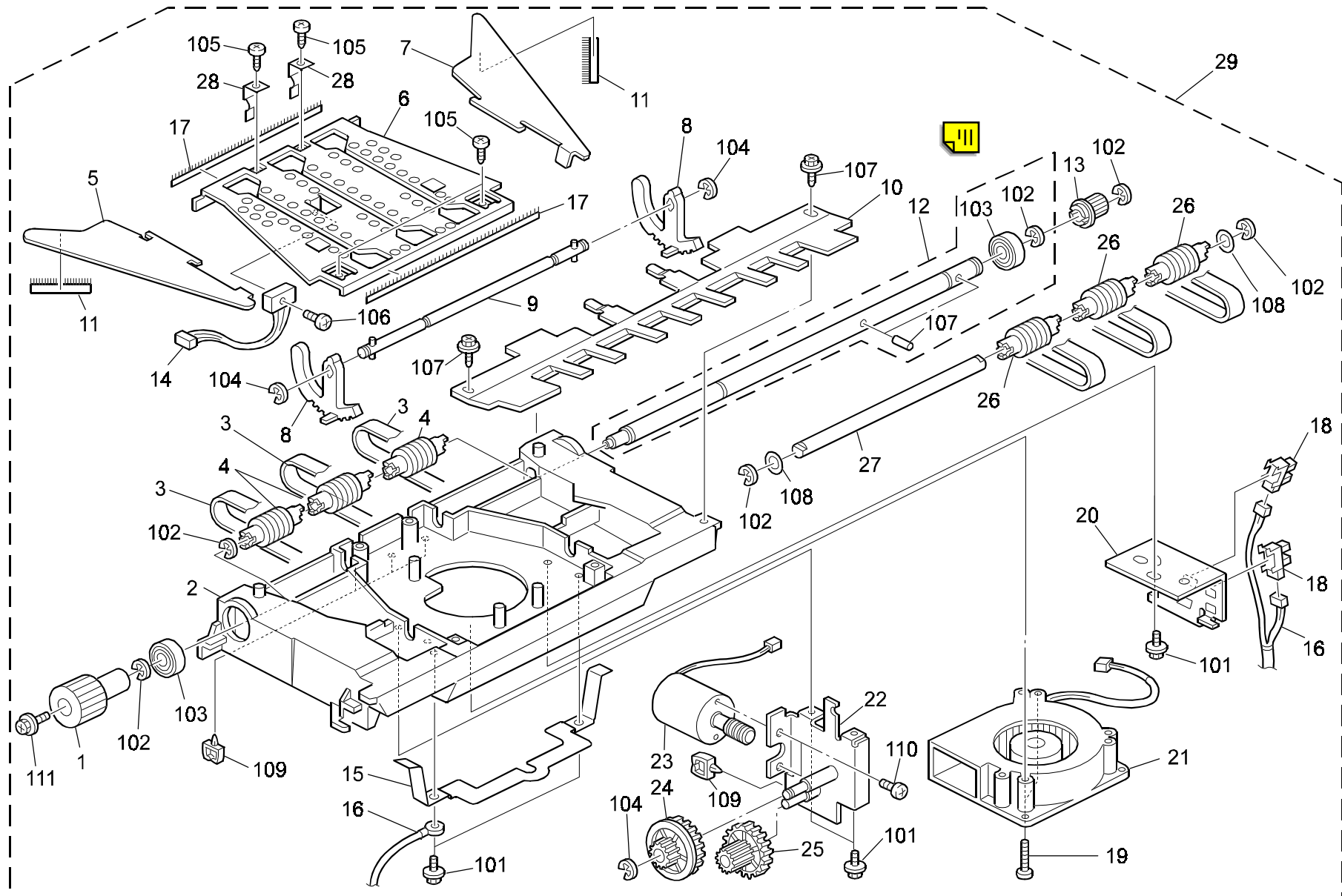
### 18. Paper Exit Section 1 (C235)

Index No.	Part No.	Description	Q'ty Per Assembly
1	C236 3302	Air Knife Duct	1
2	C236 3301	Air Knife Base	1
3	C236 5234	Air Knife Harness	1
4	C229 3303	Paper Exit Cover	1
5	C236 5824	Fan Motor - DC24V 0.85A	2
6	C229 3857	Left Support Plate	1
7	C218 2525	Stepped Screw - M4	2
8	C235 4492	Right Front Paper Guide	1
9	C235 4493	Paper Guide - Rear	1
10	C235 4491	Paper Guide - Front	1
11	C233 4446	Adjusting Plate - Base	1
12	C229 1292	Exit Guide Plate Ass'y	1
13	C233 4405	Antistatic Brush	1
14	C229 3858	Right Support Plate	1
15	C229 4675	Separator Cover Shaft	1
16	C229 4674	Separator Cover Hinge	1
17	C229 4673	Separator Cover	1
18	C229 4676	Separator Cover Spring	1
19	C236 3008	Separation Unit - Ass'y	1
20	C229 4677	Cushion	1
21	C235 4494	Right Rear Paper Guide	1
22	C235 4495	Antistatic Brush	1

Index No.	Part No.	Description	Q'ty Per Assembly
101	1105 0199	Clamp	
102	0453 4006B	Tapping Screw - 4x6	
103	0451 4006H	Tapping Screw - M4x6	
104	0314 0350Z	Screw - M4X35	
105	0451 3006H	Tapping Screw - 3x6	
106	0720 0020E	Retaining Ring - M2	
107	0451 4008H	Tapping Screw - 4x8	



# 19. Paper Exit Section 2 (C235)

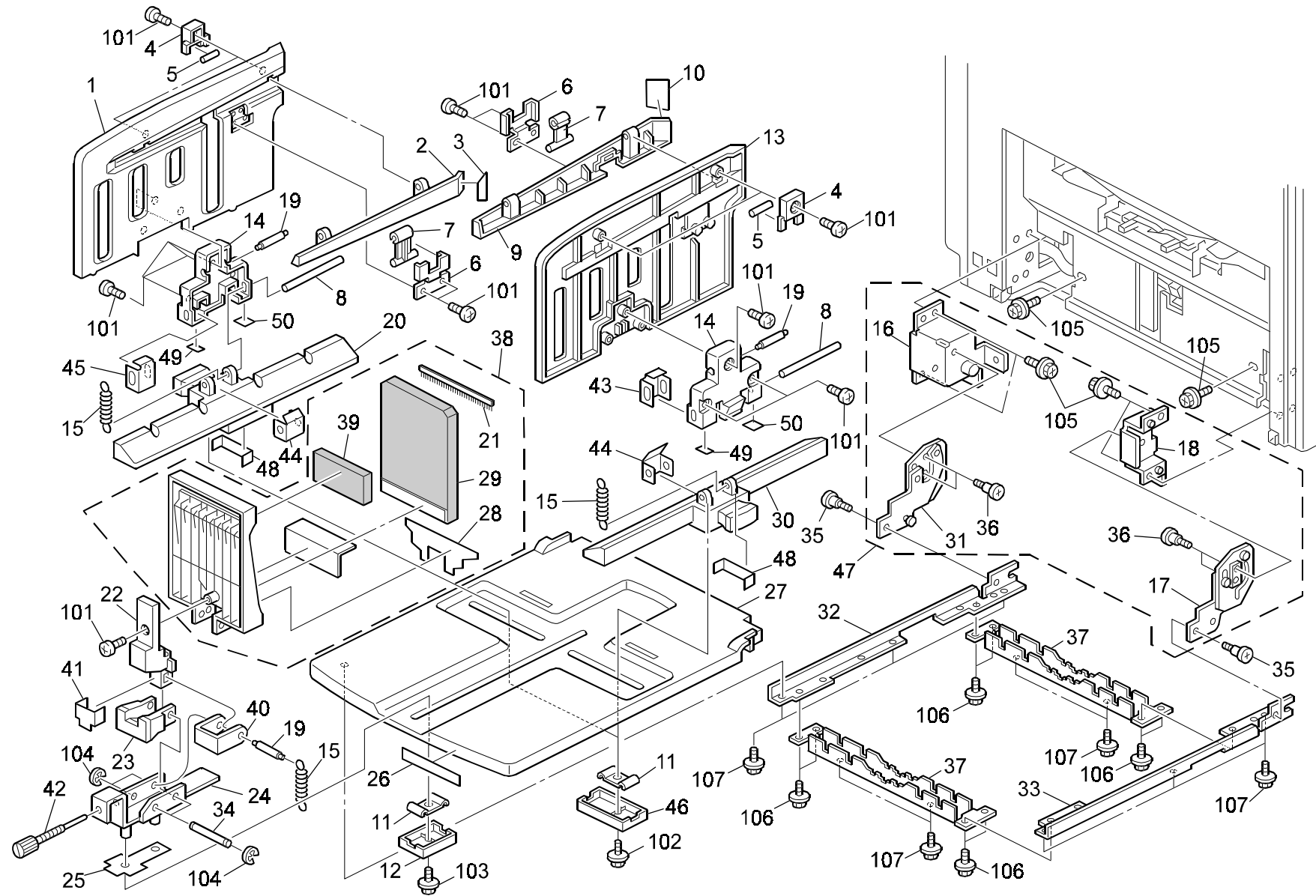


## 19. Paper Exit Section 2 (C235)

Index No.	Part No.	Description	Q'ty Per Assembly
1	C229 3878	Knob	1
2	C593 4102	Transport Belt Case	1
<b>3</b>	<b>C229 3874</b>	<b>Transport Belt</b>	<b>3</b>
4	C593 4105	Center Roller - Delivery Table	3
5	C593 4106	Front Vacuum Plate	1
6	C593 4100	Vacuum Plate	1
7	C593 4107	Rear Vacuum Plate	1
8	C229 3912	Vacuum Plate Guide Arm	2
9	C593 4109	Transport Belt Drive Shaft	1
10	C236 3942	Pickoff Pawl - Scraper	1
11	C233 3902	Discharge Brush - Adjusting Plate	2
12	C229 3875	Transport Belt Drive Shaft	1
13	C229 3872	Timing Pulley	1
14	C229 5825	Master Sensor	1
15	C593 4112	Grounding Plate	1
16	C236 5222	Vacuum Unit Harness	1
17	C593 4101	Antistatic Brush	2
18	AW02 0075	Photointerruptor	2
19	C593 4111	Tapping Screw	2
20	C593 4108	Wing Position Sensor Bracket	1
21	C593 5824	Fan - DC24V 0.9A	1
22	C229 3913	Motor Bracket	1
23	C229 5804	DC Motor - 20W	1
24	C229 3911	Gear - 25Z/51Z	1
25	C229 3145	Worm Wheel - 50A/16a	1
26	C593 4104	Transport Belt Roller	3
27	C593 4103	Transport Belt Shaft	1
28	C593 4113	Grounding Plate	2
29	C236 4004	Vacuum Unit Ass'y	1

Index No.	Part No.	Description	Q'ty Per Assembly
101	0450 4008B	Tapping Screw - 4x8	
102	0720 0080E	Retaining Ring - M8	
103	0740 3010	Ball Bearing - 10x26x8mm	
104	0720 0040E	Retaining Ring - M4	
105	0452 3006B	Tapping Screw - M3x6	
106	0252 0080B	Screw - M2X8	
107	0623 0140E	Spring Pin - 3x14mm	
108	0807 7013	Spacer - 10.2x14x0.2mm	
109	1105 0229	Clamp	
110	0353 0040B	Screw - M3X4	
111	0451 4006B	Tapping Screw - 4x6	

## 20. Delivery Table 1 (C235)

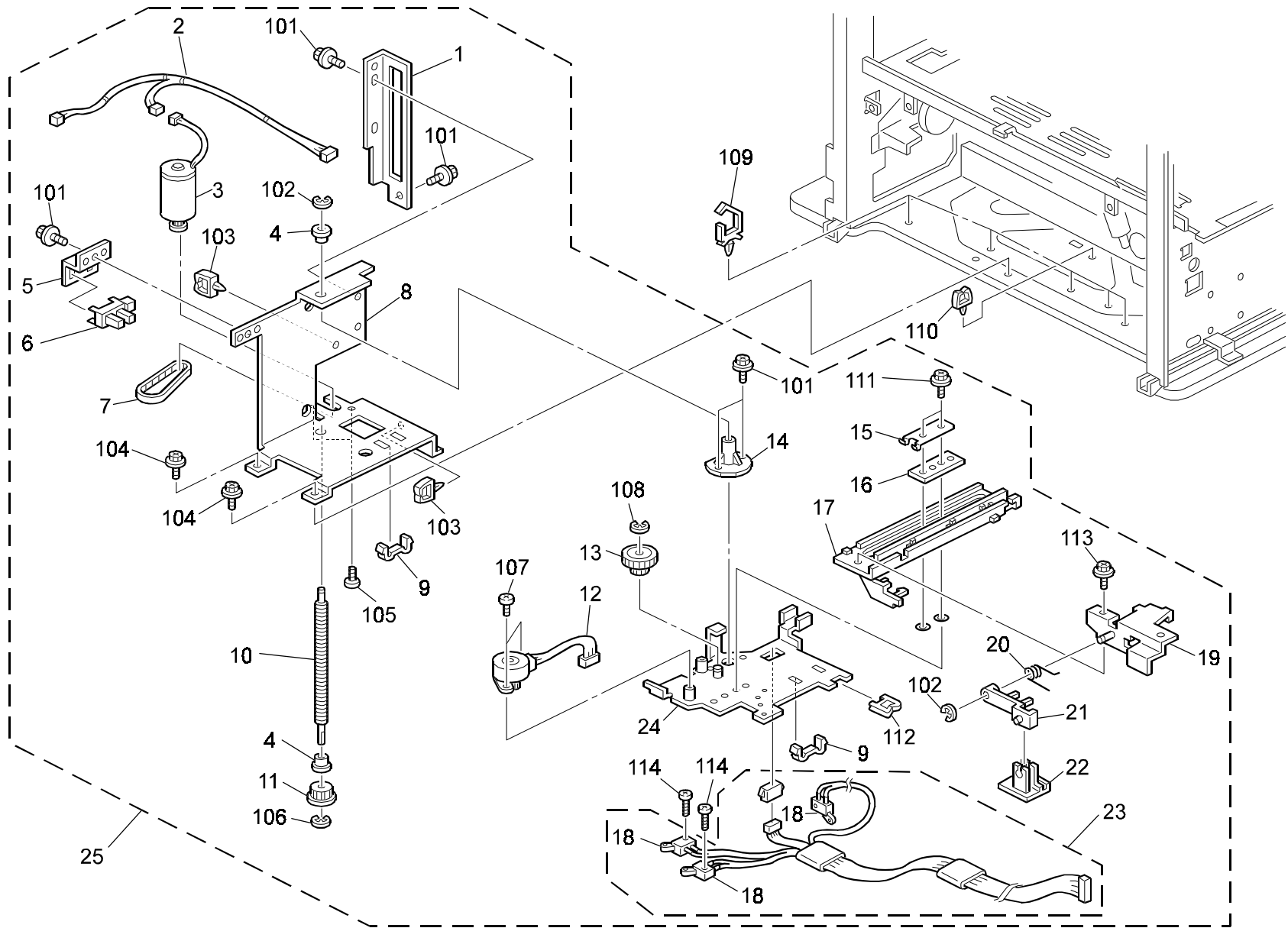


## 20. Delivery Table 1 (C235)

Index No.	Part No.	Description	Q'ty Per Assembly
1	C233 4412	Rear Side Fence - Paper Exit Sub Unit	1
2	C233 4416	Exit Guide Plate - Rear Upper	1
3	C233 4427	Rear Exit Guide	1
4	C233 4417	Guide Plate Upper Stopper	2
5	C227 6156	Upper Guide Shaft	2
6	C604 4423	Spring Plate	2
7	C233 4425	Link Guide	2
8	C233 4414	Pin - Lower Side Fence	2
9	C233 4415	Exit Guide Plate - Front Upper	1
10	C233 4426	Front Exit Guide	1
11	C231 4420	Slider Spring Plate	2
12	C231 4421	Slider Cover	1
13	C233 4411	Front Side Fence - Paper Exit	1
14	C233 4413	Side Fence Case - Paper Exit	2
15	C231 4413	Delivery Table Spring	3
16	C233 4442	Rear Bracket - Exit Table	1
17	C233 4431	Remover/Install - Exit Front	1
18	C233 4441	Front Bracket - Exit Table	1
19	C231 4415	Upper Side Fence Pin	3
20	C232 4396	Rear Lower Guide	1
21	C233 4430	Antistatic Brush	1
22	C233 4422	End Fence Case - Paper Exit	1
23	C231 4408	Side Fence Grip	1
24	C604 4410	End Plate Bracket	1
25	C604 4415	Sheet - End Plate	1
26	C231 4196	Decal - Exit Open And Close	1
27	C233 4390	Paper Exit Base	1
28	C233 4423	End Fence Sheet	1
29	C229 4376	End Fence Cushion	1
30	C232 4395	Front Lower Guide	1
31	C233 4432	Remover/install - Eexit Rear	1
32	C233 4400	Delivery Table Rear Stay	1
33	C233 4399	Delivery Tabl Front Stay	1
34	C233 4424	Pin - Lower End Fence	2
35	C217 4426	Shoulder Screw	2

Index No.	Part No.	Description	Q'ty Per Assembly
36	C231 4438	Stepped Screw	4
37	C231 4409	Support Plate	2
38	C604 4430	End Fence Ass'y	1
39	C604 4432	Cushion End Plate	1
40	C604 4413	Spacer - End Plate	1
41	C604 4414	Cover - End Plate	1
42	C604 4416	Adjusting Screw	1
43	C604 4421	Side Fence Spacer - Rear	1
44	C604 4422	Exit Table Cover	2
45	C604 4420	Side Fence Spacer - Front	1
46	C233 4410	Slide Cover - Paper Exit	1
47	C233 1011	Paper Delivery Hinge Ass'y	1
48	C233 4409	Base Spacer - Paper Exit Sub-unit	2
49	C235 4497	Side Fence Spacer Shield Small	2
50	C593 4201	Side Fence Spacer Shield	2
101	0452 3008H	Binding Self-tapping Screw - 3x8	
102	0450 3012B	Tapping Screw -3x12	
103	0451 3008B	Tapping Screw - M3x8	
104	0720 0030Z	Retaining Ring - M3	
105	0451 4006H	Tapping Screw - M4x6	
106	0451 4006B	Tapping Screw - 4x6	
107	0450 4008B	Tapping Screw - 4x8	

## 21. Delivery Table 2 (C235)

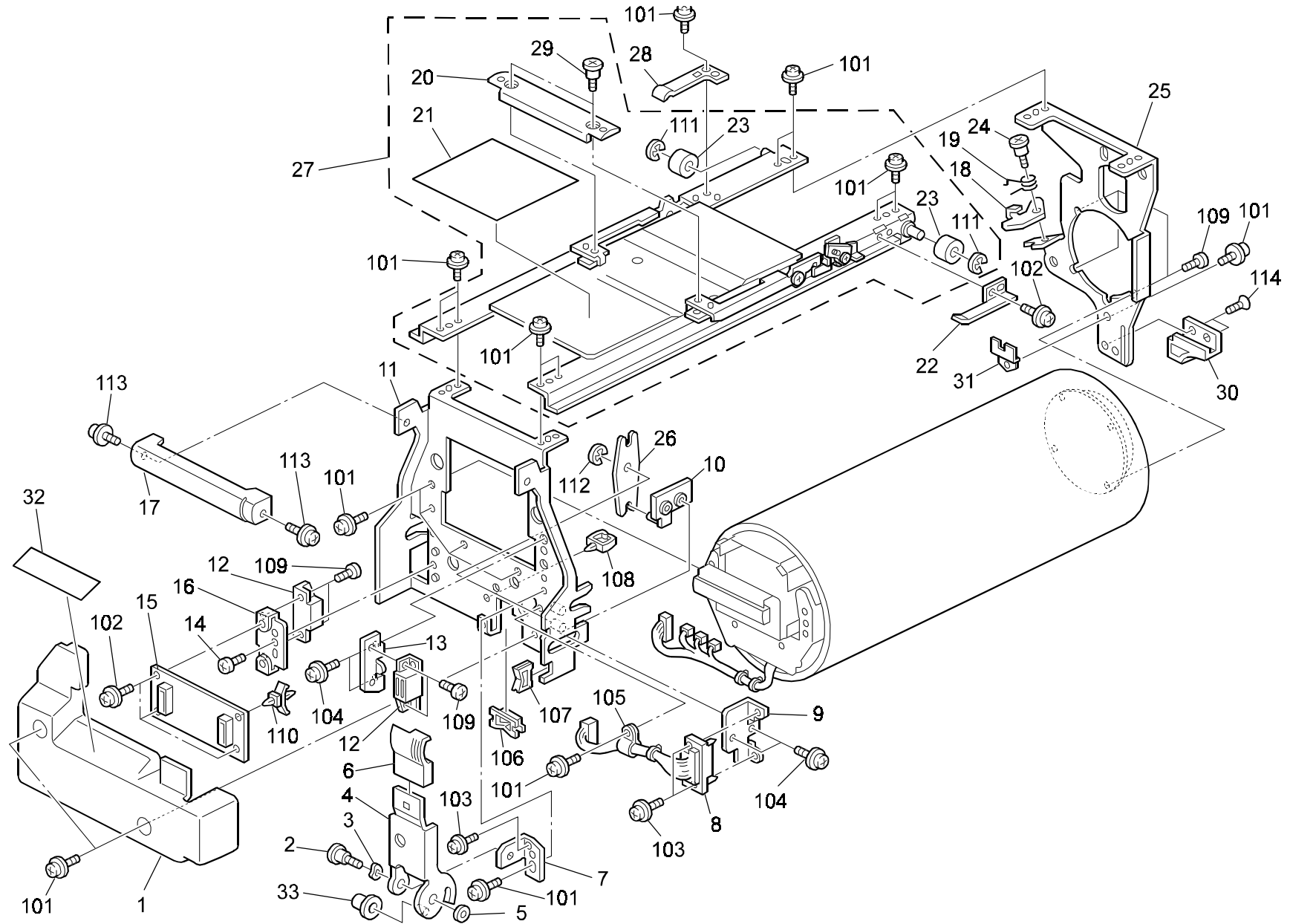


## 21. Delivery Table 2 (C235)

Index No.	Part No.	Description	Q'ty Per Assembly
1	C229 4702	Lift Motor Gurd Plate	1
2	C236 5269	Assortment Sensor Harness	1
3	C229 5823	DC Motor - 20W	1
4	5324 1658	Bushing- 4x8x4.5mm	2
5	C229 4671	Sensor Bracket	1
6	AW02 0075	Photointerruptor	1
7	C229 4712	Timing Belt	1
8	C229 4701	Lift Motor Bracket	1
9	C229 4724	Harness Clamp	2
10	C229 4708	Screw Shaft	1
11	C229 4711	Timing Pulley	1
12	C229 5805	Stepper Motor - DC24V	1
13	C229 4715	Slide Drive Gear	1
14	C229 4709	Screw Shaft Boss	1
15	C229 4734	Slider Spring Plate	1
16	C229 4718	Slider Holder	1
17	C229 4725	Separator Slider	1
18	C229 5813	Switch	3
19	C229 4726	Separator Arm Link	1
20	C229 4733	Arm Spring	1
21	C229 4729	Separator Arm	1
22	C229 4730	Separator Arm Holder	1
23	C236 5270	Assortment Harness	1
24	C229 4703	Separator Slider Bracket	1
25	C236 4650	Assortment Ass'y	1

Index No.	Part No.	Description	Q'ty Per Assembly
101	0451 3006B	Tapping Screw - M3x6	
102	0720 0030E	Retaining Ring - M3	
103	1105 0199	Clamp	
104	0451 4006B	Tapping Screw - 4x6	
105	0353 0050B	Philips Truss Head Screw - M3x5	
106	0720 0020E	Retaining Ring - M2	
107	0352 5040B	Bind Screw - M2.5x4	
108	0720 0040E	Retaining Ring - M4	
109	1105 0413	Harness Clamp	
110	1105 0229	Clamp	
111	0451 3008B	Tapping Screw - M3x8	
112	1105 0328	Harness Clamp - ES-0505	
113	0450 3006B	Tapping Screw - M3x6	
114	0241 6060B	Screw - M1.6X6	

## 22. Drum Unit 1 (C235)



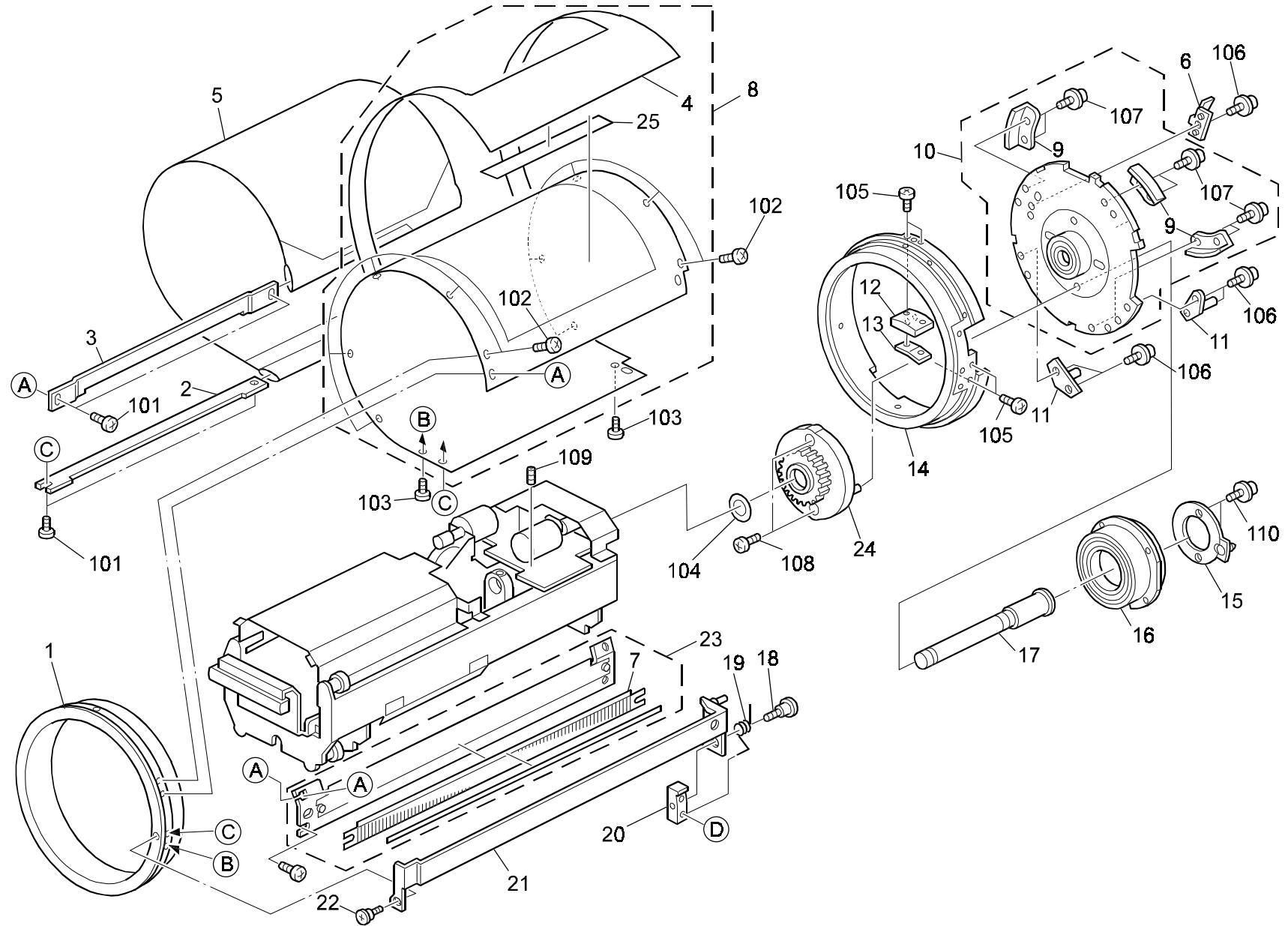
## 22. Drum Unit 1 (C235)

Index No.	Part No.	Description	Q'ty Per Assembly
1	C229 2364	Front Inner Cover	1
2	C219 3950	Stepped Screw	1
3	C217 5102	Spring Washer	1
4	C236 2367	Switch Lever	1
5	AA13 2080	Spacer - Cleaning Brush	1
6	C229 2357	Switch Lever Knob	1
7	C236 2365	Switch Lever Bracket	1
8	C236 5212	Ink Sensor Harness	1
9	C236 2360	Connector Bracket	1
10	C236 2359	Connector Slider	1
11	C236 2351	Front Side Plate Ass'y	1
12	5054 0536	Magnet Catch Ass'y	2
13	C229 2377	Magnet Catch Bracket	1
14	5875 2088	Shoulder Screw - M4	1
15	C229 5140	Ink Detection Board	1
16	C236 2353	Front Bracket - Magnet Catch	1
17	C229 2362	Drum Release Grip	1
18	C229 2405	Drum Stopper Arm	1
19	C229 2406	Drum Lock Spring	1
20	C229 2385	Grip Rail	1
21	C229 2399	Decal - Drum Operation	1
22	C229 2396	Spring Plate	1
23	C201 4604	Drum Rail Roller	2
24	C229 2413	Stepped Screw - Drum Lock	1
25	C229 2441	Rear Drum Frame	1
26	C236 2608	Switch Arm	1
27	C229 2313	Drum Rail Ass'y	1
28	C229 2394	Spring Plate	1
29	C201 5125	Stepped Screw - M6	2
30	C233 2645	Rear Drum Frame Stand	1
31	C229 2644	Rear Dram Frame Aux.	1
32	C233 1295	Decal - Ink Supply	1
33	C236 2370	Lever Collar	1

Index No.	Part No.	Description	Q'ty Per Assembly
101	0951 4006Z	Philips Screw With Flat Washer - M4	
102	0951 3006Z	Philips Screw With Flat Washer - M3	
103	0951 3008Z	Philips Screw With Flat Washer - M3	
104	0951 4008Z	Philips Screw With Flat Washer M4x8	
105	1105 0016	Nylon Clamp - 4N	
106	1105 0113	Edge - P108	
107	1105 0329	Clamp - ES-0510	
108	1105 0199	Clamp	
109	0353 0060Z	Screw - M3X6	
110	1105 0193	Nylon Stud	
111	0720 0040E	Retaining Ring - M4	
112	0720 0050Z	Retaining Ring - M5	
113	0801 0103	Screw - M4X8	



# 23. Drum Unit 2 (C235)

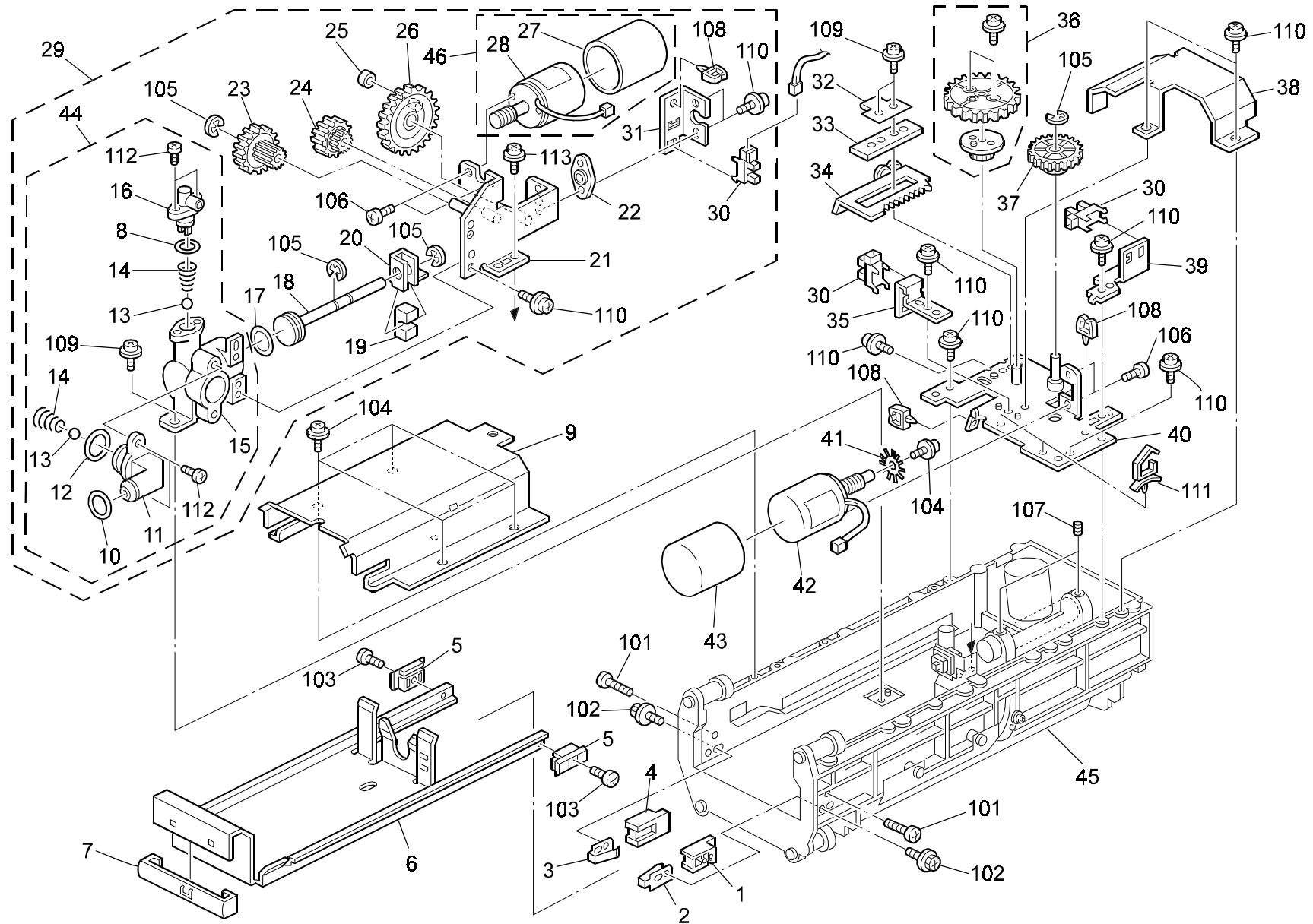


## 23. Drum Unit 2 (C235)

Index No.	Part No.	Description	Q'ty Per Assembly
1	C236 2420	Front Outer Flange - S	1
2	C236 2479	Rear Screen Stay	1
3	C229 2596	Front Screen Clamper	1
4	C236 2493	Drum Metal Screen Shield (A3)	1
4	C236 2496	Drum Metal Screen Shield (DLT)	1
4	C605 2493	Drum Metal Screen Shield (A4)	1
5	<b>C236 2316</b>	<b>Drum Cloth Screen Ass'y</b>	<b>1</b>
6	C229 2434	Switch Acuator	1
7	C229 2605	Clamper Seal	1
8	C236 2491	Drum Metal Screen Ass'y (A3)	1
8	C236 2495	Drum Metal Screen Ass'y (DLT)	1
8	C605 2491	Drum Metal Screen Ass'y (A4)	1
9	C229 2428	Slider	3
10	C229 2419	Rear Drum Disk	1
11	C229 2431	Drum Positioning Pin	2
12	C229 2423	Fixing Plate	1
13	C229 2424	Plate Nut	1
14	C229 2422	Rear Outer Flange	1
15	C229 2379	Drum Guide Disk	1
16	C229 2442	Rear Drum Flange	1
17	C229 2647	Drum Shaft	1
18	5350 1754	Stud - M5x4	1
19	C236 2596	Clamp Spring	1
20	C236 2595	Clamp Protection	1
21	C236 2590	Clamper Ass'y	1
22	C229 2601	Front Stepped Screw	1
23	C236 2591	Clamper Base	1
24	C229 2435	Drive Gear - 50Z	1
25	C236 2498	Dram Metal Screen Shield	2

Index No.	Part No.	Description	Q'ty Per Assembly
101	0354 0060Z	Philips Truss Head Screw - M4x6	
102	0353 0060Z	Screw - M3X6	
103	0354 0040Z	Screw - M4X4	
104	0807 7114	Washer - 16x24x0.3mm	
105	0353 0100Z	Bind Screw - M3x10	
106	0951 4006Z	Philips Screw With Flat Washer - M4	
107	0951 4008Z	Philips Screw With Flat Washer M4x8	
108	0314 0080Z	Philips Screw - 4x8	
109	0574 0040E	Hexagon Headless Set Screw - M4x4	
110	0594 0100Z	Bolt - M4x10	

# 24. Drum Unit 3 (C235)

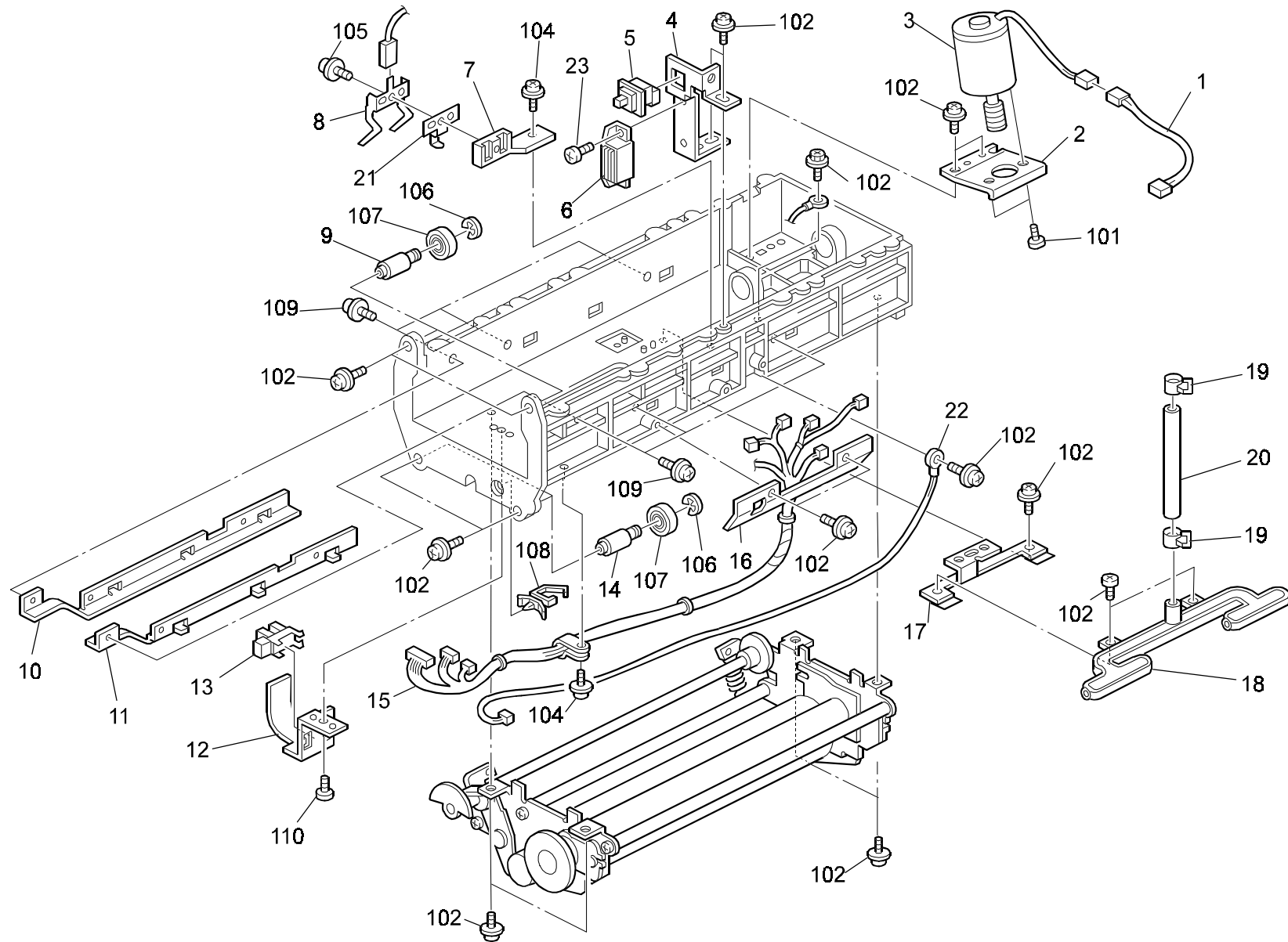


## 24. Drum Unit 3 (C235)

Index No.	Part No.	Description	Q'ty Per Assembly
1	C229 2496	Right Guide - Slide Rail	1
2	C229 2493	Right Ink Holder	1
3	C229 2500	Left Ink Holder	1
4	C229 2499	Left Guide - Slide Rail	1
5	C229 2488	Ink Holder Slider	2
6	C236 2485	Rear Ink Holder Ass'y (RIC)	1
6	C236 2489	Ink Holder M (NRG)	1
7	C229 2487	Ink Holder Knob	1
8	C229 2514	O-ring P9	1
9	C229 2498	Ink Cartridge Cover	1
10	C229 2515	O-ring P10	1
11	C229 2509	Ink Supply Pump	1
12	C229 2516	O-ring P14	1
13	5600 1403	Ball	2
14	C224 4715	Pump Spring - 13 mm	2
15	C229 2532	Pump Case	1
16	C229 2510	Pump Cap	1
17	C229 2517	O-ring P16	1
18	C229 2511	Pump Shaft	1
19	C229 2519	Pump Shaft Guide	1
20	C229 2518	Pump Shaft Holder	1
21	C229 2520	Pump Drive Bracket	1
22	C229 2531	Pump Shaft Bushing	1
23	C229 2528	Worm Gear	1
24	C229 2527	Pump Gear	1
25	C229 2525	Bushing - Pump Drive Gear	1
26	C229 2526	Large Drive Gear	1
27	C229 2537	Pump Motor Cover	1
28	C229 5803	DC Motor - 50W	1
29	C236 2501	Drum Pump Ass'y	1
30	AW02 0075	Photointerruptor	3
31	C229 2530	Ink Pump Sensor Bracket	1
32	C229 2609	Spring Plate	1
33	C229 2580	Slide Fixed Plate	1
34	C229 2583	Slider	1

Index No.	Part No.	Description	Q'ty Per Assembly
35	C229 2581	Drum H.P Sensor Bracket	1
36	C229 2624	Shift Drive Gear	1
37	C229 2576	Worm Gear	1
38	C229 2589	Drum Shift Cover	1
39	C229 2582	Drum Shift Sensor Bracket	1
40	C229 2571	Shift Motor Bracket	1
41	C229 1177	Shift Sensor Encoder	1
42	C229 5820	DC Motor - 20W	1
43	C229 2590	Shift Motor Cover	1
44	C229 2502	Ink Pump Ass'y	1
45	C233 2541	Drum Unit Frame	1
46	C229 2529	Ink Supply Motor	1
101	0314 0120Z	Philips Screw - 4x12	
102	0450 3008B	Tapping Screw - M3x8	
103	0353 0040B	Screw - M3X4	
104	0951 3006Z	Philips Screw With Flat Washer - M3	
105	0720 0050Z	Retaining Ring - M5	
106	0353 0040B	Screw - M3X4	
107	0574 0040E	Hexagon Headless Set Screw - M4x4	
108	1105 0199	Clamp	
109	0951 4008Z	Philips Screw With Flat Washer M4x8	
110	0951 4006Z	Philips Screw With Flat Washer - M4	
111	1105 0310	Harness Clamp - LWS-1S	
112	0314 0060Z	Philips Pan Head Screw - M4x6	

## 25. Drum Unit 4 (C235)

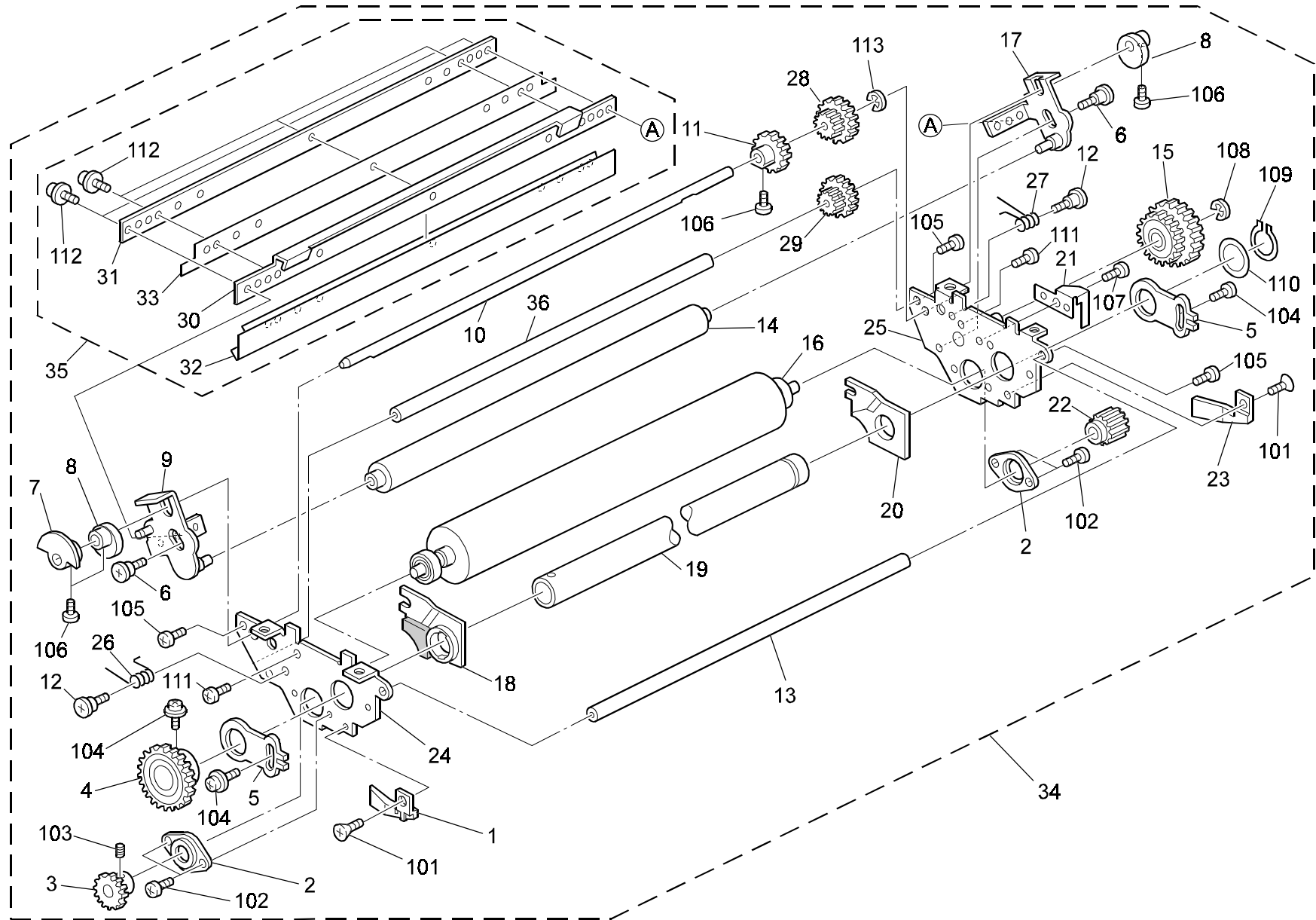


## 25. Drum Unit 4 (C235)

Index No.	Part No.	Description	Q'ty Per Assembly
1	C229 5256	Harness - Oil Supply Motor	1
2	C229 2558	Motor Bracket	1
3	C229 5804	DC Motor - 20W	1
4	C229 2490	Ink Bottle Bracket	1
5	AW50 0012	Push Switch	1
6	5054 0536	Magnet Catch Ass'y	1
7	C229 2491	Ink Sensor Bracket	1
8	C233 2493	Ink Sensor Terminal	1
9	C229 2369	Bearing Shaft	1
10	C229 2494	Left Slide Rail	1
11	C229 2495	Right Slide Rail	1
12	C229 2563	Sensor Bracket	1
13	AW02 0075	Photointerruptor	1
14	C229 2371	Bearing Shaft - Lower Left	1
15	C236 5214	Drum Unit Harness	1
16	C229 2542	Harness Cover	1
17	C229 2534	Distributor Bracket	1
18	C229 2535	Ink Distributor	1
19	C209 4713	Hose Band	2
20	C229 2538	Ink Tube	1
21	C233 2496	Ink Sensor Terminal - Center	1
22	AW10 0022	Optics Thermistor	1
23	C593 3120	Magnet Catch Screw M3x6	2

Index No.	Part No.	Description	Q'ty Per Assembly
101	0353 0040B	Screw - M3X4	
102	0951 4006Z	Philips Screw With Flat Washer - M4	
103	1105 0016	Nylon Clamp - 4N	
104	0951 4008Z	Philips Screw With Flat Washer M4x8	
105	0450 4008B	Tapping Screw - 4x8	
106	0720 0050Z	Retaining Ring - M5	
107	0740 3206	Ball Bearing - 6x19x6	
108	0353 0060Z	Screw - M3X6	
109	0951 3006Z	Philips Screw With Flat Washer - M3	
110	0354 0040Z	Screw - M4X4	
111	1105 0310	Harness Clamp - LWS-1S	

# 26. Drum Unit 5 (C235)



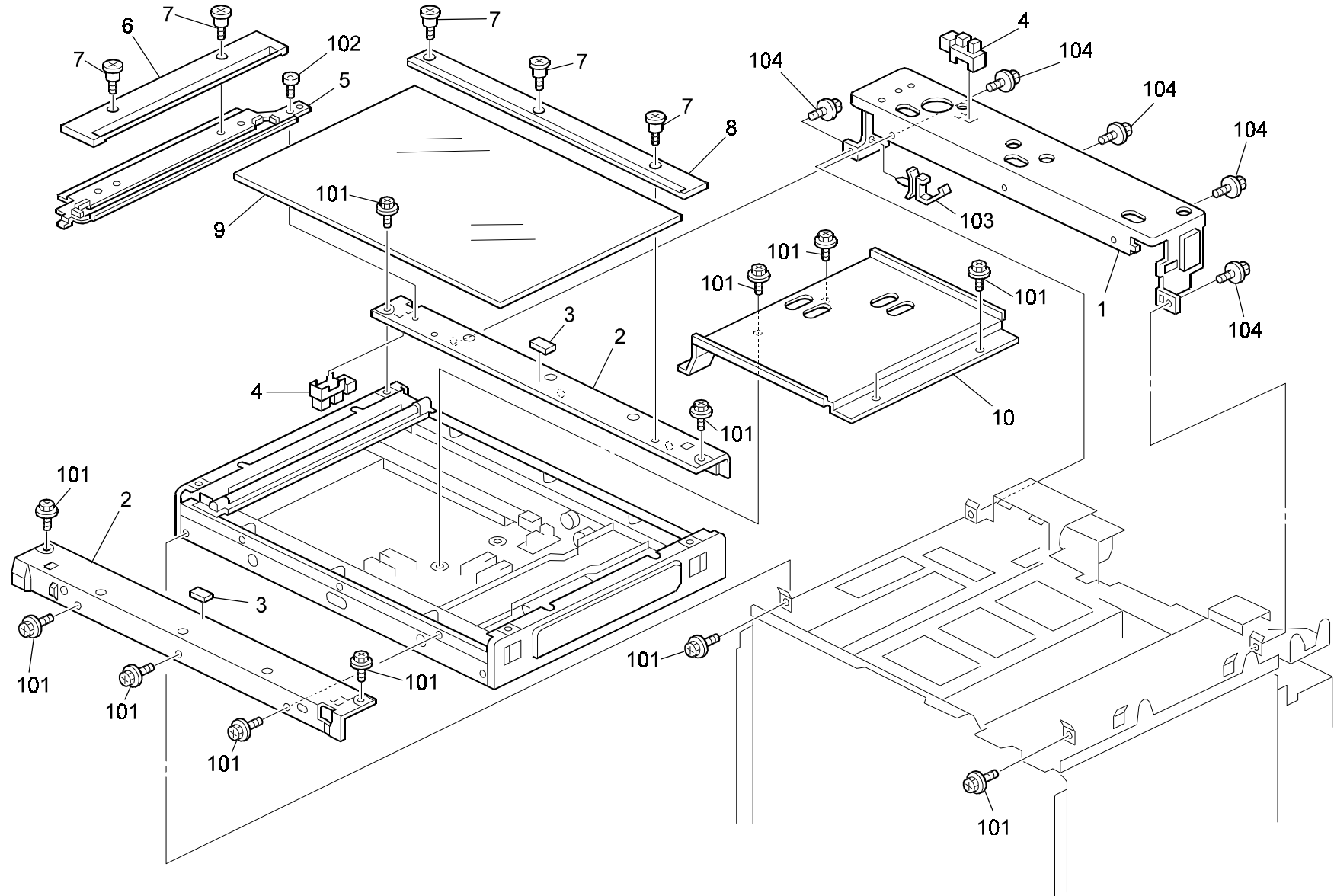
## 26. Drum Unit 5 (C235)

Index No.	Part No.	Description	Q'ty Per Assembly
1	C229 2470	Front Ink Blade	1
2	C201 4665	Bearing Holder	2
3	C229 2478	Gear - 19Z	1
4	C229 2459	Gear - 37Z	1
5	C229 2473	Adjusting Plate - Doctor Roller	2
6	C201 5125	Stepped Screw - M6	2
7	C229 2550	Sensor Actuator	1
8	C229 2557	Ink Supply Roller Arm	2
9	C236 2552	Front Side Plate - Ink Supply Roller	1
10	C236 2567	Arm Shaft	1
11	C236 2566	Return Gear	1
12	C225 6135	Stepped Screw	2
13	C229 2479	Support Stay	1
14	C236 2540	Ink Supply Roller Ass'y	1
15	C236 2466	Middle Drive Gear	1
16	C229 2451	Ink Roller	1
17	C236 2556	Rear Side Plate - Ink Supply Roller	1
18	C229 2450	Front Bank Plate	1
19	C229 2458	Doctor Roller	1
20	C229 2466	Rear Bank Plate	1
21	C236 2465	Ground Plate - Ink Roller	1
22	C229 2646	Gear Z16	1
23	C229 2471	Rear Ink Blade	1
24	C236 2461	Front Side Plate	1
25	C236 2462	Rear Side Plate	1
26	C236 2562	Front Spring	1
27	C236 2563	Rear Spring	1
28	C236 2564	Worm Wheel Gear	1
29	C236 2565	Ink Middle Gear	1
30	C236 2558	Blade Bracket	1
31	C236 2559	Blade Stay	1
32	C236 2560	Ink Blade	1
33	C236 2561	Ink Shield	1
34	C236 2305	Ink Supply Roller Ass'y	1
35	C236 2542	Ink Blade Ass'y	1

Index No.	Part No.	Description	Q'ty Per Assembly
36	C236 2464	Side Plate Stay	1
101	0323 0060Z	Philips Sunk Screw - M3x6	
102	0313 0040Z	Philips Pan Head Screw - M3x4	
103	0574 0040E	Hexagon Headless Set Screw - M4x4	
104	0951 3006Z	Philips Screw With Flat Washer - M3	
105	0314 0060Z	Philips Pan Head Screw - M4x6	
106	0312 5050Z	Philips Pan Head Screw - M2.5x5	
107	0353 0040B	Screw - M3X4	
108	0720 0080Z	Retaining Ring - M8	
109	0725 0160E	Retaining Ring C - M16	
110	0807 7114	Washer - 16x24x0.3mm	
111	0314 0080Z	Philips Screw - 4x8	



## 27. Scanner Unit 1 (C235)

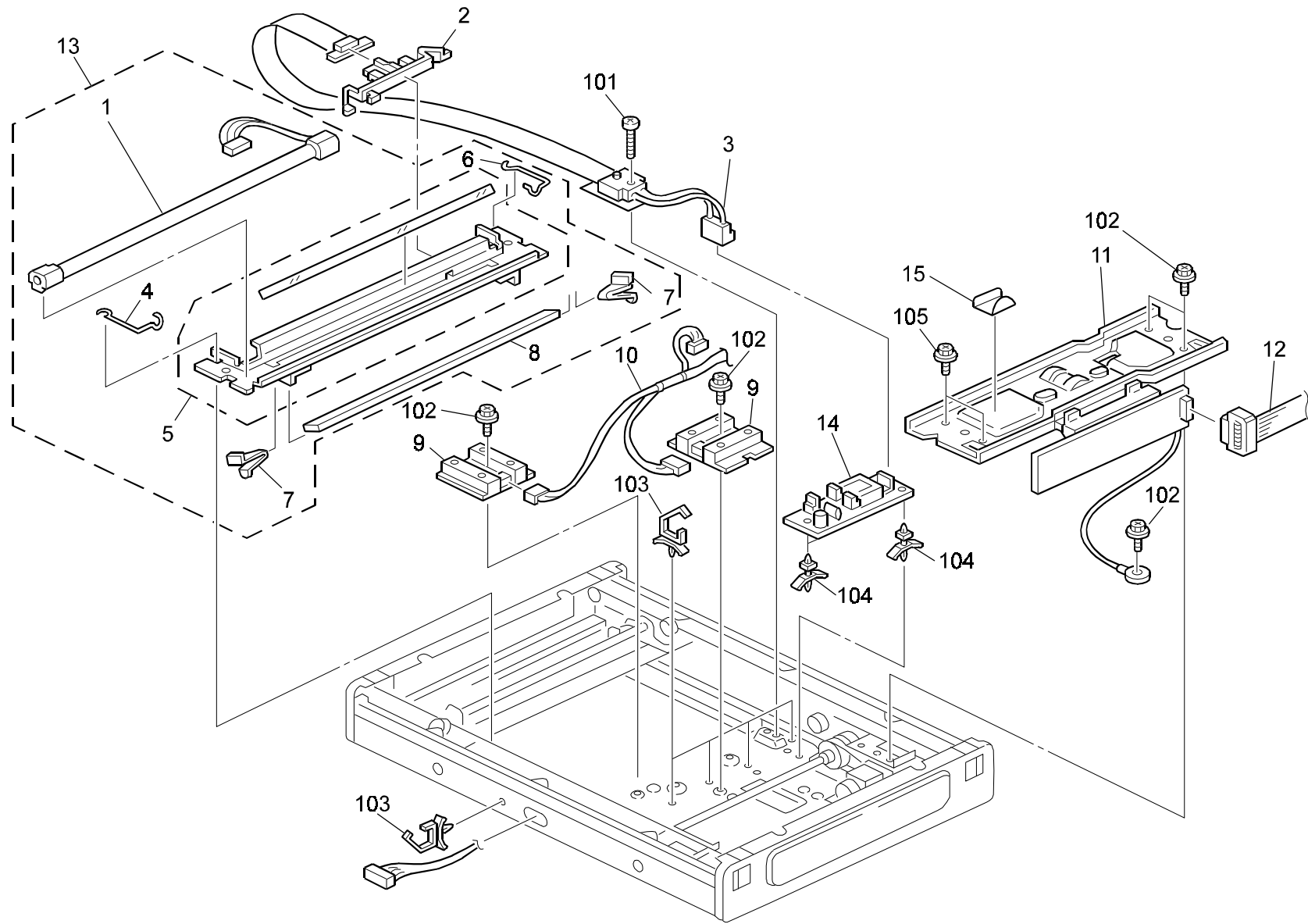


## 27. Scanner Unit 1 (C235)

Index No.	Part No.	Description	Q'ty Per Assembly
1	A267 1814	Hinge Bracket - Platen Cover	1
2	A267 1813	Scanner Frame	2
3	5442 1924	Exposure Glass Cushion	2
4	AW02 0086	Photointerruptor	1
5	A267 1743	Bracket - Scale	1
6	A250 1670	Left Scale	1
7	A193 1759	Stepped Screw	5
8	A250 1701	Rear Scale	1
9	A250 1752	Exposure Glass	1
10	A267 1815	Right Inner Cover	1

Index No.	Part No.	Description	Q'ty Per Assembly
101	0451 3006B	Tapping Screw - M3x6	
102	0353 0050Z	Philips Truss Head Screw - M3x5	
103	0802 5276	Tapping Screw With Washer - M3X6	
104	0451 3008B	Tapping Screw - M3x8	
105	1105 0460	Clamp	

## 28. Scanner Unit 2 (C235)

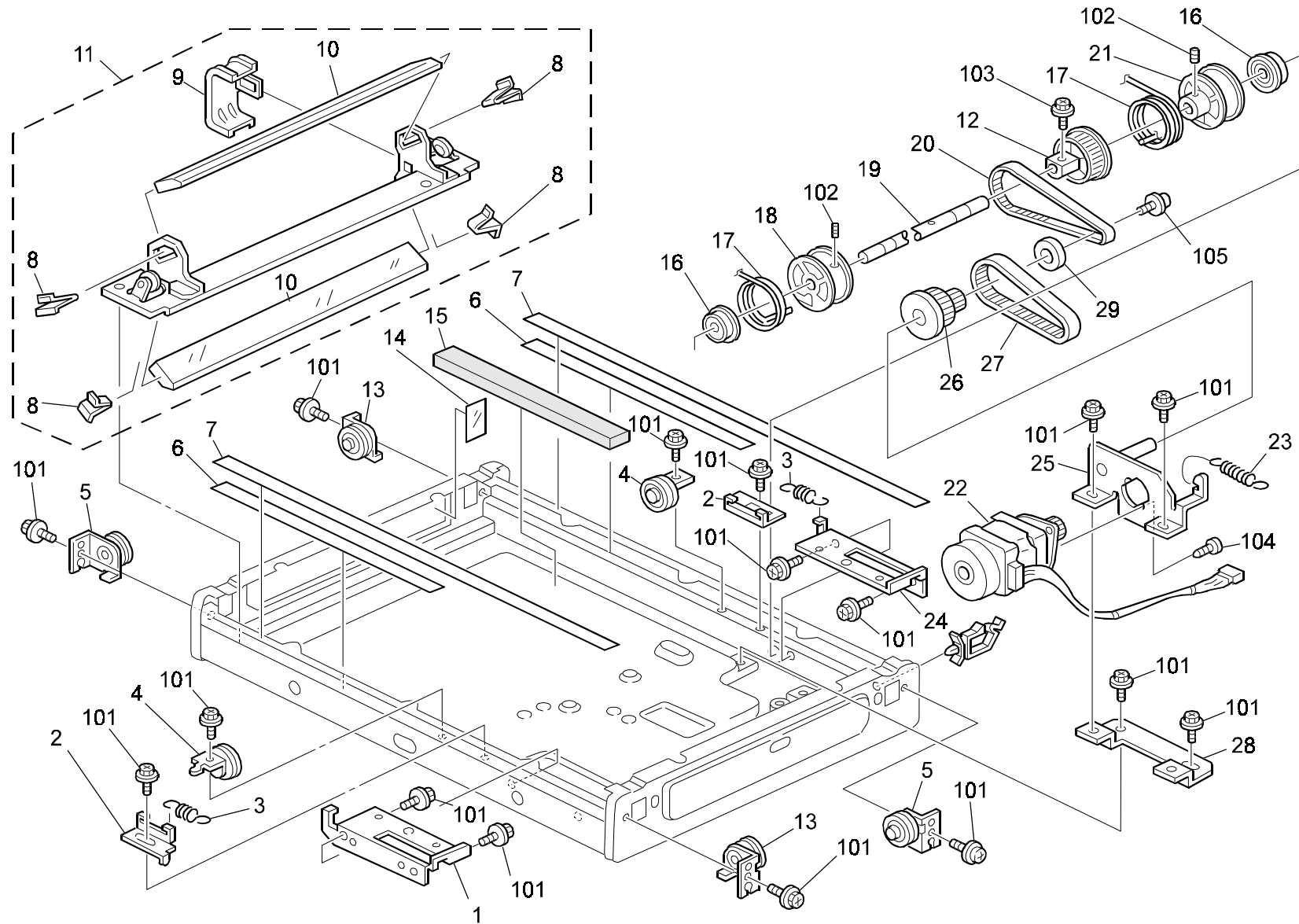


## 28. Scanner Unit 2 (C235)

Index No.	Part No.	Description	Q'ty Per Assembly
1	C236 1672	Xenon Lamp - 10	1
2	A267 1758	Harness Guide - Exposure Lamp	1
3	A267 5703	Flexible Cable	1
4	A193 1766	Wire Clamp	1
5	A267 1752	1st Scanner Housing	1
6	A193 1769	Clamp - Rear Wire	1
7	A193 1767	1st Mirror Holder	2
8	A250 1784	1st Mirror	1
9	A250 1761	Original Sensor - H=2-66	2
10	C236 5220	Scanner Harness	1
11	C236 1673	Lens Ass'y	1
12	C236 5209	SBU Harness	1
13	C236 1655	Carriage No.1 Ass'y	1
14	A250 5736	Lamp Stabilizer	1
15	C236 1719	Ground Plate - Scanner Unit	1

Index No.	Part No.	Description	Q'ty Per Assembly
101	0453 3014B	Tapping Screw - M3x14	
102	0802 5276	Tapping Screw With Washer - M3X6	
103	1105 0460	Clamp	
104	1105 0195	PCB Stud	
105	0451 3006B	Tapping Screw - M3x6	

## 29. Scanner Unit 3 (C235)

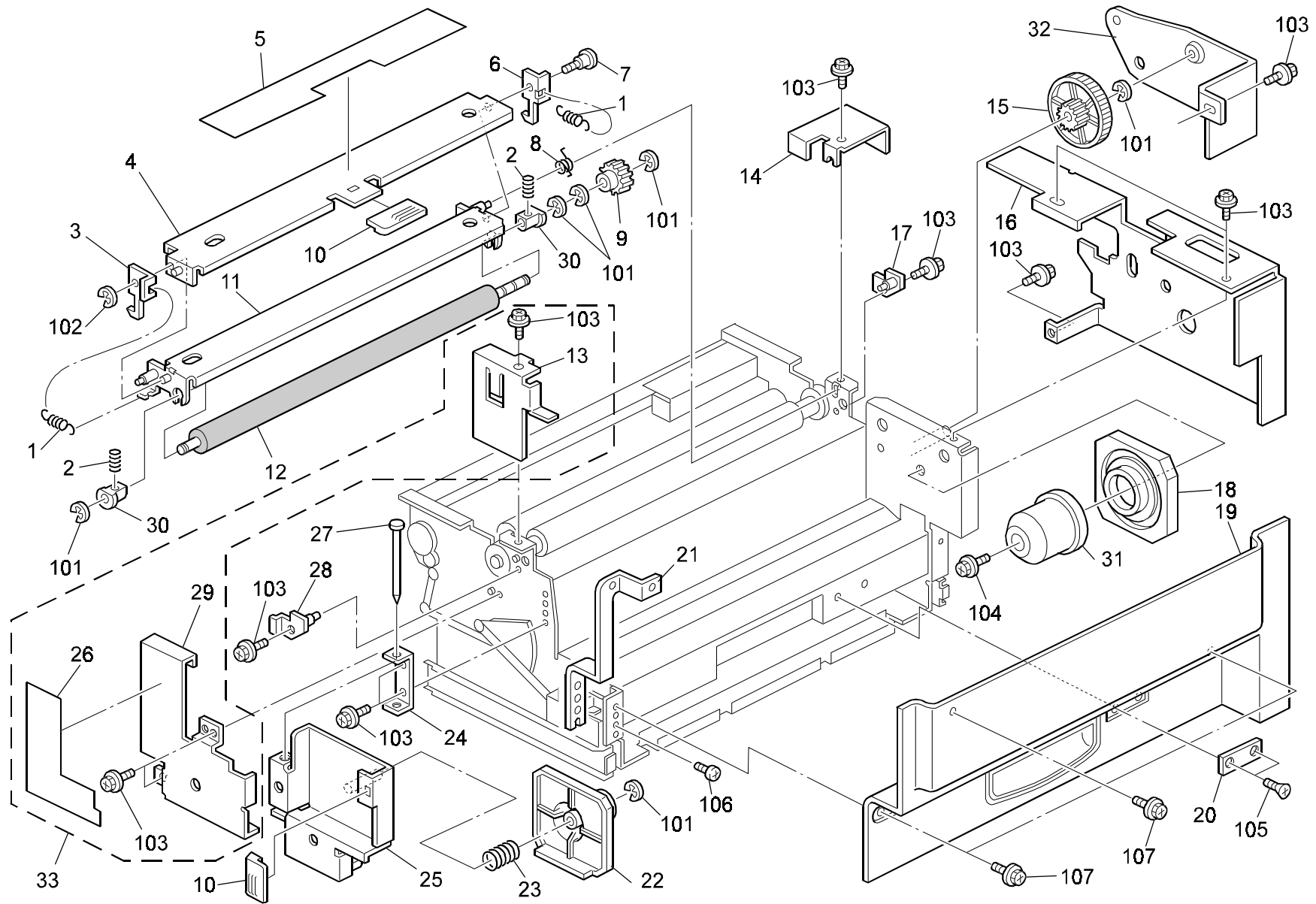


## 29. Scanner Unit 3 (C235)

Index No.	Part No.	Description	Q'ty Per Assembly
1	A267 1811	Front Stay Bracket	1
2	A267 1849	Tension Bracket	2
3	A193 1783	Tension Spring	2
4	A267 1846	Idler Bracket	2
5	A267 1853	Pulley - Front Left	2
6	A267 1817	Slide Rail - 2	2
7	A193 1816	Slide Rail	2
8	A267 1777	Mirror Holder	4
9	A267 1776	Guide - FPC	1
10	AC03 0123	3rd Mirror	2
11	A267 1671	Carriage - No.2 Ass'y	1
12	AB03 0630	Timing Pulley - 60T	1
13	A267 1854	Pulley - Rear Left	2
14	A267 1819	Insulating Sheet - Side Plate	1
15	A267 1816	Guide - Flexible Board	1
16	A193 1829	Ball Bearing - M8	2
17	AA05 0107	Scanner Wire	2
18	AB03 2066	Front Pulley - Wire Drive	1
19	A267 1825	Scanner Drive Shaft	1
20	C236 1822	Timing Belt - B60S2M186	1
21	AB03 2067	Rear Pulley - Wire Drive	1
22	C236 1825	Stepper Motor - Ass'y	1
23	C236 1816	Tension Spring 8215mn	1
24	A267 1812	Rear Stay Bracket	1
25	C236 1817	Motor Bracket	1
26	C236 1812	Pulley - Slow Down Ass'y	1
27	C236 1821	Timing Belt - B60S2M140	1
28	C236 1815	Stepper Motor Base	1
29	C236 1829	Slow Down Flange - Mm15	1

Index No.	Part No.	Description	Q'ty Per Assembly
101	0451 3006B	Tapping Screw - M3x6	
102	0575 0050E	Hexagon Headless Set Screw - M5x5	
103	0451 3008B	Tapping Screw - M3x8	
104	0313 0050B	Philips Pan Head Screw - M3x5	
105	0951 3006Z	Philips Screw With Flat Washer - M3	

# 30. Plotter Unit 1 (C235)



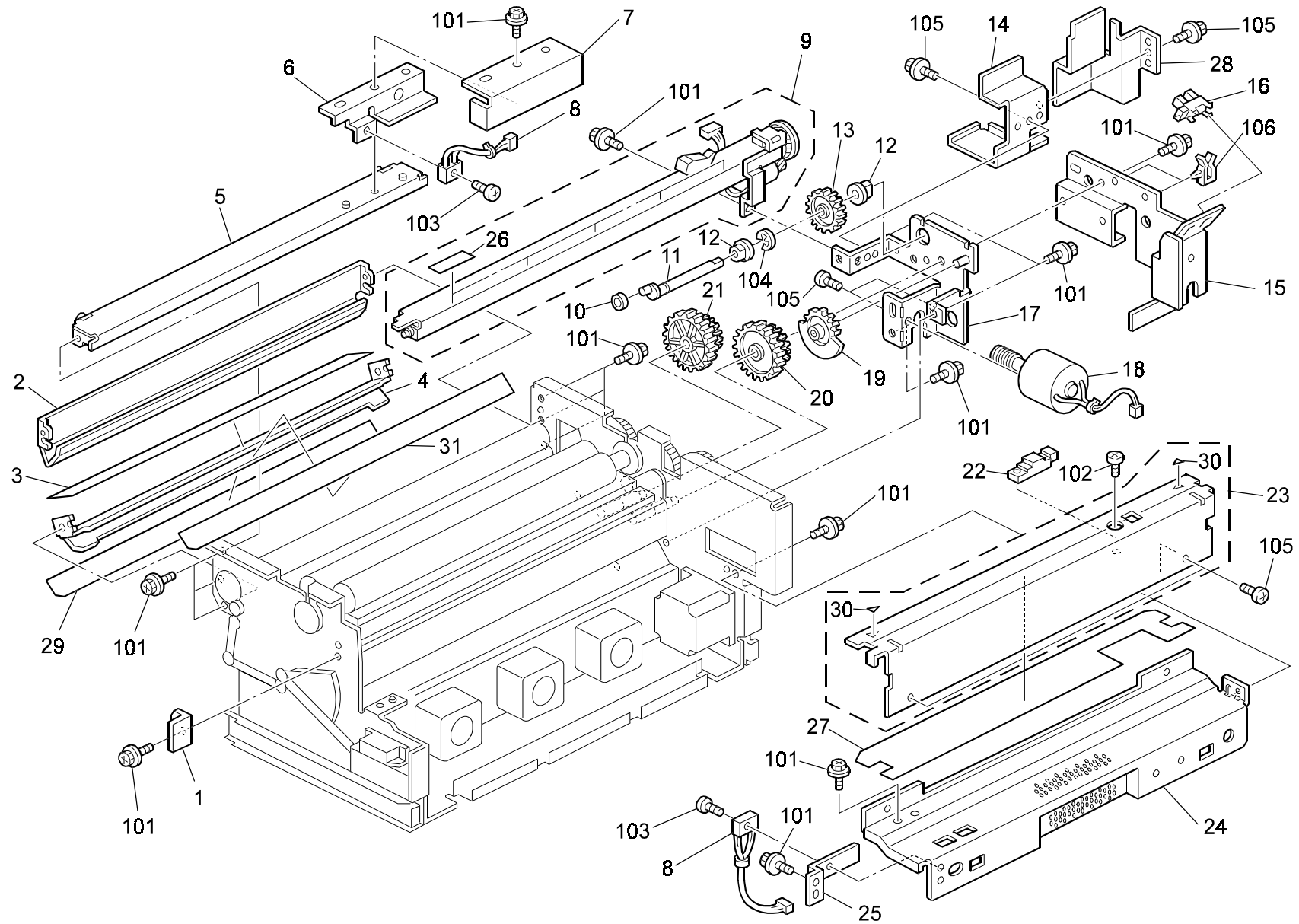
### 30. Plotter Unit 1 (C235)

Index No.	Part No.	Description	Q'ty Per Assembly
1	C229 2159	Pressure Spring	2
2	C236 2004	Compression Spring	2
3	C229 2148	Left Arm - Master Feed Roller	1
4	C229 2147	Master Roller Bracket	1
5	C229 2138	Decal - Master Set	1
6	C229 2149	Right Arm - Master Feed Roller	1
7	A077 4162	Shoulder Screw - M3	1
8	C229 2160	Release Spring	1
9	C229 2161	Master Feed Roller Gear	1
10	C229 2158	Master Feed Roller Knob	2
11	C229 2172	Master Feed Roller Stay	1
12	C233 2157	Master Feed Roller	1
13	C236 1976	Front Stopper	1
14	C236 1983	Platen Stopper Ass'y	1
15	C229 2028	Maser Roll Pulley	1
16	C229 1982	Rear Cover	1
17	C236 2170	Rear Pin - Operation Panel	1
18	C236 2183	Rear Flange	1
19	C229 2132	Plotter Cover	1
20	C213 2435	Magnet Plate	1
21	C229 1979	Stay - Plotter Cover	1
22	C236 2195	Front Flange Ass'y	1
23	C236 2190	Master Pressure Spring	1
24	C229 2188	Front Master Stay	1
25	C229 2193	Front Bracket - Master Flange	1
26	C229 1978	Decal - Master Removal	1
27	C229 2187	Bracket Hinge Pin	1
28	C236 2165	Front Pin - Operation Panel	1
29	C229 1977	Plotter Cover - Front	1
30	C233 2162	Bushing	2
31	C236 2186	Rear Master Flange - P1 (RIC)	1
31	C236 2187	Rear Master Flange - P2 (NRG)	1
32	C236 2028	Supporting Plate - Plotter Drive	1
33	C236 1975	Plotter Front Cover Ass'y	1

Index No.	Part No.	Description	Q'ty Per Assembly
101	0720 0040E	Retaining Ring - M4	
102	0720 0030E	Retaining Ring - M3	
103	0451 3006B	Tapping Screw - M3x6	
104	0451 3008B	Tapping Screw - M3x8	
105	0324 0140B	Philips Sunken Head Screw - M4x14	
106	0354 0060B	Screw - M4X6	
107	0451 4006H	Tapping Screw - M4x6	



# 31. Plotter Unit 2 (C235)

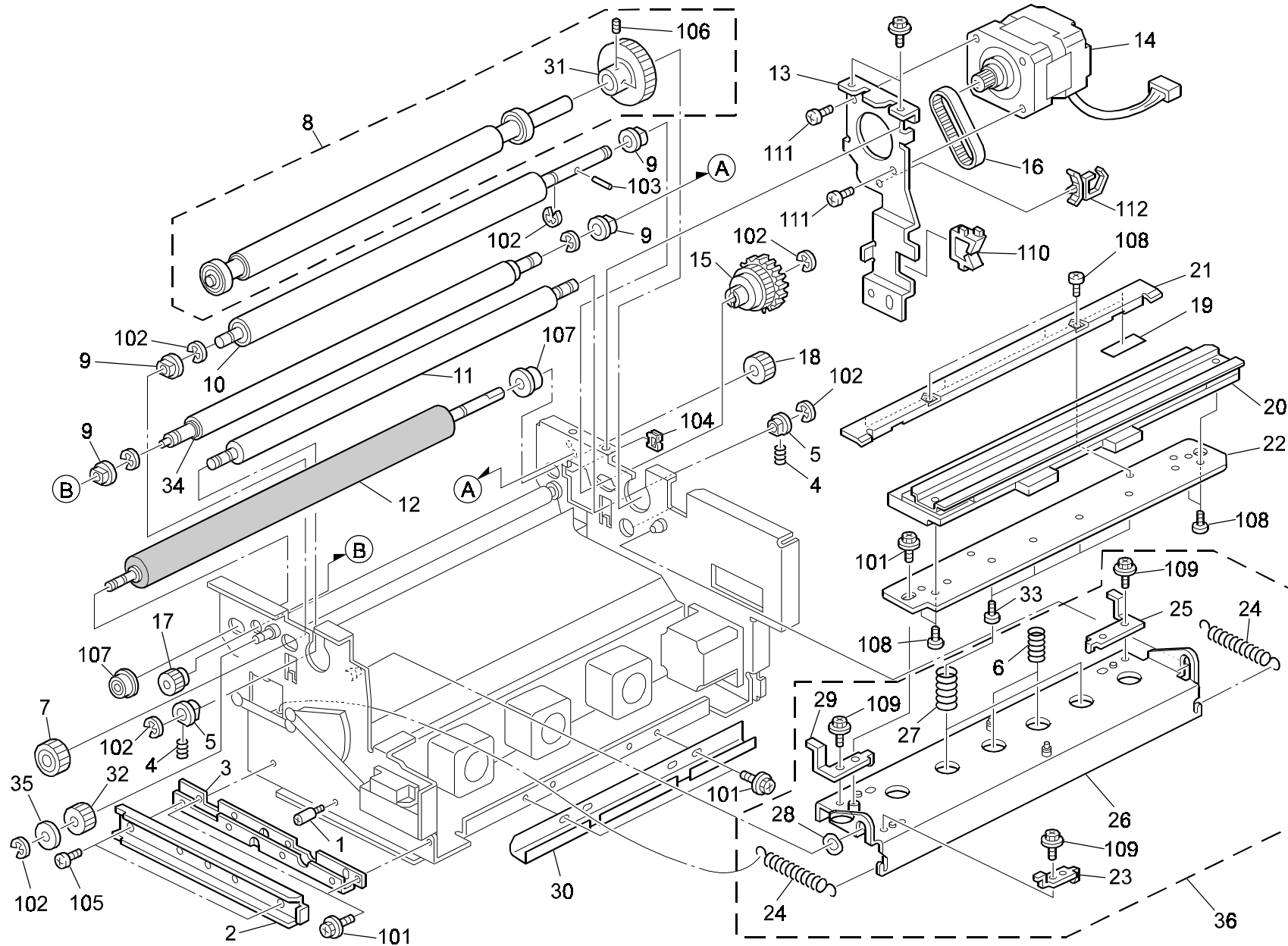


### 31. Plotter Unit 2 (C235)

Index No.	Part No.	Description	Q'ty Per Assembly
1	C229 2189	Master Flange Spring	1
2	C236 2037	Lower Guide Myler	1
3	C236 2039	Rear Lower Guide Plate	1
4	C236 2035	Rear Lower Guide Plate	1
5	C229 1985	Master Unit Stay	1
6	C229 2240	Bracket - Master Sensor	1
7	C229 2239	Master Sensor Cover	1
8	C209 8117	Drum Master Detection Sensor	2
9	C229 2209	Cutter Unit Ass'y	1
10	C229 2113	Release Roller	1
11	C229 2112	Release Cam	1
12	H012 1181	Bushing- 6mm	2
13	C229 2102	Drive Gear - 26Z	1
14	C236 2232	Harness Guide	1
15	C236 2234	Positioning Sensor Bracket	1
16	AW02 0075	Photointerruptor	1
17	C236 2109	Pressure Release Bracket	1
18	C229 5803	DC Motor - 50W	1
19	C229 2107	Actuator Gear	1
20	C229 2104	Idle Gear	1
21	C229 2103	Worm Gear	1
22	C229 5807	Photosensor - GP2A25	1
23	C236 2135	Lower Master Guide Plate	1
24	C229 2139	Lower Master Cover	1
25	C229 2251	Position Sensor Bracket	1
26	C229 2032	Left Guide Mylar	5
27	C236 2137	Thermal Head Master Guide	1
28	C236 2235	Rear Harness Cover	1
29	C236 2038	Guide Plate Cover	1
30	C229 2142	Decal - Master Position	2
31	C229 2037	Lower Guide Myler	1

Index No.	Part No.	Description	Q'ty Per Assembly
101	0451 3006B	Tapping Screw - M3x6	
102	0353 0060B	Philips Pan Head Screw - M3x6	
103	0352 0080B	Screw M2.5x8	
104	0720 0040E	Retaining Ring - M4	
105	0353 0040B	Screw - M3X4	
106	1105 0283	Clamp	

# 32. Plotter Unit 3 (C235)

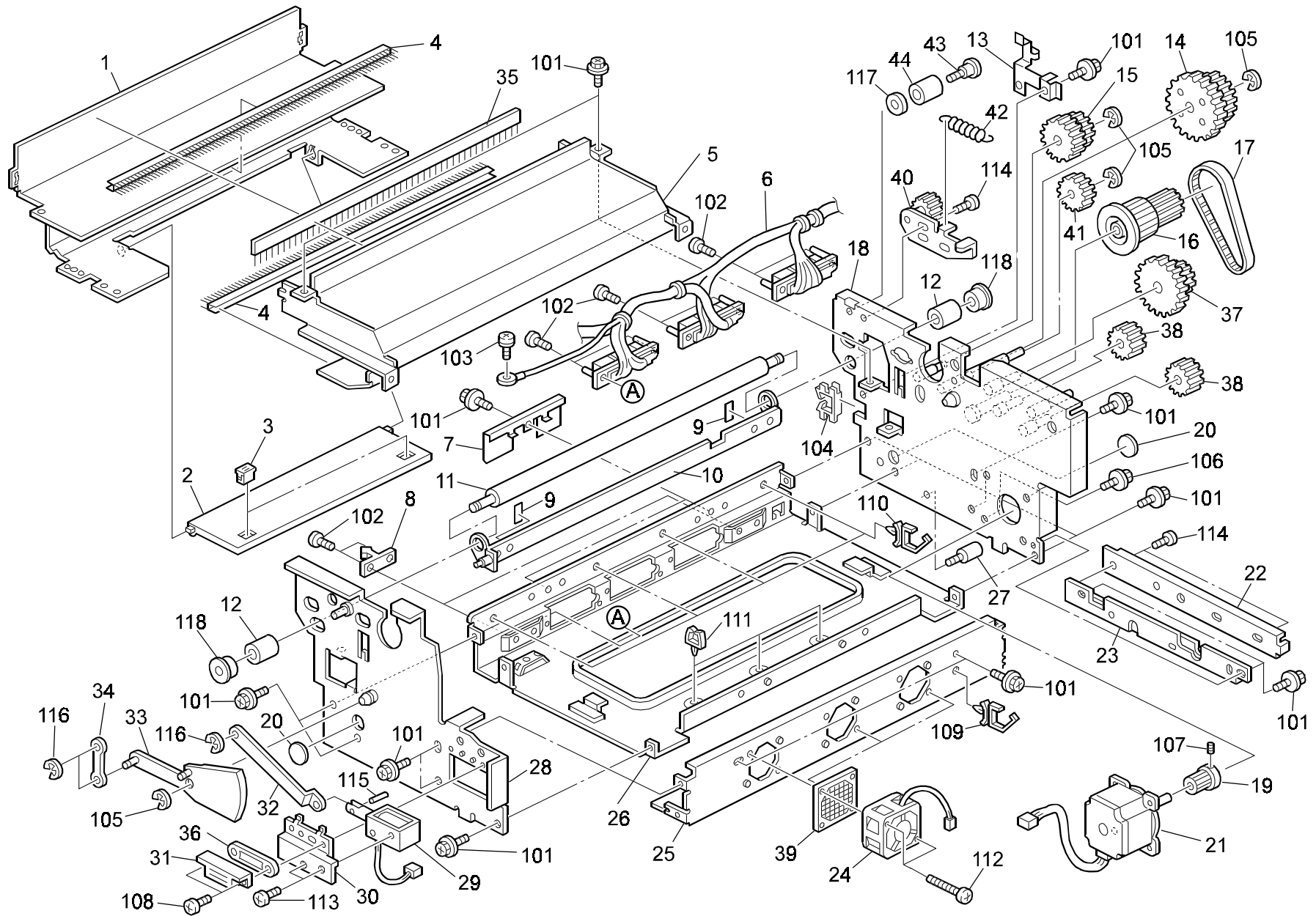


### 32. Plotter Unit 3 (C235)

Index No.	Part No.	Description	Q'ty Per Assembly
1	C229 1994	Middle Rail Stopper Ass'y	1
2	C229 1995	Slide Rail	1
3	C229 1993	Silde Rail Spacer	1
4	C236 2004	Compression Spring	2
5	C229 2006	Bushing	2
6	C236 2094	Compression Spring - 5.0n	2
7	C209 4303	Gear -27z	1
<b>8</b>	<b>C236 2080</b>	<b>Platen Roller Ass'y</b>	<b>1</b>
9	H012 1181	Bushing- 6mm	4
10	C236 2005	Roller Plate	1
11	C232 2003	Lower Tension Roller	1
12	C236 2008	Upper Reverse Roller	1
13	C236 2226	Reverse Motor Bracket	1
14	C236 5808	Stepper Motor Ass'y	1
15	C236 2019	Torque Limiter Gear - 0.15n M	1
16	C236 2018	Timing Belt - B40S2M90	1
17	C209 4305	Gear - 16Z	1
18	C236 2011	Pulley - Upper Reverse Roller	1
19	C229 2122	Right Roller Guide	4
20	C236 5180	Thermal Head - A3	1
21	C236 2119	Left Front Guide Plate	1
22	C236 2120	Thermal Head Spacer	1
23	C232 2098	Base Stopper Bracket	1
24	C236 2095	Tension Spring - Thermal Head	2
25	C232 2097	Right Rear Release Plate	1
26	C236 2087	Thermal Head Stay	1
27	C236 2093	Compression Spring - 6.9n	2
28	C218 4038	Bushing Washer - M8	1
29	C232 2096	Front Left Release Plate	1
30	C229 2249	Grounding Plate	1
31	C236 2082	Platen Gear	1
32	C200 2338	Gear - 20T	1
33	C522 2435	Screw - M3	4
34	C236 2005	Roller Plate	1
35	C236 2026	Spacer Plate - Gear Roller	1

Index No.	Part No.	Description	Q'ty Per Assembly
36	C236 2085	Thermal Head Base	1
101	0451 3006B	Tapping Screw - M3x6	
102	0720 0040E	Retaining Ring - M4	
103	0622 0100E	Spring Pin - 2x10mm	
104	1105 0328	Harness Clamp - ES-0505	
105	0353 0060Z	Screw - M3X6	
106	0574 0040E	Hexagon Headless Set Screw - M4x4	
107	0741 3706	Ball Bearing - 6x10x3	
108	0353 0040B	Screw - M3X4	
109	0353 0060B	Philips Pan Head Screw - M3x6	
110	1105 0243	Wire Saddle	
111	0353 0050B	Philips Truss Head Screw - M3x5	
112	1105 0310	Harness Clamp - LWS-1S	

### 33. Plotter Unit 4 (C235)

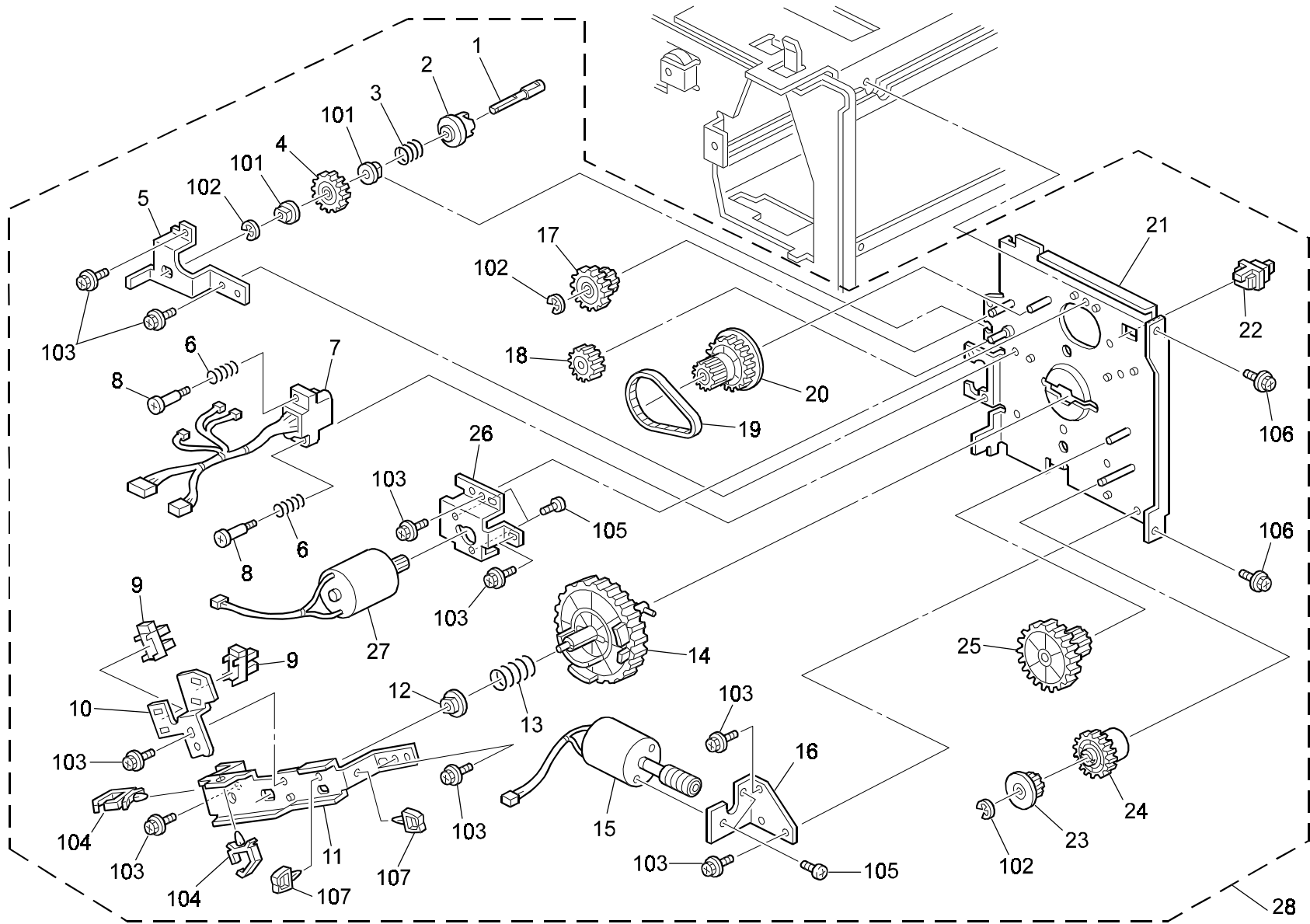


### 33. Plotter Unit 4 (C235)

Index No.	Part No.	Description	Q'ty Per Assembly
1	C236 2068	Lower Duct Case Ass'y	1
2	C229 2064	Lower Duct Cover	1
3	A049 3371	Magnet	2
4	C236 2078	Discharge Brush - Lower Duct	2
5	C236 2073	Upper Duct Case Ass'y	1
6	C236 5248	Plotter Harness	1
7	C229 2248	Left Grounding Plate	1
8	A659 1272	Door Catch	2
9	C229 2047	Right Reverse Roller Guide	2
10	C233 2042	Release Guide Plate	1
11	C236 2009	Lower Reverse Roller	1
12	C236 2010	Lower Spacer - Reverse Roller	2
13	C229 2254	Harness Cover	1
14	C236 2022	Idler Gear - Platen	1
15	C236 2024	Idler Gear - Tension	1
16	C236 2021	Slow Down Pulley	1
17	C236 2222	Timing Belt - B106MXL9.5	1
18	C236 1961	Rear Side Plate - Plotter	1
19	C219 4071	Gear - 17Z	1
20	H521 1197	Scanner Seal	2
21	C236 5802	Stepper Motor - Mm50x40	1
22	C229 1995	Slide Rail	1
23	C229 1998	Rear Rail Spacer	1
24	C222 8208	Air Knife Motor	3
25	C236 2065	Guide Plate - Right Duct	1
26	C229 2255	Plotter Bottom Plate	1
27	C229 1994	Middle Rail Stopper Ass'y	1
28	C236 1951	Front Side Plate	1
29	C209 8234	Drum Lock Solenoid	1
30	C229 2215	Solenoid Cover	1
31	C230 2198	Magnet Catch	1
32	C229 2058	Lower Guide Link	1
33	C229 2052	Release Guide Arm	1
34	C229 2057	Upper Link Arm	1
35	C229 2071	Antistatic Brush - 310	1

Index No.	Part No.	Description	Q'ty Per Assembly
36	C230 2199	Magnet Catch Spacer	1
37	C236 2023	Idler Gear - Pull Out Roller	1
38	C232 2024	Gear - 16Z	2
39	C229 2066	Fan Cover	1
40	C236 2031	Tension Bracket	1
41	C236 2027	Idler Gear - Torque Limiter	1
42	C236 2015	Tension Spring	1
43	C236 2016	Guide Screw	1
44	A376 1257	Spacer - M4x6x6	1
101	0451 3006B	Tapping Screw - M3x6	
102	0313 0080B	Philips Pan Head Screw - M3x8	
103	0354 0060B	Screw - M4X6	
104	1105 0328	Harness Clamp - ES-0505	
105	0720 0040E	Retaining Ring - M4	
106	0451 4008B	Philips Tapping Screw - M4x8	
107	0574 0040E	Hexagon Headless Set Screw - M4x4	
108	0453 3010B	Binding Self Tapping Screw - M3x10	
109	1105 0310	Harness Clamp - LWS-1S	
110	1105 0291	Harness Clamp - LWS-3S	
111	1105 0230	Clamp	
112	0353 0350B	Philips Pan Head Screw - M3x35	
113	0353 0040B	Screw - M3X4	
114	0353 0060Z	Screw - M3X6	
115	0623 0120E	Spring Pin - M3x12	
116	0720 0030E	Retaining Ring - M3	
117	0701 0030Z	Flat Washer - M3	
118	0741 3706	Ball Bearing - 6x10x3	

# 34. Master Eject 1 (C235)



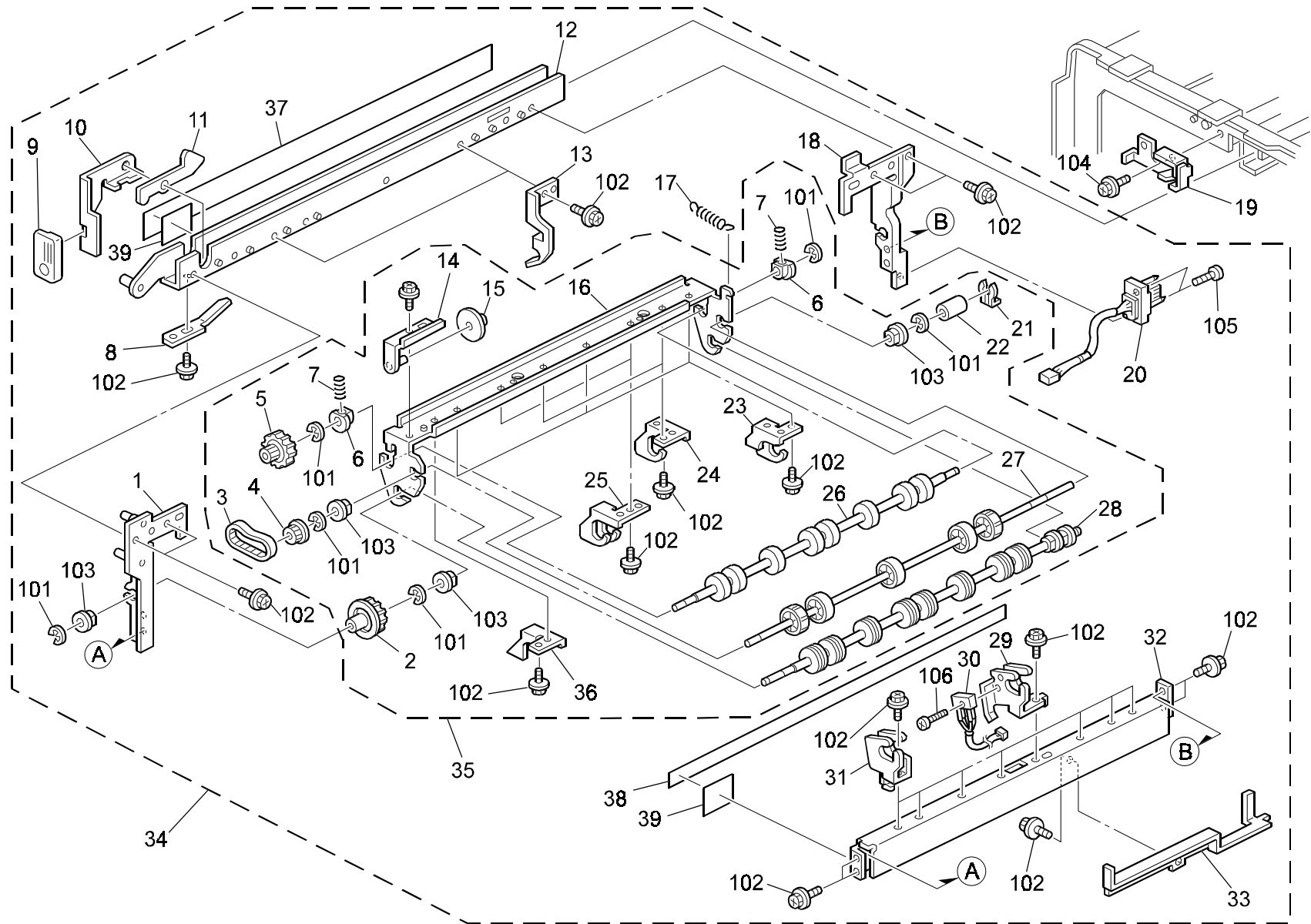
### 34. Master Eject 1 (C235)

Index No.	Part No.	Description	Q'ty Per Assembly
1	C229 3548	Joint Shaft	1
2	C229 3547	Joint Cam	1
3	C229 3541	Joint Pressure Spring	1
4	C229 2102	Drive Gear - 26z	1
5	C229 3549	Joint Gear Bracket	1
6	AA06 3163	Connector Spring	2
7	C236 5228	Relay Harness - Master Eject Unit	1
8	AA14 3120	Stepped Screw - M3x3	2
9	AW02 0075	Photointerruptor	2
10	C229 3582	Positioning Sensor Bracket	1
11	C229 3564	Eject Cam Holder	1
12	C229 3566	Bushing - 8mm	1
13	C229 3565	Master Eject Cam Spring	1
14	C229 3559	Master Eject Cam	1
15	C229 5803	DC Motor - 50W	1
16	C229 3563	Motor Bracket	1
17	C229 3545	2nd Gear - 8Z/32Z	1
18	C229 3542	3rd Gear - 22Z	1
19	C229 3551	Timing Belt - S2M160	1
20	C229 3544	Gear Pulley - 18Z/60Z	1
21	C229 3570	Rear Side Plate	1
22	AW50 0012	Push Switch	1
23	C229 3557	Gear - 17Z	1
24	C229 3556	Torque Limiter	1
25	C229 3558	2nd Gear - 18Z/49Z	1
26	C229 3543	Mortor Bracket	1
27	C229 5811	DC Motor - 50W	1
28	C236 3402	Side Plate - Master Ejection	1

Index No.	Part No.	Description	Q'ty Per Assembly
101	0805 3385	Bushing - 6mm	
102	0720 0040E	Retaining Ring - M4	
103	0451 3006B	Tapping Screw - M3x6	
104	1105 0310	Harness Clamp - LWS-1S	
105	0353 0040B	Screw - M3X4	
106	0451 4006B	Tapping Screw - 4x6	
107	1105 0199	Clamp	



# 35. Master Eject 2 (C235)

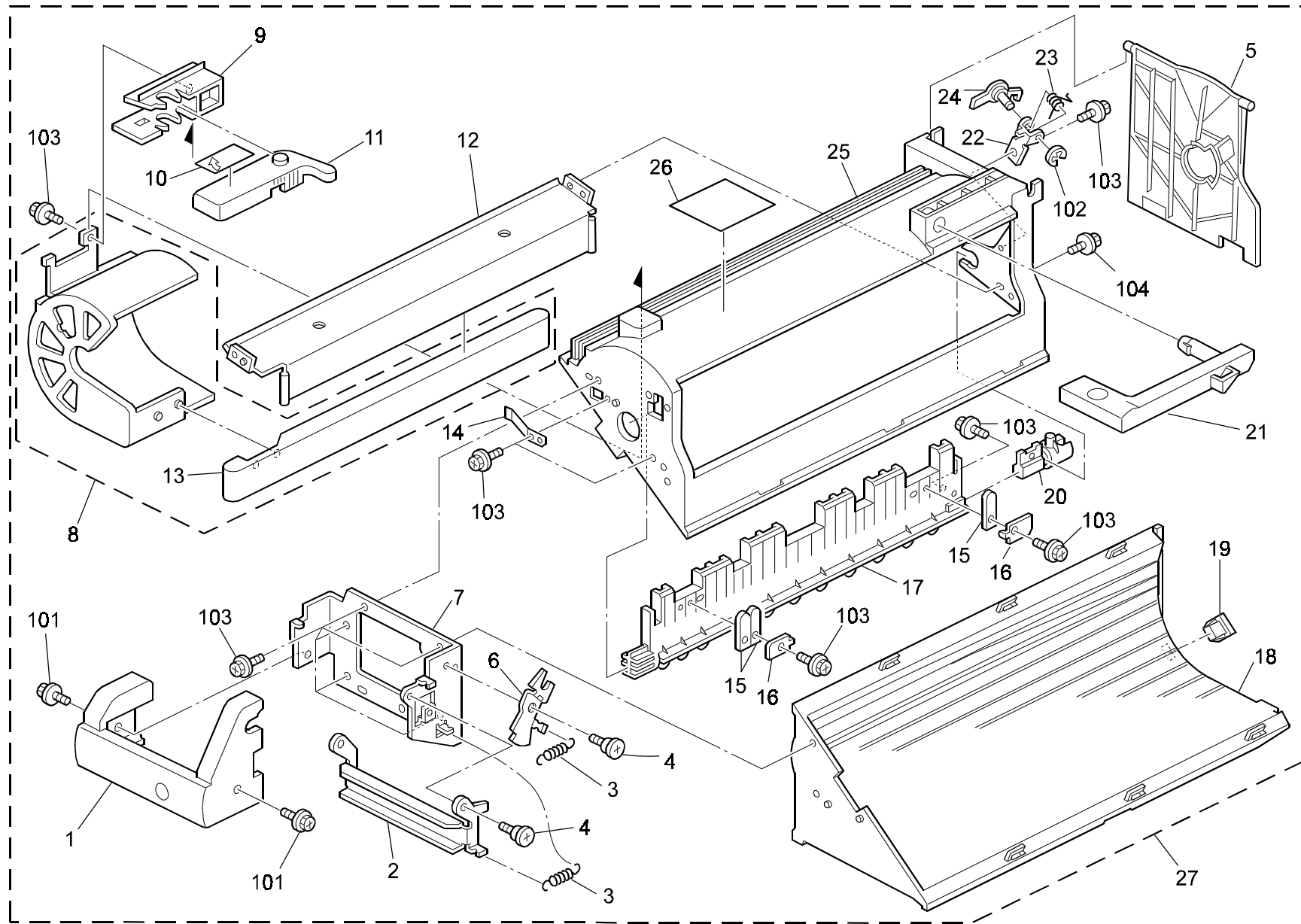


### 35. Master Eject 2 (C235)

Index No.	Part No.	Description	Q'ty Per Assembly
1	C229 3487	Front Slide Plate	1
2	C229 3537	Transport Lower Gear - 26Z	1
3	C229 3532	Timing Belt - S2M76	1
4	C229 3530	Driven Pulley - 18Z	1
5	C229 3531	Gear/Pulley - 26Z/16T	1
6	C229 3486	Bushing - Master Eject Roller	2
7	C229 3459	Pressure Spring	2
8	C229 3476	Spring Plate	1
9	C229 3471	Roller Unit Knob	1
10	C229 3478	Roller Unit Arm	1
11	C229 3474	Roller Unit Lock Arm	1
12	C229 3485	Upper Slide Rail	1
13	C229 3609	Master Edge Guide	2
14	C229 3533	Belt Tension Bracket	1
15	C229 3536	Belt Tension Collar	1
16	C229 3455	Roller Stay	1
17	C233 3482	Tension Spring - Positioning Roller	1
18	C229 3462	Rear Side Plate	1
19	C229 3589	Slide Rail Stopper	1
20	C229 5254	Harness - Master Sensor	1
21	5447 2681	Snap Ring	1
22	C229 3481	Collar - 6mm	1
23	C229 3457	Rear Upper Guide	2
24	C229 3458	Front Upper Guide	2
25	C229 3456	Middle Guide	2
26	C229 3453	Upper Transport Roller	1
27	C229 3454	Separation Roller	1
28	C229 3451	Lower Transport Roller	1
29	C229 3467	Sensor Bracket	1
30	C229 5825	Master Sensor	1
31	C229 3465	Transport Lower Guide	7
32	C229 3464	Lower Stay	1
33	C229 3488	Sensor Harness Cover	1
34	C229 3400	Master Eject Roller Ass'y	1
35	C229 3450	Transport Roller	1

Index No.	Part No.	Description	Q'ty Per Assembly
36	C229 3615	Upper Guide - Eject Roller	1
37	C233 3495	Master Eject Unit Seal - Upper	1
38	C233 3496	Master Eject Roller Unit - Lower	1
39	C233 3497	Master Eject Unit Seal	2
101	0720 0040E	Retaining Ring - M4	
102	0451 3006B	Tapping Screw - M3x6	
103	0805 3385	Bushing - 6mm	
104	0451 4006B	Tapping Screw - 4x6	
105	0313 0080B	Philips Pan Head Screw - M3x8	
106	0242 0080Z	Screw - M2X8	

# 36. Master Eject 3 (C235)

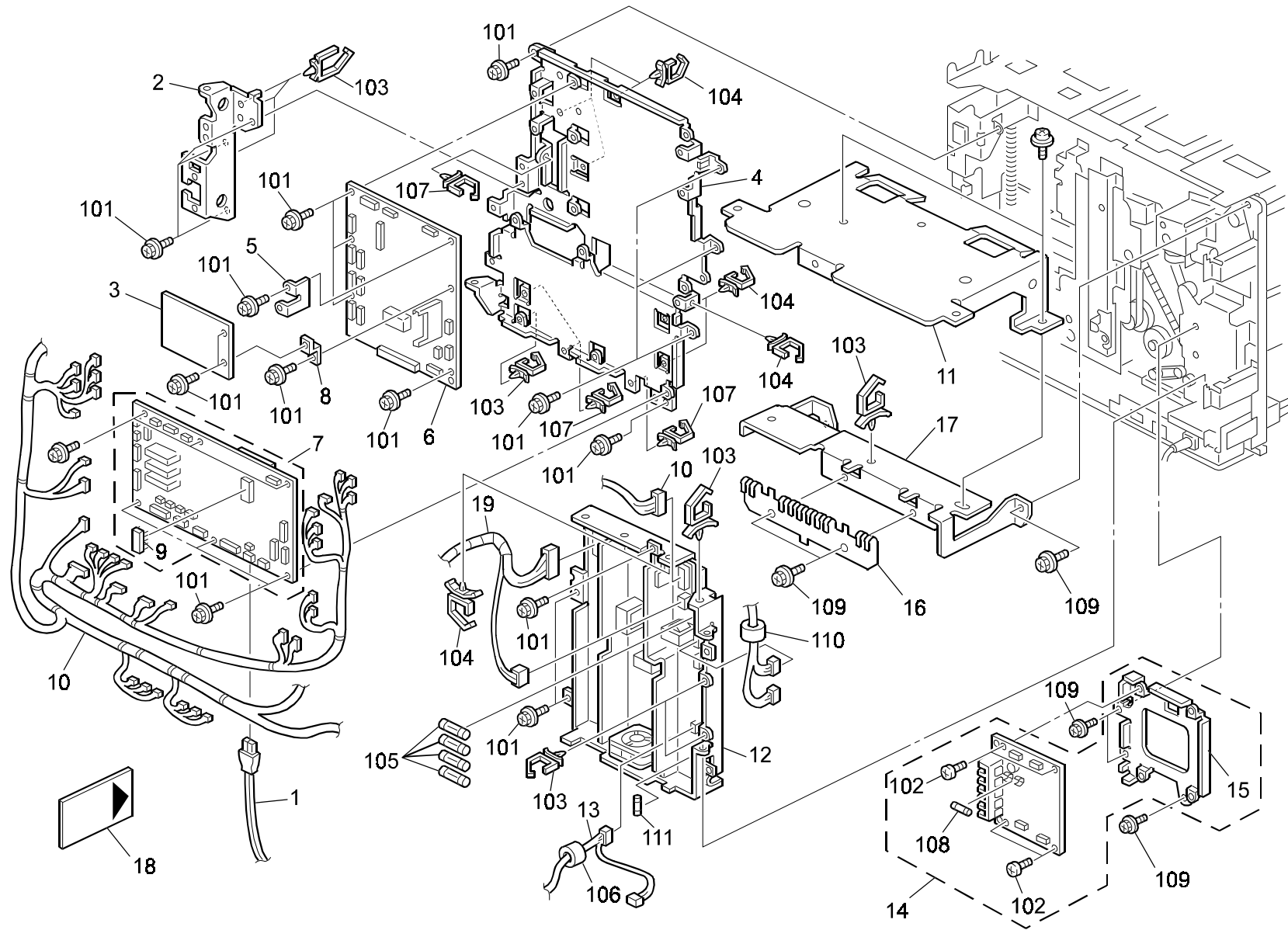


### 36. Master Eject 3 (C235)

Index No.	Part No.	Description	Q'ty Per Assembly
1	C229 3521	Master Eject Box Grip	1
2	C229 3524	Eject Box Lock Lever	1
3	C229 3525	Release Spring	2
4	C229 3522	Stepped Screw	1
5	C229 3510	Master Eject Cover	1
6	C229 3523	Eject Box Lock Arm	1
7	C229 3526	Eject Box Grip Bracket	1
8	C229 3497	Eject Box Guide Ass'y	1
9	C229 3501	Eject Box Slider	1
10	C229 3529	Decal - Delivery Table Slider	1
11	C229 3502	Slide Lock Lever	1
12	C229 3518	Eject Box Upper Stay	1
13	C229 3499	Eject Box Lower Stay	1
14	C229 3514	Grounding Plate	1
15	C229 3495	Master Stripper Pawl	3
16	C229 3496	Master Stripper Pawl Holder	2
17	C229 3493	Master Press Arm	1
18	C229 3517	Lower Left Case	1
19	A049 3371	Magnet	1
20	C229 3494	Master Press Arm Shaft	1
21	C229 3513	Upper Case Grip	1
22	C229 3509	Upper Case Bracket	1
23	C229 3508	Release Spring	1
24	C229 3505	Upper Case Release Lever	1
25	C229 3491	Upper Case	1
26	C229 3528	Decal - Master Eject Box	1
27	C229 3401	Master Eject Box Ass'y	1

Index No.	Part No.	Description	Q'ty Per Assembly
101	0451 4008B	Philips Tapping Screw - M4x8	
102	0720 0040E	Retaining Ring - M4	
103	0450 3008B	Tapping Screw - M3x8	
104	0451 3006B	Tapping Screw - M3x6	

### 37. Electrical Section 1 (C235)

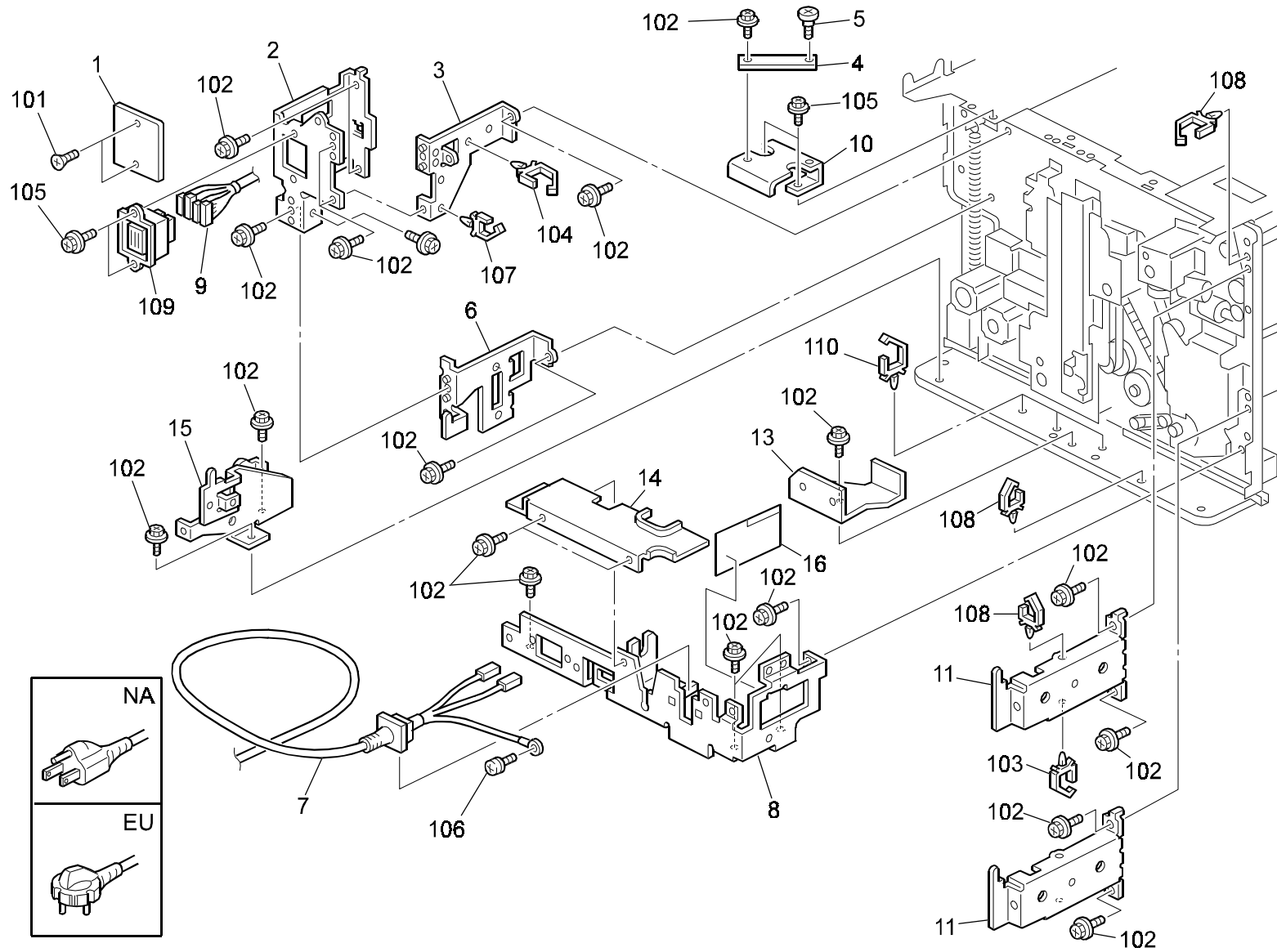


### 37. Electrical Section 1 (C235)

Index No.	Part No.	Description	Q'ty Per Assembly
1	AW03 0030	Fiber Cable - 400	1
2	C232 5618	Upper Bracket	1
3	C236 5170	IPU Board	1
4	C232 5616	PCB Bracket	1
5	C229 5656	Upper Ground Plate - PCB	1
6	C235 5101	MPU Board	1
7	C236 5115	I/O Control Board Ass'y	1
8	C229 5657	Lower Grounding Plate - PCB	1
9	C236 5124	IC - I/O Control (19050045)	1
10	C236 5200	DC Drive Harness	1
11	C236 5671	HDD Stay	1
12	C236 5300	DC Power Supply Ass'y - 225W	1
13	C236 5216	Main Switch Harness	1
14	C233 5150	Main Motor Control Board Ass'y	1
15	C229 5622	Motor Control Board Bracket	1
16	C236 5673	HDD Ground Plate	1
17	C236 5679	HDD Base	1
18	C235 5114	IC Card MPU - With Firmware	1
19	C236 5210	Plotter Relay Harness	1

Index No.	Part No.	Description	Q'ty Per Assembly
101	0451 3006B	Tapping Screw - M3x6	
102	0313 0060B	Philips Pan Head Screw - M3x6	
103	1105 0413	Harness Clamp	
104	1105 0310	Harness Clamp - LWS-1S	
105	1107 0868	FUSE - 5A 125V	
106	1607 0622	Ferrite Core - TFC16816	
107	1105 0292	Wire Saddle	
108	1107 0874	Fuse - 10A 125V	
109	0451 4006B	Tapping Screw - 4x6	
110	1607 0638	Ferrite Core - TFC25-15-12	
111	1107 0880	Fuse - 6.3A 250V	
112	1102 6418	Connector - PA1002	

### 38. Electrical Section 2 (C235)



### 38. Electrical Section 2 (C235)

Index No.	Part No.	Description	Q'ty Per Assembly
1	C217 2455	Key Counter Cover	1
2	C229 5624	Key Counter Bracket	1
3	C229 5626	Upper Bracket - MPU Board	1
4	C218 3039	Flat Cable Clamp	1
5	A109 4775	Stepped Screw - M5	1
6	C229 5625	Interface Bracket	1
7	C235 5835	Power Supply Cord (EU)	1
7	A193 5711	Power Supply Cord (NA)	1
8	C229 5611	Power Supply Cord Bracket	1
9	C236 5274	ADF Relay Harness	1
10	C229 5636	Flat Cable Bracket	1
11	C229 5615	Power Supply Unit Bracket	2
12	C232 5610	Outlet Sheet	1
13	C232 5617	Lower Bracket	1
14	C229 5613	Power Supply Cord Cover	1
15	C229 5619	Lower Bracket - MPU Board	1
16	C232 5610	Outlet Sheet	1

Index No.	Part No.	Description	Q'ty Per Assembly
101	0323 0100Z	Philips Sunken Head Screw - M3x10	
102	0451 4006B	Tapping Screw - 4x6	
103	1105 0291	Harness Clamp - LWS-3S	
104	1105 0413	Harness Clamp	
105	0451 3006B	Tapping Screw - M3x6	
106	0801 0150	Philips Screw - M4x8	
107	1105 0292	Wire Saddle	
108	1105 0310	Harness Clamp - LWS-1S	
109	1102 7445	Connector - 46P	
110	1105 0316	Clamp	



### 39. MPU Board (C235)

#### CAPACITOR

SYMBOL NO.	INDEX NO.	SYMBOL NO.	INDEX NO.	SYMBOL NO.	INDEX NO.	SYMBOL NO.	INDEX NO.	SYMBOL NO.	INDEX NO.	SYMBOL NO.	INDEX NO.	SYMBOL NO.	INDEX NO.
C100	179	C110	179	C120	179	C130	179	C140	172	C150	174	C160	188
C101	180	C111	180	C121	179	C131	180	C141	188	C151	188	C161	188
C102	180	C112	179	C122	180	C132	178	C142	172	C152	188	C162	179
C103	179	C113	180	C123	179	C133	188	C143	181	C153	150	C163	180
C104	180	C114	180	C124	179	C134	178	C144	179	C154	150	C164	188
C105	179	C115	179	C125	180	C135	179	C145	180	C155	179	C165	180
C106	180	C116	180	C126	179	C136	180	C146	179	C156	180	C166	179
C107	179	C117	180	C127	179	C137	180	C147	180	C157	180	C167	181
C108	179	C118	179	C128	180	C138	179	C148	---	C158	179	C168	173
C109	180	C119	179	C129	179	C139	179	C149	---	C159	173	C169	188

#### CAPACITOR

SYMBOL NO.	INDEX NO.	SYMBOL NO.	INDEX NO.	SYMBOL NO.	INDEX NO.	SYMBOL NO.	INDEX NO.	SYMBOL NO.	INDEX NO.	SYMBOL NO.	INDEX NO.	SYMBOL NO.	INDEX NO.
C170	---	C180	180	C190	180	C200	179	C210	179	C220	180	C230	179
C171	180	C181	179	C191	188	C201	179	C211	180	C221	179	C231	180
C172	180	C182	178	C192	179	C202	180	C212	180	C222	180	C232	180
C173	---	C183	179	C193	179	C203	179	C213	179	C223	179	C233	179
C174	179	C184	180	C194	188	C204	180	C214	180	C224	180	C234	179
C175	180	C185	180	C195	180	C205	180	C215	179	C225	179	C235	180
C176	179	C186	179	C196	180	C206	179	C216	179	C226	180	C236	180
C177	180	C187	180	C197	179	C207	176	C217	180	C227	179	C237	179
C178	179	C188	179	C198	179	C208	176	C218	180	C228	179	C238	179
C179	180	C189	180	C199	180	C209	180	C219	179	C229	180	C239	180

## 39. MPU Board (C235)

### CAPACITOR

SYMBOL NO.	INDEX NO.	SYMBOL NO.	INDEX NO.	SYMBOL NO.	INDEX NO.	SYMBOL NO.	INDEX NO.	SYMBOL NO.	INDEX NO.	SYMBOL NO.	INDEX NO.	SYMBOL NO.	INDEX NO.
C240	180	C250	179	C260	180	C270	179	C280	179	C290	180	C300	188
C241	180	C251	180	C261	180	C271	180	C281	179	C291	181	C301	180
C242	179	C252	179	C262	180	C272	179	C282	180	C292	179	C302	180
C243	179	C253	180	C263	180	C273	180	C283	176	C293	181	C303	179
C244	180	C254	---	C264	179	C274	179	C284	176	C294	180	C304	179
C245	180	C255	---	C265	180	C275	179	C285	176	C295	179	C305	179
C246	179	C256	179	C266	180	C276	180	C286	181	C296	180	C306	180
C247	179	C257	180	C267	179	C277	188	C287	181	C297	188	C307	179
C248	179	C258	179	C268	188	C278	178	C288	176	C298	181	C308	180
C249	180	C259	180	C269	180	C279	180	C289	176	C299	149	C309	180

### CAPACITOR

SYMBOL NO.	INDEX NO.	SYMBOL NO.	INDEX NO.	SYMBOL NO.	INDEX NO.	SYMBOL NO.	INDEX NO.	SYMBOL NO.	INDEX NO.	SYMBOL NO.	INDEX NO.	SYMBOL NO.	INDEX NO.
C310	179	C320	176	C330	178	C340	179	C350	179	C360	178	C370	180
C311	179	C321	180	C331	180	C341	180	C351	179	C361	179	C371	179
C312	180	C322	188	C332	179	C342	188	C352	180	C362	180	C372	179
C313	188	C323	188	C333	179	C343	180	C353	180	C363	179	C373	180
C314	180	C324	180	C334	180	C344	179	C354	179	C364	178	C374	---
C315	179	C325	179	C335	180	C345	180	C355	180	C365	180	C375	188
C316	180	C326	179	C336	188	C346	179	C356	181	C366	180	C376	---
C317	180	C327	180	C337	179	C347	179	C357	188	C367	178	C377	179
C318	176	C328	178	C338	180	C348	180	C358	188	C368	179	C378	179
C319	176	C329	179	C339	180	C349	179	C359	178	C369	180	C379	180

### 39. MPU Board (C235)

#### CAPACITOR

SYMBOL NO.	INDEX NO.
C380	180
C381	180
C382	179
C383	179
C384	180
C385	180
C386	180
C387	179
C388	179
C389	178

SYMBOL NO.	INDEX NO.
C390	188
C391	179
C392	179
C393	179
C394	180
C395	180
C396	181
C397	188
C398	188
C399	177

SYMBOL NO.	INDEX NO.
C400	179
C401	180
C402	177
C403	179
C404	180
C405	176
C406	179
C407	180
C408	178
C409	180

SYMBOL NO.	INDEX NO.
C410	179
C411	176
C412	176

#### CONNECTOR

SYMBOL NO.	INDEX NO.
CN100	6
CN101	103
CN102	111
CN103	113
CN104	109
CN105	104
CN106	106
CN107	108
CN108	107
CN109	112

SYMBOL NO.	INDEX NO.
CN110	102
CN111	105
CN112	116
CN113	115
CN114	110
CN115	114

#### DIODE

SYMBOL NO.	INDEX NO.
D100	119

#### FIB

SYMBOL NO.	INDEX NO.
FIB100	153
FIB101	153
FIB102	152
FIB103	154
FIB104	154
FIB105	154
FIB106	155
FIB107	151
FIB108	151
FIB109	151

#### IC

SYMBOL NO.	INDEX NO.
IC100	136
IC101	1
IC102	129
IC103	129
IC104	129
IC105	122
IC106	136
IC107	124
IC108	132
IC109	126

SYMBOL NO.	INDEX NO.
IC110	126
IC111	133
IC112	133
IC113	183
IC114	183
IC115	4
IC116	184
IC117	185
IC118	3
IC119	187

SYMBOL NO.	INDEX NO.
IC120	135
IC121	128
(Socket)	117
IC122	5
IC123	185
IC124	138
IC125	5
IC126	132
IC127	127
IC128	8
IC129	2

SYMBOL NO.	INDEX NO.
IC130	9
IC131	182
IC132	132
IC133	123
IC134	126
IC135	125
IC136	130
IC137	134
IC138	124
IC139	134

SYMBOL NO.	INDEX NO.
IC140	130
IC141	132
IC142	137
IC143	132
IC144	124
IC145	132
IC146	132
IC147	132
IC148	131
IC149	122

SYMBOL NO.	INDEX NO.
IC150	122
IC151	123

### 39. MPU Board (C235)

#### LED

SYMBOL NO.	INDEX NO.
LED100	121
LED101	120

#### OSC

SYMBOL NO.	INDEX NO.
OSC100	140
OSC101	141
OSC102	139

#### Q

SYMBOL NO.	INDEX NO.
Q100	118
Q101	118
Q102	118
Q103	118

#### RESISTOR

SYMBOL NO.	INDEX NO.
R100	168
R101	168
R102	160
R103	164
R104	159
R105	160
R106	164
R107	164
R108	164
R109	164

SYMBOL NO.	INDEX NO.
R110	164
R111	167
R112	160
R113	160
R114	159
R115	159
R116	160
R117	164
R118	160
R119	164

SYMBOL NO.	INDEX NO.
R120	160
R121	158
R122	164
R123	164
R124	164
R125	160
R126	160
R127	164
R128	164
R129	160

SYMBOL NO.	INDEX NO.
R130	164
R131	159
R132	167
R133	160
R134	160
R135	160
R136	164
R137	160
R138	171
R139	--

#### RESISTOR

SYMBOL NO.	INDEX NO.
R140	170
R141	167
R142	160
R143	160
R144	160
R145	160
R146	166
R147	160
R148	160
R149	160

SYMBOL NO.	INDEX NO.
R150	160
R151	160
R152	162
R153	161
R154	164
R155	159
R156	159
R157	166
R158	160
R159	164

SYMBOL NO.	INDEX NO.
R160	166
R161	160
R162	164
R163	161
R164	158
R165	164
R166	164
R167	160
R168	164
R169	160

SYMBOL NO.	INDEX NO.
R170	160
R171	160
R172	157
R173	160
R174	160
R175	157
R176	160
R177	160
R178	160
R179	160

SYMBOL NO.	INDEX NO.
R180	160
R181	160
R182	159
R183	160
R184	160
R185	160
R186	160
R187	160
R188	160
R189	167

SYMBOL NO.	INDEX NO.
R190	166
R191	160
R192	160
R193	159
R194	159
R195	159
R196	159
R197	160
R198	160
R199	160

SYMBOL NO.	INDEX NO.
R200	160
R201	164
R202	164
R203	164
R204	164
R205	164
R206	164
R207	164
R208	160
R209	159

### 39. MPU Board (C235)

#### RESISTOR

SYMBOL NO.	INDEX NO.	SYMBOL NO.	INDEX NO.	SYMBOL NO.	INDEX NO.	SYMBOL NO.	INDEX NO.	SYMBOL NO.	INDEX NO.	SYMBOL NO.	INDEX NO.	SYMBOL NO.	INDEX NO.
R210	160	R220	159	R230	160	R240	---	R250	164	R260	160	R270	164
R211	160	R221	159	R231	160	R241	---	R251	164	R261	169	R271	164
R212	159	R222	159	R232	160	R242	164	R252	160	R262	---	R272	164
R213	160	R223	164	R233	160	R243	159	R253	160	R263	163	R273	160
R214	160	R224	164	R234	160	R244	160	R254	160	R264	160	R274	164
R215	160	R225	159	R235	160	R245	166	R255	160	R265	167	R275	160
R216	159	R226	160	R236	169	R246	164	R256	160	R266	164	R276	160
R217	159	R227	164	R237	---	R247	164	R257	160	R267	164	R277	160
R218	160	R228	164	R238	160	R248	160	R258	160	R268	164	R278	160
R219	159	R229	159	R239	159	R249	160	R259	160	R269	164	R279	169

#### RESISTOR

SYMBOL NO.	INDEX NO.	SYMBOL NO.	INDEX NO.	SYMBOL NO.	INDEX NO.
R280	160	R290	164	R300	160
R281	164	R291	160	R301	166
R282	164	R292	164	R302	160
R283	160	R293	164	R303	164
R284	164	R294	164	R304	166
R285	164	R295	164	R305	160
R286	164	R296	164	R306	164
R287	---	R297	160	R307	167
R288	164	R298	160	R308	159
R289	---	R299	160	R309	164

#### RAY

SYMBOL NO.	INDEX NO.	SYMBOL NO.	INDEX NO.	SYMBOL NO.	INDEX NO.	SYMBOL NO.	INDEX NO.
R310	167	RAY100	145	RAY110	145	RAY120	145
R311	159	RAY101	145	RAY111	145	RAY121	145
R312	164	RAY102	145	RAY112	145	RAY122	145
R313	164	RAY103	142	RAY113	145	RAY123	145
R314	167	RAY104	142	RAY114	145	RAY124	145
R315	159	RAY105	142	RAY115	145	RAY125	145
R316	159	RAY106	142	RAY116	145	RAY126	145
R317	160	RAY107	145	RAY117	145	RAY127	143
R318	160	RAY108	145	RAY118	145	RAY128	142
		RAY109	145	RAY119	145	RAY129	142

### 39. MPU Board (C235)

#### RAY

SYMBOL NO.	INDEX NO.	SYMBOL NO.	INDEX NO.	SYMBOL NO.	INDEX NO.	SYMBOL NO.	INDEX NO.	SYMBOL NO.	INDEX NO.	SYMBOL NO.	INDEX NO.		
RAY130	142	RAY140	145	RAY150	145	RAY160	142	RAY170	142	RAY180	145	RAY190	145
RAY131	142	RAY141	145	RAY151	145	RAY161	142	RAY171	142	RAY181	142	RAY191	145
RAY132	142	RAY142	145	RAY152	142	RAY162	142	RAY172	145	RAY182	142	RAY192	145
RAY133	145	RAY143	142	RAY153	145	RAY163	144	RAY173	145	RAY183	142	RAY193	145
RAY134	142	RAY144	156	RAY154	142	RAY164	142	RAY174	145	RAY184	142	RAY194	142
RAY135	145	RAY145	156	RAY155	145	RAY165	144	RAY175	145	RAY185	145	RAY195	145
RAY136	142	RAY146	142	RAY156	145	RAY166	142	RAY176	145	RAY186	145	RAY196	145
RAY137	145	RAY147	144	RAY157	145	RAY167	144	RAY177	144	RAY187	145	RAY197	145
RAY138	142	RAY148	145	RAY158	145	RAY168	142	RAY178	144	RAY188	145	RAY198	142
RAY139	145	RAY149	145	RAY159	145	RAY169	145	RAY179	144	RAY189	145	RAY199	142

#### RAY

SYMBOL NO.	INDEX NO.	SYMBOL NO.	INDEX NO.	SYMBOL NO.	INDEX NO.
RAY200	142	RAY210	142	RAY220	142
RAY201	142	RAY211	142	RAY221	142
RAY202	142	RAY212	142	RAY222	142
RAY203	142	RAY213	142	RAY223	142
RAY204	142	RAY214	142	RAY224	142
RAY205	142	RAY215	145	RAY225	142
RAY206	142	RAY216	142	RAY226	144
RAY207	142	RAY217	142	RAY227	142
RAY208	142	RAY218	142	RAY228	142
RAY209	142	RAY219	142	RAY229	142

#### SWITCH

SYMBOL NO.	INDEX NO.
RAY230	143
RAY231	146
RAY232	143
RAY233	146

SYMBOL NO.	INDEX NO.
SW100	186

#### TP

SYMBOL NO.	INDEX NO.
TP102	101
TP106	101
TP108	101
TP118	101
TP119	101

### 39. MPU Board (C235)

Index No.	Part No.	Description	Q'ty Per Assembly
*	C235 5101	MPU Board	1
1	A250 5501	IC - G8 HG71C106FL	1
2	A250 5503	IC - V-IPU	1
3	A267 5508	IC - IMAC_R RF5C490	1
4	C228 8030	IC - Thermal Head Drive	1
5	C229 5351	IC - UPD65640GF	1
6	C232 5351	Connector - 68POLE	1
7	C236 5111	IC - Printed Circuit Board	1
8	C236 5353	IC - GATC LC27047C-RJ0	1
9	C236 5354	IC - GASVI LC27048C-RJ1	1

Index No.	Part No.	Description	Q'ty Per Assembly
101	1100 1474	Test Pin	
102	1102 2300	Connector - 26P	
103	1102 4203	CT Header - 4P	
104	1102 5413	Connector - 28P	
105	1102 6662	Connector - 4P	
106	1102 7690	Connector - WR-120P-VF60-1	
107	1102 8063	Connector - 54373-0600	
108	1102 8086	Connector - FX2-120S-1.27SVL	
109	1102 8410	Connector - B28B-CZWHK-B-1	
110	1102 8411	Connector - B32B-CZWHK-B-1	
111	1102 8592	Connector - B09B-CZHK-B-1	
112	1102 8593	Connector - B11B-CZHK-B-1	
113	1102 8594	Connector - B15B-CZHK-B-1	
114	1102 8596	Connector - B30B-CZWHK-B-1	
115	1102 8597	Connector - B32B-CZWK-B-1	
116	1102 8598	Connector - B38B-CZWHK-B-1	
117	1104 0588	Dip Socket - 28p	
118	1400 0392	Transistor - DTC114EK	
119	1402 1058	Diode Array - DA114	
120	1403 0828	Diode - SEC1901C	
121	1403 0829	Diode - SEC1201C	
122	1407 1600	TTLIC - SN74LS244NS	
123	1407 2187	TTLIC - SN74LS07NS	
124	1407 4300	IC - TC74VHC32F	
125	1407 4321	IC - TC74VHC04F	
126	1407 4323	TTL - TD74ABT244F	
127	1407 4565	IC - TE6251	
128	1407 4696	IC - M48T58Y-70PC1	
129	1407 4715	IC - 74VHC138:SOP	
130	1407 4718	IC - TC74VHC08F	
131	1407 4794	IC - CMOS 74LCX244SJ	
132	1407 4913	IC - 74VHC244	
133	1407 5061	IC - Flash Memory - 16MX8/16 70NS	
134	1407 5084	CMOS Logic - 74vhc11f Sop	
135	1407 5162	CPU - HD6412350F20	

Index No.	Part No.	Description	Q'ty Per Assembly
136	1407 5331	IC - TC7MB3245FK	
137	1408 0575	IC - M51957BFP	
138	1408 1308	Regulator - PQ3RF33	
139	1503 0820	Oscilator - 29.4912mhz	
140	1503 0863	Oscilator - 14.7456mhz	
141	1503 0871	Oscilator-44mhz	
142	1601 7752	Resistor Array - 10K $\Omega$ $\pm$ 5%	
143	1601 7791	Resistor Array - 1K $\Omega$ $\pm$ 5%	
144	1601 7814	Resistor 3.3k $\Omega$ $\pm$ 5%	
145	1601 7867	Resistor - 33 $\Omega$ $\pm$ 5% 1/16W	
146	1601 7893	Resistor Array - 470 $\Omega$ $\pm$ 5% 1/16W	
147	1604 2601	Capacitor - 47 $\mu$ F $\pm$ 20% 25V	
148	1604 4333	Capacitor - 100 $\mu$ F $\pm$ 20% 10V	
149	1605 0577	Capacitor - 0.33 $\mu$ F+80-20%	
150	1605 0781	Capacitor -5pF 50v	
151	1607 0477	Coil - BLM21A121SPB	
152	1607 0815	BLM41P600SPB	
153	1607 0906	Emi Filter ACF321825-101	
154	1607 0927	Filter - ACF321825-220	
155	1607 1018	Filter - ACB1608H-120	
156	1607 1289	Filter BLA3216A300SG4	
157	1630 1100	Resistor - 10 $\Omega$ $\pm$ 5% 1/4W	
158	1630 4101	Resistor - 100 $\Omega$ $\pm$ 5% 1/16W	
159	1630 4102	Resistor - 1.0K $\Omega$ $\pm$ 5% 1/16W	
160	1630 4103	Resistor - 10K $\Omega$ $\pm$ 5% 1/16W	
161	1630 4105	Resistor - 1.0M $\Omega$ $\pm$ 5% 1/16W	
162	1630 4271	Resistor - 270 $\Omega$ $\pm$ 5% 1/16W	
163	1630 4303	Resistor - 30K $\Omega$ $\pm$ 5% 1/16W	
164	1630 4330	Resistor - 33 $\Omega$ $\pm$ 5% 1/8W	
165	1630 4331	Resistor - 330 $\Omega$ $\pm$ 5% 1/16W	
166	1630 4332	Resistor - 3.3K $\Omega$ $\pm$ 5% 1/16W	
167	1630 4471	Resistor - 470 $\Omega$ $\pm$ 5% 1/16W	
168	1630 4821	Resistor - 820 $\Omega$ $\pm$ 5% 1/16W	
169	1633 0000	Resistor - 0 $\Omega$ 1/10W	
170	1633 1002	Resistor - 10K $\Omega$ $\pm$ 1% 1/10W	

Index No.	Part No.	Description	Q'ty Per Assembly
171	1633 3741	Resistor - 3.7K $\Omega$ $\pm$ 5% 1/10W	
172	1644 0470	Capacitor - 47 $\mu$ F $\pm$ 20% 10V	
173	1644 2100	Capacitor - 10 $\mu$ F $\pm$ 20% 25V	
174	1644 5109	Capacitor - 1 $\mu$ F $\pm$ 20% 25V	
175	1660 1100	Capacitor - 10pF 50V	
176	1660 2101	Capacitor - 100pF - $\pm$ 10% - 50V	
177	1660 2220	Capacitor - 22pF $\pm$ 20% 35V	
178	1660 2470	Capacitor - 47pF $\pm$ 5% 50V	
179	1660 2471	Capacitor - 470pF - $\pm$ 5% - 50V	
180	1660 4103	Capacitor - 10000pF - $\pm$ 10% - 50V	
181	1660 8104	Capacitor - 0.1 $\mu$ F+80-20% 25V	
182	1902 0040	SRAM 256kx8 70ns G9	
183	1902 0042	RAM - 1M X8 70ns TSOP G2	
184	1904 0013	SRAM - 256K X8 20ns G2	
185	1907 0007	SDRAM - 64K 1MX 16x4 100mhz G3	



## 40. I/O Control Board (C235)

### CAPACITOR

SYMBOL NO.	INDEX NO.	SYMBOL NO.	INDEX NO.	SYMBOL NO.	INDEX NO.	SYMBOL NO.	INDEX NO.	SYMBOL NO.	INDEX NO.	SYMBOL NO.	INDEX NO.	SYMBOL NO.	INDEX NO.
C300	197	C310	198	C320	202	C330	203	C340	202	C350	161	C360	203
C301	157	C311	158	C321	203	C331	158	C341	203	C351	203	C361	204
C302	157	C312	199	C322	202	C332	199	C342	202	C352	202	C362	203
C303	157	C313	203	C323	203	C333	199	C343	203	C353	161	C363	203
C304	202	C314	203	C324	158	C334	204	C344	202	C354	161	C364	203
C305	203	C315	203	C325	201	C335	203	C345	203	C355	160	C365	202
C306	198	C316	198	C326	202	C336	202	C346	202	C356	160	C366	203
C307	203	C317	157	C327	203	C337	203	C347	161	C357	160	C367	203
C308	158	C318	199	C328	199	C338	202	C348	160	C358	160	C368	204
C309	198	C319	203	C329	201	C339	203	C349	161	C359	203	C369	204

### CAPACITOR

SYMBOL NO.	INDEX NO.	SYMBOL NO.	INDEX NO.	SYMBOL NO.	INDEX NO.	SYMBOL NO.	INDEX NO.	SYMBOL NO.	INDEX NO.	SYMBOL NO.	INDEX NO.	SYMBOL NO.	INDEX NO.
C370	203	C380	202	C390	203	C400	202	C410	200	C420	203	CN200	114
C371	203	C381	203	C391	159	C401	204	C411	203	C421	203	CN201	111
C372	202	C382	202	C392	203	C402	203	C412	202	C422	202	CN202	112
C373	204	C383	203	C393	202	C403	202	C413	202	C423	203	CN203	102
C374	204	C384	204	C394	202	C404	203	C414	203	C424	203	CN204	103
C375	204	C385	204	C395	204	C405	200	C415	202	C425	203	CN205	115
C376	204	C386	204	C396	204	C406	202	C416	203			CN206	105
C377	203	C387	204	C397	203	C407	202	C417	203			CN207	110
C378	203	C388	202	C398	204	C408	204	C418	202			CN208	108
C379	203	C389	203	C399	203	C409	203	C419	203			CN209	106

### CONNECTOR

## 40. I/O Control Board (C235)

### CONNECTOR

SYMBOL NO.	INDEX NO.
CN210	106
CN211	119
CN212	113
CN213	117
---	---
CN215	104
CN216	109
---	---
---	---
CN219	116

SYMBOL NO.	INDEX NO.
CN221	107
CN222	107
CN224	116
CN225	118

### DIODE

SYMBOL NO.	INDEX NO.
D300	126
D301	126
D302	126
D303	126
D304	125
D305	128
D306	128
D307	128
D308	125
D309	125

SYMBOL NO.	INDEX NO.
D310	125
D311	125

### FIB

SYMBOL NO.	INDEX NO.
FIB300	155
FIB301	155
FIB302	155
FIB303	156
FIB304	156
FIB305	156
FIB306	156
FIB307	155

### IC

SYMBOL NO.	INDEX NO.
IC300	146
IC301	147
IC302	124
IC303	144
IC304	147
IC305	145
IC306	134
IC307	134
IC308	134
IC309	148

SYMBOL NO.	INDEX NO.
IC310	130
IC311	133
IC312	133
IC313	145
IC314	145
IC315	145
IC316	145
IC317	138
IC318	140
IC319	133

### IC

SYMBOL NO.	INDEX NO.
IC320	145
IC321	145
IC322	145
IC323	142
IC324	139
IC325	145
IC326	132
IC327	131
IC328	133
IC329	135

SYMBOL NO.	INDEX NO.
IC330	141
IC331	139
IC332	143
IC333	137
IC334	1
(Socket)	120
IC335	133
IC336	130
IC337	139
IC338	136
IC339	133

### LED

SYMBOL NO.	INDEX NO.
LED300	129
LED301	129
LED302	129
LED303	129
LED304	129

### OSC

SYMBOL NO.	INDEX NO.
OSC300	149

### RESISTOR

SYMBOL NO.	INDEX NO.
R300	194
R301	194
R302	---
R303	---
R304	195
R305	195
R306	164
R307	164
R308	164
R309	164

SYMBOL NO.	INDEX NO.
R310	164
R311	164
R312	164
R313	164
R314	185
R315	190
R316	187
R317	189
R318	193
R319	187

SYMBOL NO.	INDEX NO.
R320	189
R321	184
R322	177
R323	177
R324	177
R325	163
R326	179
R327	176
R328	177
R329	177

## 40. I/O Control Board (C235)

### RESISTOR

SYMBOL NO.	INDEX NO.	SYMBOL NO.	INDEX NO.	SYMBOL NO.	INDEX NO.	SYMBOL NO.	INDEX NO.	SYMBOL NO.	INDEX NO.	SYMBOL NO.	INDEX NO.	SYMBOL NO.	INDEX NO.
R330	169	R340	169	R350	186	R360	177	R370	183	R380	184	R390	177
R331	166	R341	162	R351	168	R361	181	R371	177	R381	177	R391	184
R332	166	R342	162	R352	184	R362	177	R372	183	R382	184	R392	177
R333	169	R343	166	R353	190	R363	181	R373	177	R383	178	R393	177
R334	169	R344	162	R354	184	R364	168	R374	183	R384	184	R394	177
R335	166	R345	162	R355	184	R365	168	R375	177	R385	182	R395	184
R336	162	R346	177	R356	--	R366	177	R376	192	R386	177	R396	177
R337	162	R347	177	R357	196	R367	177	R377	188	R387	163	R397	177
R338	166	R348	190	R358	169	R368	183	R378	180	R388	177	R398	177
R339	173	R349	186	R359	176	R369	183	R379	177	R389	177	R399	177

### RESISTOR

SYMBOL NO.	INDEX NO.	SYMBOL NO.	INDEX NO.	SYMBOL NO.	INDEX NO.	SYMBOL NO.	INDEX NO.	SYMBOL NO.	INDEX NO.	RAY NO.	INDEX NO.	TP NO.	INDEX NO.
R400	174	R410	169	R420	174	R430	174	R440	177	RAY300	151	TP300	101
R401	169	R411	175	R421	177	R431	171	R441	177	RAY301	151	TP301	101
R402	171	R412	167	R422	175	R432	177	R442	177	RAY302	151	TP302	101
R403	175	R413	177	R423	174	R433	177			RAY303	151	TP303	101
R404	193	R414	165	R424	171	R434	177			RAY304	151	TP304	101
R405	191	R415	177	R425	177	R435	177			RAY305	150	TP305	101
R406	175	R416	172	R426	174	R436	177			RAY306	151	TP306	101
R407	167	R417	169	R427	171	R437	177			RAY307	150	----	---
R408	170	R418	169	R428	177	R438	177					----	---
R409	169	R419	177	R429	171	R439	177					----	---

## 40. I/O Control Board (C235)

TP

SYMBOL NO.	INDEX NO.
----	---
TP311	101
TP312	101
TP313	101
TP314	101
TP315	101
TP316	101
TP317	101
TP318	101
TP319	101

SYMBOL NO.	INDEX NO.
----	---
----	---
TP322	101
TP331	101
TP332	101
TP333	101
TP334	101
TP335	101
TP336	101
TP337	101

VR

SYMBOL NO.	INDEX NO.
VR303	154
VR304	154
VR305	153
VR306	154
VR307	154
VR308	152

ZD

SYMBOL NO.	INDEX NO.
ZD300	127

#### 40. I/O Control Board (C235)

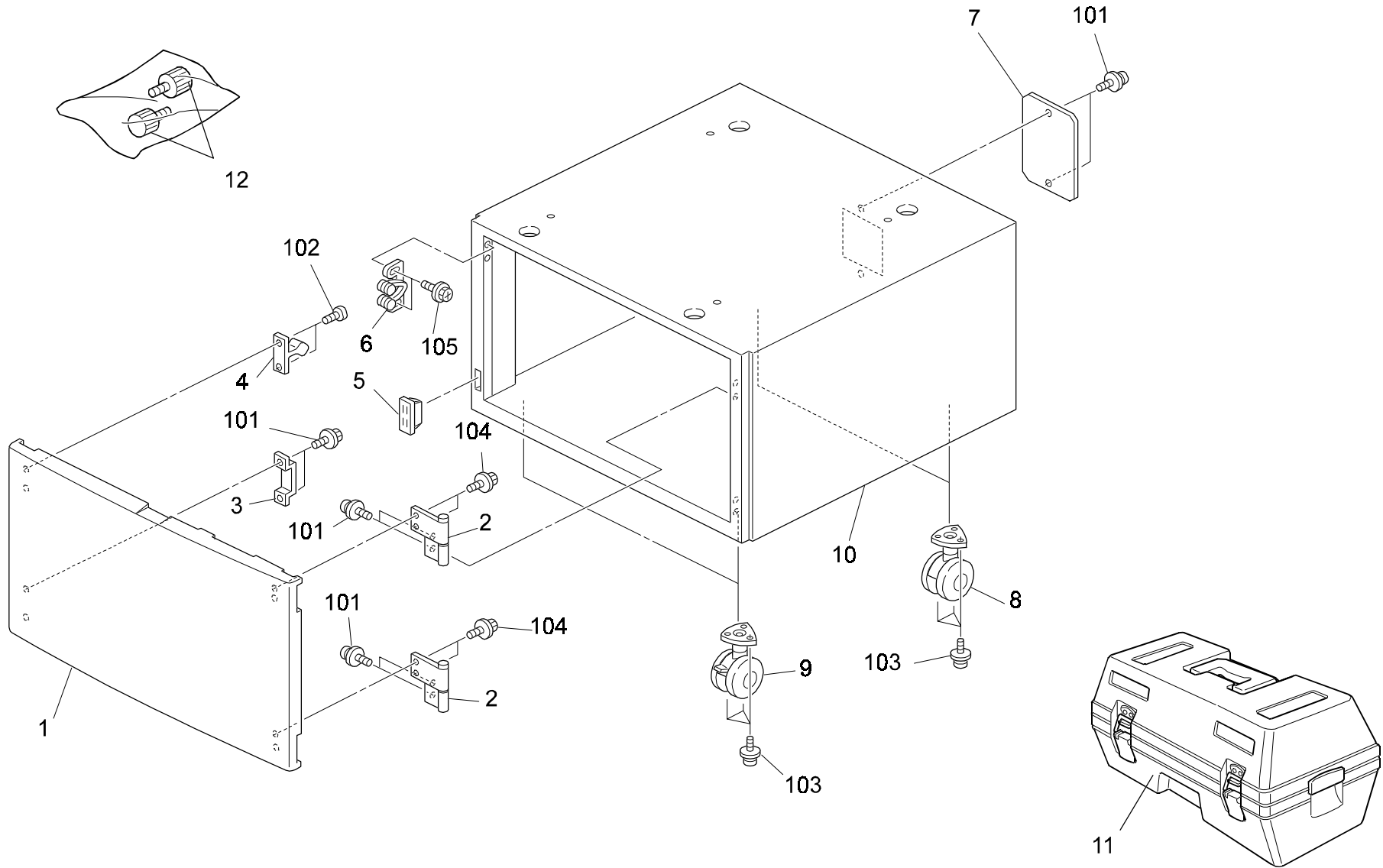
Index No.	Part No.	Description	Q'ty Per Assembly
*	C236 5115	I/O Control Board Ass'Y	1
1	C236 5124	IC - I/O Control	1

Index No.	Part No.	Description	Q'ty Per Assembly
101	1100 1474	Test Pin	
102	1102 3822	Connector - 20P	
103	1102 4203	CT Header - 4P	
104	1102 4205	CT Header- 6p	
105	1102 4211	CT Header - 12P	
106	1102 4684	Connector - 5566-06R-210	
107	1102 5003	Fiber Connector - DC1002 - 2p	
108	1102 5305	Connector - 6P	
109	1102 5414	Connector - 30P	
110	1102 6396	Connector - 1P	
111	1102 6594	Connector - 10P	
112	1102 6595	Connector - 11P	
113	1102 7851	Connector - B20B	
114	1102 8085	Connector - FX2CA2-120P-1.27DSAL	
115	1102 8397	Connector - B07B-CZHK-B-1	
116	1102 8408	Connector - B24B-CZW HK-B-1	
117	1102 8410	Connector - B28B-CZW HK-B-1	
118	1102 8593	Connector - B11B-CZHK-B-1	
119	1102 8595	Connector - B17B-CZHK-B-1	
120	1104 0588	Dip Socket - 28p	
121	1400 0455	Transistor - 2SC2873Y	
122	1400 0720	Transistor - DTC143ZSA	
123	1400 0785	Transistor - DTD113ZK	
124	1401 0400	Transistor Array - SLA4060	
125	1401 0835	Diode - 1SS190	
126	1402 0780	Diode - 200V - 1A - 11ES2	
127	1402 1206	Zener Diode	
128	1402 1342	Diode - 1SR154-400	
129	1403 0829	Diode - SEC1201C	
130	1407 1600	TTLIC - SN74LS244NS	
131	1407 1605	TTLIC - SN74LS157NS	
132	1407 1746	TTL - SN74LS240NS	
133	1407 2187	TTLIC - SN74LS07NS	
134	1407 2219	IC - TD62003AP	
135	1407 2231	IC - TD62308AF	

Index No.	Part No.	Description	Q'ty Per Assembly
136	1407 2247	TTL - SN74LS164NS	
137	1407 2261	IC - NJM2902M	
138	1407 3285	IC - TC74HC08AF	
139	1407 3306	IC - TC74HC244AF	
140	1407 4315	IC - TE7751	
141	1407 5162	CPU - HD6412350F20	
142	1408 0575	IC - M51957BFP	
143	1408 0595	IC - NJM2904M	
144	1408 0827	IC - TA8429H	
145	1408 1204	IC - TA8083P	
146	1408 1408	IC - STK672-060	
147	1408 1410	IC - STK672-120	
148	1408 1503	IC - STK672-080	
149	1503 0252	Crystal Resonator - 14.7456mhz	
150	1601 7752	Resistor Array - 10K $\Omega$ $\pm$ 5%	
151	1601 7867	Resistor - 33 $\Omega$ $\pm$ 5% 1/16W	
152	1601 8147	Variable Resistor - 10K $\Omega$ 0.5W	
153	1601 8182	Resistor - 500KORM 0.5W	
154	1601 8186	Variable Resistor - 200K $\Omega$	
155	1602 0987	Capacitor & Coil - 270pF 100V	
156	1602 7011	Capacitor - 270pF $\pm$ 20% 50V	
157	1604 1475	Cap.,aluminum Electrolytic,100uf	
158	1604 4333	Capacitor - 100 $\mu$ F $\pm$ 20% 10V	
159	1605 0850	Capacitor	
160	1606 1985	Capacitor - 0.033 $\mu$ F $\pm$ 5% 50V	
161	1606 1986	Capacitor - 0.1 $\mu$ F $\pm$ 5% 16V	
162	1610 1234	Resistor - 47 $\Omega$ 1W $\pm$ 5%	
163	1630 1121	Resistor - 120 $\Omega$ $\pm$ 5% 1/8W	
164	1630 2221	Resistor - 220 $\Omega$	
165	1630 3100	Resistor - 10 $\Omega$ $\pm$ 5% 1/10W	
166	1630 3151	Resistor - 150 $\Omega$ $\pm$ 5% 1/10W	
167	1630 3221	Resistor - 220 $\Omega$ $\pm$ 5% 1/10W	
168	1630 3222	Resistor - 2.2K $\Omega$ 1/10W $\pm$ 5%	
169	1630 3332	Resistor - 3.3K $\Omega$ 1/10W $\pm$ 5%	
170	1630 3471	Resistor - 470 $\Omega$ - 1/10W	

Index No.	Part No.	Description	Q'ty Per Assembly
171	1630 3472	Resistor - 4.7K $\Omega$ 1/10W $\pm$ 5%	
172	1630 3474	Resistor - 470K $\Omega$ $\pm$ 5% 1/10W	
173	1630 3682	Resistor - 6.8K $\Omega$ - 1/10W	
174	1630 3683	Resistor - 68K $\Omega$ $\pm$ 5% 1/10W	
175	1630 3824	Resistor - 820K $\Omega$ $\pm$ 5% 1/10W	
176	1630 4102	Resistor - 1.0K $\Omega$ $\pm$ 5% 1/16W	
177	1630 4103	Resistor - 10K $\Omega$ $\pm$ 5% 1/16W	
178	1630 4105	Resistor - 1.0M $\Omega$ $\pm$ 5% 1/16W	
179	1630 4153	Resistor - 15K $\Omega$ $\pm$ 5% 1/16W	
180	1630 4222	Resistor - 2.2K $\Omega$ $\pm$ 5%	
181	1630 4243	Resistor - 24K $\Omega$ $\pm$ 5% 1/16W	
182	1630 4562	Resistor - 5.6k $\Omega$ - $\pm$ 5% - 1/16W	
183	1630 4821	Resistor - 820 $\Omega$ $\pm$ 5% 1/16W	
184	1633 0000	Resistor - 0 $\Omega$ 1/10W	
185	1633 6200	Resistor - 620 $\Omega$ - 1/10W	
186	1634 1000	Resistor - 100 $\Omega$ $\pm$ 1% 1/16W	
187	1634 1001	Resistor - 1K $\Omega$ $\pm$ 5% 1/16W	
188	1634 1002	Resistor - 10 $\Omega$ $\pm$ 5% 1/16W	
189	1634 1502	Resistor - 15K $\Omega$ $\pm$ 1% 1/16W	
190	1634 1600	Resistor - 160 $\Omega$ $\pm$ 1% 1/16W	
191	1634 2000	Resistor - 200 $\Omega$ $\pm$ 1% 1/16W	
192	1634 4301	Resistor - 4.3K $\Omega$ $\pm$ 1% 1/8W	
193	1634 4700	Resistor - 470 $\Omega$ $\pm$ 1% 1/16w	
194	1634 6802	Resistor - 68K $\Omega$ $\pm$ 1% 1/16W	
195	1634 7501	Resistor-7.50k $\Omega$ $\pm$ 1% 1/16w	
196	1634 8200	Resistor - 820 $\Omega$ $\pm$ 1% 1/16W	
197	1640 5101	Capacitor - 100 $\mu$ F $\pm$ 20% 50V	
198	1644 1100	Capacitor - 10 $\mu$ F $\pm$ 20% 16V	
199	1644 5100	Capacitor - 10 $\mu$ F $\pm$ 20% 50V	
200	1660 0100	Capacitor - 10PF $\pm$ 0.5pF 50V	
201	1660 2470	Capacitor - 47pF $\pm$ 5% 50V	
202	1660 2471	Capacitor - 470pF - $\pm$ 5% - 50V	
203	1660 4103	Capacitor - 10000pF - $\pm$ 10% - 50V	
204	1660 8104	Capacitor - 0.1 $\mu$ F+80-20% 25V	

# 41. Table & Color Drum (C235)



### 41. Table & Color Drum (C235)

Index No.	Part No.	Description	Q'ty Per Assembly
1	C229 1253	Door Cover	1
2	C576 1086	Door HingeE	1
3	C576 1091	Magnet Catach Plate	1
4	A659 1272	Door Catch	1
5	C576 1092	Magnet Catch	1
6	AG07 1009	Rotary Catch	1
7	C546 2080	Rear Cap	1
8	C576 1093	Caster	1
9	C576 1094	Caster Stopper	1
10	C576 1050	Table ASS'Y	1
11	C577 1000	Option Drum Case Ass'y	1
12	C576 1100	Adjusting Screw - Table	1

Index No.	Part No.	Description	Q'ty Per Assembly
101	0451 4008B	Philips Tapping Screw - M4x8	
102	0452 3008B	Tapping Screw - M3x8	
103	0957 5012B	Screw - M5X12	
104	0450 4008B	Tapping Screw - 4x8	
105	0451 3006B	Tapping Screw - M3x6	



## 42. Decals & Documents (C235)

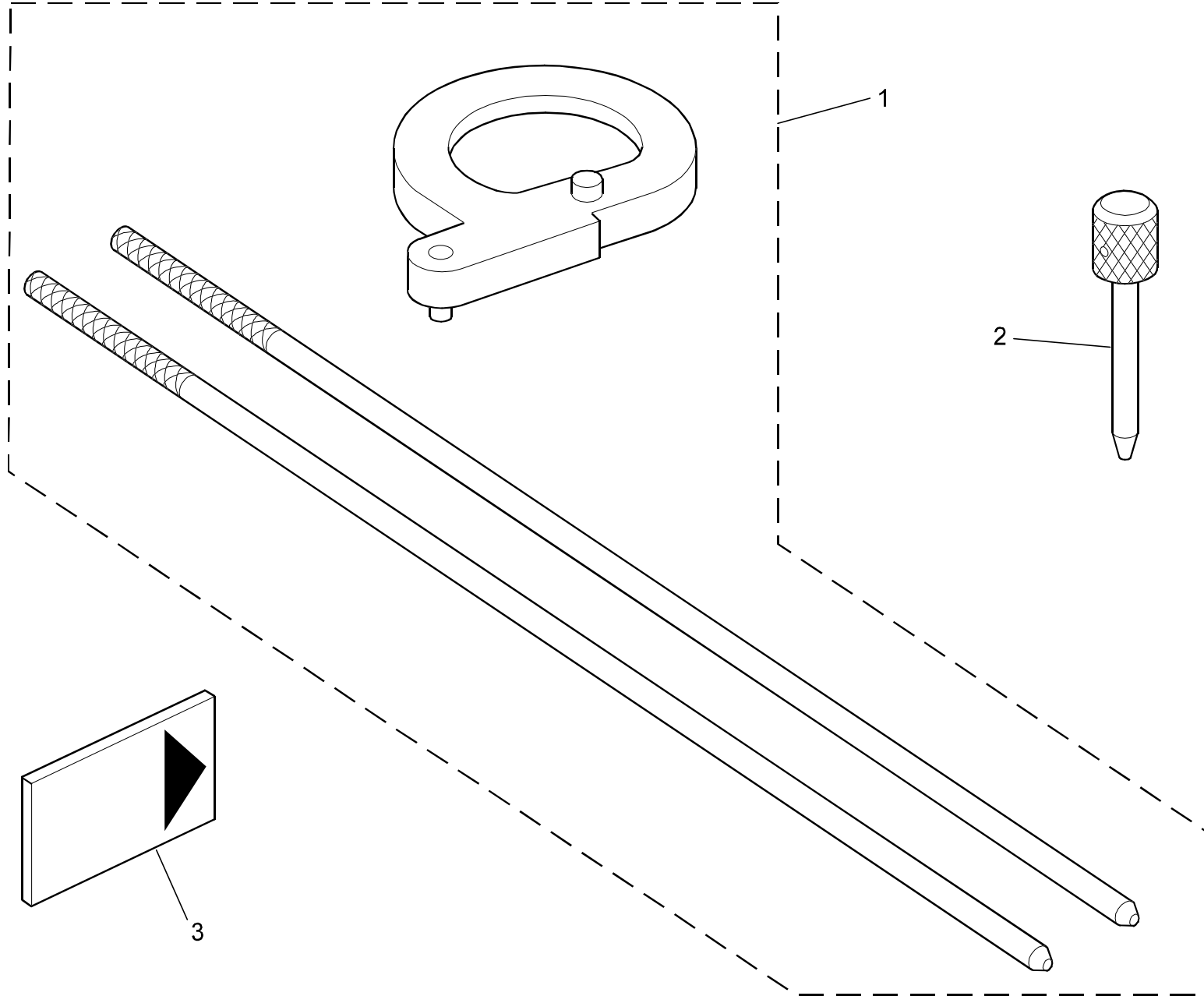
<p><b>1</b></p>	<p><b>10</b></p> <p>●左のノブを矢印方向に回し、▲を■に合わせてからドラムを入れてください。</p>	<p><b>12</b></p> <table border="1"> <tr> <td>English</td> <td>Spanish</td> </tr> <tr> <td>German</td> <td>Dutch</td> </tr> <tr> <td>French</td> <td>Chinese</td> </tr> <tr> <td>Italian</td> <td>Portuguese</td> </tr> </table>	English	Spanish	German	Dutch	French	Chinese	Italian	Portuguese	<p><b>14</b></p> <p>WARNING/ATTENTION ACHTUNG ATTENZIONE AVISO</p>
English	Spanish										
German	Dutch										
French	Chinese										
Italian	Portuguese										
<p><b>2</b></p>	<p><b>11</b></p>	<p><b>13</b></p>	<p><b>9</b></p>								
<p><b>3</b></p> <table border="1"> <tr> <td>English</td> <td>English</td> </tr> <tr> <td>English</td> <td>English</td> </tr> <tr> <td>English</td> <td>English</td> </tr> <tr> <td>English</td> <td>English</td> </tr> </table>	English	English	English	English	English	English	English	English	<p><b>4</b></p>	<p><b>5</b></p> <p>Operating Instructions</p>	<p><b>6</b></p> <p>CAUTION</p>
English	English										
English	English										
English	English										
English	English										
<p><b>8</b></p>	<p><b>7</b></p>	<p><b>8</b></p>	<p><b>7</b></p>								

## 42. Decals & Documents (C235)

Index No.	Part No.	Description	Q'ty Per Assembly
1	C229 1350	Operation Sheet	1
2	C229 2951	Decal - Paper Size	1
3	C232 1354	Instllation Sheet - Start Key	1
4	C229 3529	Decal - Delicvery Table Slid	1
5	C235 8600	Operating Instructions - English	1
5	C235 8607	Operating Instructions - English	1
5	C235 8690	Operating Instructions - English	1
5	C235 8697	Operating Instructions - English	1
6	C233 1295	Decal - Ink Supply	1
7	C229 1978	Decal - Master Remuval	1
8	C229 2399	Decal - Drum Operation	1
9	C229 2138	Decal - Master Set	1
10	C229 1356	Decal - Cylinder Operation	1
11	C229 3528	Decal - Maser Eject Box	1
12	C232 1353	Decal - Start Key	1
13	C233 1290	Decal - Caption LED	1
14	C229 1359	Caution Decal	1

Index No.	Part No.	Description	Q'ty Per Assembly

### 43. Special Tools (C235)



### 43. Special Tools (C235)

Index No.	Part No.	Description	Q'ty Per Assembly
1	C229 9000	Drive Adjustment Tool Kit	1
2	A006 9104	Scanner Positioning Pin	1
3	A230 9352	Flash Memory Card	1

Index No.	Part No.	Description	Q'ty Per Assembly
-----------	----------	-------------	-------------------

# Parts Index

## PM Parts Index

Section Name	Part No.	Description in Service Manual	Description in Parts Catalog	Q'ty Per Assembly	Page and Index No.
Paper Feed Section 3 (C235)	C229 2835	Paper Feed Roller Ass'y	Paper Feed Roller Ass'y	2	33- 27
Plotter Unit 3 (C235)	C236 2080	Platen Roller Ass'y	Platen Roller Ass'y	1	73- 8
Drum Unit 2 (C235)	C236 2316	Drum Cloth Screen Ass'y	Drum Cloth Screen Ass'y	1	55- 5
Paper Feed Section 4 (C235)	C236 2886	Separation Pad - A Ass'y	Separation Pad - A Ass'y	1	35- 31
	C236 2895	Separation Pad - B Ass'y	Separation Pad - B Ass'y	1	35- 32
Paper Exit Section 2 (C235)	C229 3874	Transport Belt	Transport Belt	3	47- 3

## Parts Index

Part No.	Description	Page and Index No.
C235 1301	Upper Door Cover (RIC)	11- 2
C235 1341	Model Name Plate - GES	11- 10
C235 1342	Model Name Plate - REX	11- 10
C235 1343	Model Name Plate - NSA	11- 10
C235 1344	Model Name Plate - SVN	11- 10
C235 1456	Operation Panel Ass'y (NA)	13- 6
C235 1457	Operation Panel Ass'y (EU)	13- 6
C235 1512	Sheet - On Line (NA)	15- 2
C235 1513	Sheet - Behind (NA)	15- 3
C235 1515	On Line Sheet (EU)	15- 2
C235 1516	Behind Sheet (EU)	15- 3
C235 2744	Paper Feed Unit Ass'y	29- 40
C235 2769	Side Fence Pad Ass'y	29- 13
C235 2771	Side Fence Pad	29- 14
C235 2773	Paper Tray	29- 22
C235 2774	Paper Feed Cover	29- 36
C235 2779	Harness Holder	29- 29
C235 2786	Right Side Fence Slider Ass'y	29- 17
C235 2791	Right Side Fence	29- 21
C235 2796	Left Side Fence Slider Ass'y	29- 7
C235 2802	Left Side Fence Ass'y	29- 16
C235 2804	Side Fence Grip	29- 5
C235 2812	Spacer - Magnet Catch	29- 9
C235 2813	Decal - Side Fence - Right	29- 39
C235 2814	Decal - Side Fence - Left	29- 6
C235 2815	Lock Lever - Right Side Fence	29- 18
C235 2816	Right Lock Lever Spring Plate Ass'y	29- 19
C235 2819	Lock Lever - Left Side Fence	29- 4
C235 2820	Left Lock Lever Spring Plate Ass'y	29- 11
C235 2832	Drum Stay - Paper Feed Ass'y	35- 19
C235 2898	Cover - Separation Sub-unit	35- 42
C235 2918	Guide Plate - Lower Feed Roller	37- 20
C235 3004	Press Dram Unit - Ass'y	39- 6
C235 4491	Paper Guide - Front	45- 10
C235 4492	Right Front Paper Guide	45- 8

Part No.	Description	Page and Index No.
C235 4493	Paper Guide - Rear	45- 9
C235 4494	Right Rear Paper Guide	45- 21
C235 4495	Antistatic Brush	45- 22
C235 4497	Side Fence Spacer Shield Small	49- 49
C235 5101	MPU Board	83- 6
C235 5101	MPU Board	87- *
C235 5114	IC Card MPU - With Firmware	83- 18
C235 5236	Paper Size Harness Ass'y	29- 23
C235 5835	Power Supply Cord (EU)	85- 7
C235 8600	Operating Instructions - English	97- 5
C235 8607	Operating Instructions - English	97- 5
C235 8690	Operating Instructions - English	97- 5
C235 8697	Operating Instructions - English	97- 5

Part No.	Description	Page and Index No.
AA05 0107	Scanner Wire	67- 17
AA06 3163	Connector Spring	77- 6
AA06 3163	Connector Spring	35- 9
AA13 2080	Spacer - Cleaning Brush	53- 5
AA13 2115	Collar - Cam Follower	39- 15
AA14 3005	Stepped Screw - M4x2.5	21- 7
AA14 3062	Shoulder Screw - M4	41- 15
AA14 3120	Stepped Screw - M3x3	77- 8
AA14 3120	Stepped Screw - M3x3	35- 8
AA14 3718	Stepped Screw - M4	43- 14
AA16 2067	Platen Cover Pad	17- 2
AB03 0630	Timing Pulley - 60T	67- 12
AB03 2066	Front Pulley - Wire Drive	67- 18
AB03 2067	Rear Pulley - Wire Drive	67- 21
AC03 0123	3rd Mirror	67- 10
AG07 1009	Rotary Catch	95- 6
AG07 1009	Rotary Catch	21- 1
AG07 1010	Magnet Catch	21- 6
AW02 0075	Photointerruptor	33- 23
AW02 0075	Photointerruptor	51- 6
AW02 0075	Photointerruptor	77- 9
AW02 0075	Photointerruptor	71- 16
AW02 0075	Photointerruptor	25- 17
AW02 0075	Photointerruptor	27- 9
AW02 0075	Photointerruptor	31- 26
AW02 0075	Photointerruptor	43- 17
AW02 0075	Photointerruptor	59- 13
AW02 0075	Photointerruptor	57- 30
AW02 0075	Photointerruptor	35- 37
AW02 0075	Photointerruptor	47- 18
AW02 0086	Photointerruptor	63- 4
AW03 0030	Fiber Cable - 400	83- 1
AW10 0022	Optics Thermistor	59- 22
AW50 0012	Push Switch	59- 5
AW50 0012	Push Switch	35- 6

Part No.	Description	Page and Index No.
AW50 0012	Push Switch	77- 22
AX31 0024	Total Counter	21- 19
C200 2266	Bearing Holder	37- 1
C200 2338	Gear - 20T	73- 32
C200 3712	Pulley	33- 7
C201 4604	Drum Rail Roller	53- 23
C201 4604	Drum Rail Roller	35- 45
C201 4665	Bearing Holder	61- 2
C201 5125	Stepped Screw - M6	61- 6
C201 5125	Stepped Screw - M6	53- 29
C201 5125	Stepped Screw - M6	25- 6
C201 5125	Stepped Screw - M6	23- 21
C207 4672	Gear - 36Z	23- 9
C209 3133	Retaining Ring - M6	33- 17
C209 4303	Gear -27z	73- 7
C209 4305	Gear - 16Z	73- 17
C209 4713	Hose Band	59- 19
C209 5092	Rubber Plate Lever	29- 15
C209 8117	Drum Master Detection Sensor	71- 8
C209 8234	Drum Lock Solenoid	75- 29
C209 8288	Table Down Switch	21- 14
C213 2435	Magnet Plate	69- 20
C217 2454	Rear Cover Cap- Large	11- 22
C217 2455	Key Counter Cover	85- 1
C217 2455	Key Counter Cover	13- 13
C217 4426	Shoulder Screw	43- 11
C217 4426	Shoulder Screw	49- 35
C217 4590	Plate Nut	41- 26
C217 5102	Spring Washer	53- 3
C217 5126	Cam Follower Plate	37- 24
C217 8447	DC Motor - 24V/7.2W	35- 11
C217 8447	DC Motor - 24V/7.2W	33- 15
C218 2525	Stepped Screw - M4	45- 7
C218 3039	Flat Cable Clamp	85- 4
C218 4038	Bushing Washer - M8	73- 28



Part No.	Description	Page and Index No.
C219 3950	Stepped Screw	53- 2
C219 4071	Gear - 17Z	75- 19
C222 8208	Air Knife Motor	75- 24
C224 4715	Pump Spring - 13 mm	57- 14
C225 2866	Decal - Keytop Cover	15- 13
C225 2867	Decal - Keytop Cover	15- 13
C225 6135	Stepped Screw	61- 12
C226 2740	Emblem	11- 21
C227 6156	Upper Guide Shaft	49- 5
C228 8030	IC - Thermal Head Drive	87- 4
C229 1028	Pressure Cylinder Drive Shaft	23- 15
C229 1033	Drum Shaft Ass'y	23- 37
C229 1036	Drive Bracket	23- 22
C229 1039	Motor Gear	23- 33
C229 1040	Bearing Holder	23- 27
C229 1043	Dial Shaft	43- 19
C229 1044	Spacer	43- 45
C229 1048	Tension Bracket	23- 18
C229 1048	Tension Bracket	25- 4
C229 1050	Base	19- 1
C229 1063	Hexagon Screw - M5x4	23-104
C229 1064	Ball Bearing 68000zz	23- 31
C229 1066	Main Motor Base	23- 29
C229 1067	Tension Holder	23- 19
C229 1070	Grip Plate - Long	19- 3
C229 1071	Grip Plate - Short	19- 6
C229 1072	Grip Guide Bracket	19- 4
C229 1073	Right Grip Cover - Inner Rear	19- 5
C229 1075	Left Stay	43- 20
C229 1078	Harness Cover	19- 15
C229 1082	Front Guide Shaft	43- 10
C229 1083	Rear Guide Shaft	43- 25
C229 1090	Drum Drive Shaft	23- 12
C229 1092	Timing Pulley - Drum Drive	25- 12
C229 1093	Timing Pulley Bracket	25- 28

Part No.	Description	Page and Index No.
C229 1094	Timing Pulley - Pressure Cylinder	25- 9
C229 1096	Stand M28	19- 2
C229 1101	Drum Drive Support Plate	23- 10
C229 1121	Relay Gear Shaft	25- 26
C229 1123	Left Image Shaft Support Plate	25- 13
C229 1124	Sector Gear - Image Shift	25- 15
C229 1126	Sensor Acuator	25- 16
C229 1127	Right Support Plate	25- 8
C229 1128	Drive Support Bracket	25- 3
C229 1130	Relay Gear Ass'y	25- 14
C229 1136	Timing Pulley - Job Separator	43- 29
C229 1137	Drive Relay Gear	43- 38
C229 1139	Timing Belt - S2M190	43- 26
C229 1140	Feed Roller Drive Gear	23- 8
C229 1142	Timing Belt - S5M780	25- 11
C229 1143	Tension Spring	25- 7
C229 1143	Tension Spring	23- 20
C229 1145	Belt Tension Roller	25- 27
C229 1145	Belt Tension Roller	23- 17
C229 1151	Gear Pulley	23- 24
C229 1154	Timing Belt	23- 25
C229 1155	Driven Shaft Gear	43- 40
C229 1160	Dial Adjuster	43- 4
C229 1161	Dial Drive Pulley - 20Z	43- 3
C229 1162	Pulley Spacer	43- 2
C229 1163	Timing Belt - S3M118Z	43- 1
C229 1173	Dial Spring	23- 23
C229 1174	Image Shift Motor Bracket	25- 18
C229 1175	Worm Wheel	25- 20
C229 1176	Worm Gear	25- 24
C229 1177	Shift Sensor Encrder	25- 25
C229 1177	Shift Sensor Encoder	57- 41
C229 1178	Sensor Bracket	25- 22
C229 1179	Image Shift Drive Shaft	25- 21
C229 1180	Harness Guide	23- 26

Part No.	Description	Page and Index No.
C229 1187	Timing Belt - Pressure Cylinder Drive	25- 10
C229 1192	Drum Guide Pin	23- 16
C229 1198	Lower Timing Pulley - Cylinder Drive	23- 7
C229 1253	Door Cover	11- 1
C229 1253	Door Cover	95- 1
C229 1254	Cushion - Front Door	11- 5
C229 1258	Door Support Plate	11- 4
C229 1259	Door Catch Bracket	11- 9
C229 1260	Door Hinge Ass'y	11- 6
C229 1264	Safety Switch Bracket	11- 3
C229 1266	Front Right Cover	11- 20
C229 1270	Rear Right Cover	11- 19
C229 1272	Left Cover Bracket	21- 2
C229 1276	Left Cover	11- 11
C229 1288	Knob Cover - Cylinder Cleaning	13- 2
C229 1289	Small Cap	13- 1
C229 1290	Upper Right Support Plate	21- 15
C229 1291	Support Plate - Right Lower	29- 1
C229 1292	Exit Guide Plate Ass'y	45- 12
C229 1294	Inner Cover Seal	13- 9
C229 1299	Inner Cover	13- 4
C229 1309	Upper Door Cover (OEM)	11- 2
C229 1350	Operation Sheet	11- 7
C229 1350	Operation Sheet	97- 1
C229 1354	Decal Paper Feed	11- 23
C229 1356	Decal - Cylinder Operation	97- 10
C229 1356	Decal - Cylinder Operation	13- 3
C229 1359	Caution Decal	11- 24
C229 1359	Caution Decal	97- 14
C229 1472	Cover Behind	15- 4
C229 1473	Operation Panel Lower Case	15- 1
C229 1474	LED Display	15- 7
C229 1480	Key-top Start	15- 15
C229 1481	Key-top Stop	15- 16
C229 1482	Key-top Start	15- 14

Part No.	Description	Page and Index No.
C229 1483	Key-top Proof	15- 11
C229 1484	Key-top 10 Key	15- 9
C229 1485	Key-top Auto Cycle	15- 12
C229 1487	Key-top Program	15- 10
C229 1488	Key-top Initialize	15- 6
C229 1489	Key-top Display Monitor	15- 8
C229 1490	Key-top Behind	15- 5
C229 1508	LCD Spacer	15- 19
C229 1509	Dust Protection Sheet	15- 17
C229 1977	Plotter Cover - Front	69- 29
C229 1978	Decal - Master Removal	97- 7
C229 1978	Decal - Master Removal	69- 26
C229 1979	Stay - Plotter Cover	69- 21
C229 1982	Rear Cover	69- 16
C229 1985	Master Unit Stay	71- 5
C229 1993	Slide Rail Spacer	73- 3
C229 1994	Middle Rail Stopper Ass'y	75- 27
C229 1994	Middle Rail Stopper Ass'y	73- 1
C229 1995	Slide Rail	75- 22
C229 1995	Slide Rail	73- 2
C229 1998	Rear Rail Spacer	75- 23
C229 2006	Bushing	73- 5
C229 2028	Maser Roll Pulley	69- 15
C229 2032	Left Guide Mylar	71- 26
C229 2037	Lower Guide Mylar	71- 31
C229 2047	Right Reverse Roller Guide	75- 9
C229 2052	Release Guide Arm	75- 33
C229 2057	Upper Link Arm	75- 34
C229 2058	Lower Guide Link	75- 32
C229 2064	Lower Duct Cover	75- 2
C229 2066	Fan Cover	75- 39
C229 2071	Antistatic Brush - 310	75- 35
C229 2102	Drive Gear - 26z	77- 4
C229 2102	Drive Gear - 26Z	71- 13
C229 2103	Worm Gear	71- 21

Part No.	Description	Page and Index No.
C229 2104	Idle Gear	71- 20
C229 2107	Actuator Gear	71- 19
C229 2112	Release Cam	71- 11
C229 2113	Release Roller	71- 10
C229 2122	Right Roller Guide	73- 19
C229 2132	Plotter Cover	69- 19
C229 2138	Decal - Master Set	69- 5
C229 2138	Decal - Master Set	97- 9
C229 2139	Lower Master Cover	71- 24
C229 2142	Decal - Master Position	71- 30
C229 2147	Master Roller Bracket	69- 4
C229 2148	Left Arm - Master Feed Roller	69- 3
C229 2149	Right Arm - Master Feed Roller	69- 6
C229 2158	Master Feed Roller Knob	69- 10
C229 2159	Pressure Spring	69- 1
C229 2160	Release Spring	69- 8
C229 2161	Master Feed Roller Gear	69- 9
C229 2172	Master Feed Roller Stay	69- 11
C229 2187	Bracket Hinge Pin	69- 27
C229 2188	Front Master Stay	69- 24
C229 2189	Master Flange Spring	71- 1
C229 2193	Front Bracket - Master Flange	69- 25
C229 2209	Cutter Unit Ass'y	71- 9
C229 2215	Solenoid Cover	75- 30
C229 2239	Master Sensor Cover	71- 7
C229 2240	Bracket - Master Sensor	71- 6
C229 2248	Left Grounding Plate	75- 7
C229 2249	Grounding Plate	73- 30
C229 2251	Position Sensor Bracket	71- 25
C229 2254	Harness Cover	75- 13
C229 2255	Plotter Bottom Plate	75- 26
C229 2260	Plotter Connector Bracket	35- 5
C229 2261	Connector Plate	35- 4
C229 2264	Rear Stopper - Plotter	19- 22
C229 2267	Lock Holder	35- 7

Part No.	Description	Page and Index No.
C229 2275	Plotter Rail	19- 24
C229 2276	Middle Plotter Rail	19- 21
C229 2277	Plotter Rail Bracket	19- 23
C229 2279	Tension Bracket	21- 16
C229 2281	Master Tension Roller	21- 13
C229 2313	Drum Rail Ass'y	53- 27
C229 2357	Switch Lever Knob	53- 6
C229 2362	Drum Release Grip	53- 17
C229 2364	Front Inner Cover	53- 1
C229 2369	Bearing Shaft	59- 9
C229 2371	Bearing Shaft - Lower Left	59- 14
C229 2377	Magnet Catch Bracket	53- 13
C229 2379	Drum Guide Disk	55- 15
C229 2385	Grip Rail	53- 20
C229 2394	Spring Plate	53- 28
C229 2396	Spring Plate	53- 22
C229 2399	Decal - Drum Operation	97- 8
C229 2399	Decal - Drum Operation	53- 21
C229 2405	Drum Stopper Arm	53- 18
C229 2406	Drum Lock Spring	53- 19
C229 2413	Stepped Screw - Drum Lock	53- 24
C229 2419	Rear Drum Disk	55- 10
C229 2422	Rear Outer Flange	55- 14
C229 2423	Fixing Plate	55- 12
C229 2424	Plate Nut	55- 13
C229 2428	Slider	55- 9
C229 2431	Drum Positioning Pin	55- 11
C229 2434	Switch Acuator	55- 6
C229 2435	Drive Gear - 50Z	55- 24
C229 2441	Rear Drum Frame	53- 25
C229 2442	Rear Drum Flange	55- 16
C229 2450	Front Bank Plate	61- 18
C229 2451	Ink Roller	61- 16
C229 2458	Doctor Roller	61- 19
C229 2459	Gear - 37Z	61- 4

Part No.	Description	Page and Index No.
C229 2466	Rear Bank Plate	61- 20
C229 2470	Front Ink Blade	61- 1
C229 2471	Rear Ink Blade	61- 23
C229 2473	Adjusting Plate - Doctor Roller	61- 5
C229 2478	Gear - 19Z	61- 3
C229 2479	Support Stay	61- 13
C229 2487	Ink Holder Knob	57- 7
C229 2488	Ink Holder Slider	57- 5
C229 2490	Ink Bottle Bracket	59- 4
C229 2491	Ink Sensor Bracket	59- 7
C229 2493	Right Ink Holder	57- 2
C229 2494	Left Slide Rail	59- 10
C229 2495	Right Slide Rail	59- 11
C229 2496	Right Guide - Slide Rail	57- 1
C229 2498	Ink Cartridge Cover	57- 9
C229 2499	Left Guide - Slide Rail	57- 4
C229 2500	Left Ink Holder	57- 3
C229 2502	Ink Pump Ass'y	57- 44
C229 2509	Ink Supply Pump	57- 11
C229 2510	Pump Cap	57- 16
C229 2511	Pump Shaft	57- 18
C229 2514	O-ring P9	57- 8
C229 2515	O-ring P10	57- 10
C229 2516	O-ring P14	57- 12
C229 2517	O-ring P16	57- 17
C229 2518	Pump Shaft Holder	57- 20
C229 2519	Pump Shaft Guide	57- 19
C229 2520	Pump Drive Bracket	57- 21
C229 2525	Bushing - Pump Drive Gear	57- 25
C229 2526	Large Drive Gear	57- 26
C229 2527	Pump Gear	57- 24
C229 2528	Worm Gear	57- 23
C229 2529	Ink Supply Motor	57- 46
C229 2530	Ink Pump Sensor Bracket	57- 31
C229 2531	Pump Shaft Bushing	57- 22

Part No.	Description	Page and Index No.
C229 2532	Pump Case	57- 15
C229 2534	Distributor Bracket	59- 17
C229 2535	Ink Distributor	59- 18
C229 2537	Pump Motor Cover	57- 27
C229 2538	Ink Tube	59- 20
C229 2542	Harness Cover	59- 16
C229 2550	Sensor Actuator	61- 7
C229 2557	Ink Supply Roller Arm	61- 8
C229 2558	Motor Bracket	59- 2
C229 2563	Sensor Bracket	59- 12
C229 2571	Shift Motor Bracket	57- 40
C229 2576	Worm Gear	57- 37
C229 2580	Slide Fixed Plate	57- 33
C229 2581	Drum H.P Sensor Bracket	57- 35
C229 2582	Drum Shift Sensor Bracket	57- 39
C229 2583	Slider	57- 34
C229 2589	Drum Shift Cover	57- 38
C229 2590	Shift Motor Cover	57- 43
C229 2596	Front Screen Clamper	55- 3
C229 2601	Front Stepped Screw	55- 22
C229 2605	Clamper Seal	55- 7
C229 2609	Spring Plate	57- 32
C229 2615	Slide Rail Roller	19- 17
C229 2616	Right Drum Lock Pin	21- 12
C229 2621	Spring Plate	43- 31
C229 2624	Shift Drive Gear	57- 36
C229 2626	Drum Position Plate - Small	21- 20
C229 2631	Limit Sensor Bracket	43- 33
C229 2633	Stepped Screw	35- 34
C229 2644	Rear Dram Frame Aux.	53- 31
C229 2646	Gear Z16	61- 22
C229 2647	Drum Shaft	55- 17
C229 2751	Right Side Plate	31- 10
C229 2754	Left Side Plate	31- 6
C229 2755	Lift Up Rack - Paper Table	31- 1

Part No.	Description	Page and Index No.
C229 2756	Upper Stay	31- 8
C229 2757	Paper Table Lower Stay	31- 19
C229 2761	Cusion	31- 31
C229 2763	Lower Shield Plate	13- 17
C229 2764	Lower Shield Plate A	13- 15
C229 2765	Lower Shield Plate B	13- 16
C229 2766	Upper Shield Plate	13- 14
C229 2775	Right Stay - Paper Table	31- 28
C229 2776	Left Stay - Paper Table	31- 18
C229 2780	Side Fence Rack - Right	29- 31
C229 2781	Side Fence Rack	29- 34
C229 2784	Grounding Plate	29- 27
C229 2793	Side Fence Stopper	29- 8
C229 2794	Tension Spring Plate	29- 32
C229 2805	Paper Table Ass'y	31- 9
C229 2807	Paper Table - Fixed	31- 29
C229 2810	Paper Set Sensor Bracket	31- 27
C229 2814	Right Adjusting Plate	31- 25
C229 2815	Left Adjusting Plate	31- 24
C229 2816	Pressure Release Arm - Right	31- 23
C229 2817	Pressure Release Arm - Left	31- 22
C229 2820	Pressure Release Plate	31- 21
C229 2823	Table Lift Shaft	31- 20
C229 2824	Gear - 20Z	31- 3
C229 2826	Spring Anchor - Right	31- 7
C229 2827	Spring Anchor - Left	31- 2
C229 2828	Lift Up Spring - Paper Tray	29- 2
C229 2829	Lift Up Shaft	31- 4
C229 2833	Paper Feed Arm	33- 30
C229 2834	Balancer Arm	33- 24
C229 2835	Paper Feed Roller Ass'y	33- 27
C229 2836	Paper Feed Roller	33- 28
C229 2837	Paper Feed Roller - Center	33- 29
C229 2838	Pick-up Roller Shaft	33- 20
C229 2839	Paper Feed Roller Shaft	33- 19

Part No.	Description	Page and Index No.
C229 2840	Pad	31- 14
C229 2845	Paper Feed Guide Plate	33- 3
C229 2850	Paper Feed Stay	33- 22
C229 2856	Worm Wheel Gear - 14Z/40Z	33- 12
C229 2857	Gear - 14Z/42Z	35- 18
C229 2857	Gear - 14Z/42Z	33- 8
C229 2858	Separation Control Rack	33- 6
C229 2860	Spring Bracket	33- 4
C229 2861	Paper Pressure Spring	33- 10
C229 2862	Paper Pressure Lever	33- 11
C229 2863	Bushing	33- 9
C229 2864	Paper Sensor Feller	33- 25
C229 2866	Height Sensor Bracket	33- 21
C229 2893	Right Pressure Arm	37- 12
C229 2894	Left Pressure Arm	37- 10
C229 2898	Pressure Release Lock Arm - Right	37- 13
C229 2899	Pressure Release Lock Arm - Left	37- 9
C229 2900	Pressure Release Shaft	37- 11
C229 2901	Pressure Roller Spring	37- 7
C229 2906	Lower Registration Roller	37- 22
C229 2907	Registration Roller Pulley - 14Z	37- 25
C229 2919	Guide Plate Spacer	37- 19
C229 2921	Registration Sensor Bracket	37- 14
C229 2922	Right Bracket - Guide Plate	37- 23
C229 2923	Left Bracket - Guide Plate	37- 21
C229 2927	Pressure Release Gear	27- 15
C229 2929	Pressure Release Cam	27- 16
C229 2930	Guide Plate	27- 14
C229 2931	Pulley Cover	27- 13
C229 2946	Motor Pulley	27- 18
C229 2947	Drive Pulley - Paper Separation	33- 1
C229 2948	Timing Belt - 80-XL-050	27- 21
C229 2949	Timing Belt - 75-MXL-64	33- 26
C229 2950	Feed Roller Drive Pulley	33- 32
C229 2951	Decal - Paper Size	97- 2

Part No.	Description	Page and Index No.
C229 2951	Decal - Paper Size	29- 20
C229 2952	Spring Plate - Paper Tray	29- 25
C229 2954	Spring Plate	29- 26
C229 2955	Ground Plate	29- 24
C229 3092	Front Encoder Flange	39- 1
C229 3093	Encoder	39- 5
C229 3094	Encoder Holder	39- 4
C229 3096	Paper Feed Actuator	39- 2
C229 3133	Control Plate - Cam Drive	43- 41
C229 3135	Bushing - Cam Shaft	43- 6
C229 3143	Rack - Exchange Ass'y	43- 12
C229 3145	Worm Wheel - 50Z/16Z	43- 16
C229 3145	Worm Wheel - 50A/16a	47- 25
C229 3146	Gear - 80Z/16Z	43- 15
C229 3148	Bushing	43- 13
C229 3150	Job Motor Bracket	43- 43
C229 3161	Pressure Shaft Bracket - Front	41- 3
C229 3163	Solenoid Bracket	41- 13
C229 3164	Release Shaft Arm	41- 8
C229 3165	Pressure Release Shaft	41- 6
C229 3166	Release Spring	41- 9
C229 3181	Adjusting Cam	23- 6
C229 3182	Pressure Cylinder Gear	23- 5
C229 3183	Pressure Cylinder Sub Gear	23- 2
C229 3184	Stopper Flange	23- 4
C229 3185	Gear Adjuster	23- 1
C229 3186	Pressure Spring	23- 3
C229 3194	Pressure Cylinder Gear	43- 42
C229 3195	Gear Spacer	43- 34
C229 3196	Joint Flange	39- 3
C229 3196	Joint Flange	23- 14
C229 3205	Position Shaft	41- 17
C229 3206	Shaft Stopper	41- 1
C229 3207	Rimg - M14	41- 12
C229 3220	Front Arm	41- 11

Part No.	Description	Page and Index No.
C229 3226	Pressure Cylinder Shaft Holder	41- 14
C229 3227	Pressure Cylinder Shaft Guide	41- 16
C229 3230	Rear Arm	41- 23
C229 3234	Encoder Guide	41- 22
C229 3275	Front Spring Braket	41- 4
C229 3276	Rear Spring Braket	41- 24
C229 3303	Paper Exit Cover	45- 4
C229 3400	Master Eject Roller Ass'y	79- 34
C229 3401	Master Eject Box Ass'y	81- 27
C229 3450	Transport Roller	79- 35
C229 3451	Lower Transport Roller	79- 28
C229 3453	Upper Transport Roller	79- 26
C229 3454	Separation Roller	79- 27
C229 3455	Roller Stay	79- 16
C229 3456	Middle Guide	79- 25
C229 3457	Rear Upper Guide	79- 23
C229 3458	Front Upper Guide	79- 24
C229 3459	Pressure Spring	79- 7
C229 3462	Rear Side Plate	79- 18
C229 3464	Lower Stay	79- 32
C229 3465	Transport Lower Guide	79- 31
C229 3467	Sensor Bracket	79- 29
C229 3471	Roller Unit Knob	79- 9
C229 3474	Roller Unit Lock Arm	79- 11
C229 3476	Spring Plate	79- 8
C229 3478	Roller Unit Arm	79- 10
C229 3481	Collar - 6mm	79- 22
C229 3485	Upper Slide Rail	79- 12
C229 3486	Bushing - Master Eject Roller	79- 6
C229 3487	Front Slide Plate	79- 1
C229 3488	Sensor Harness Cover	79- 33
C229 3491	Upper Case	81- 25
C229 3493	Master Press Arm	81- 17
C229 3494	Master Press Arm Shaft	81- 20
C229 3495	Master Stripper Pawl	81- 15

Part No.	Description	Page and Index No.
C229 3496	Master Stripper Pawl Holder	81- 16
C229 3497	Eject Box Guide Ass'y	81- 8
C229 3499	Eject Box Lower Stay	81- 13
C229 3501	Eject Box Slider	81- 9
C229 3502	Slide Lock Lever	81- 11
C229 3505	Upper Case Release Lever	81- 24
C229 3508	Release Spring	81- 23
C229 3509	Upper Case Bracket	81- 22
C229 3510	Maser Eject Cover	81- 5
C229 3513	Upper Case Grip	81- 21
C229 3514	Grounding Plate	81- 14
C229 3517	Lower Left Case	81- 18
C229 3518	Eject Box Upper Stay	81- 12
C229 3521	Mster Eject Box Grip	81- 1
C229 3522	Stepped Screw	27- 5
C229 3522	Stepped Screw	81- 4
C229 3523	Eject Box Lock Arm	81- 6
C229 3524	Eject Box Lock Lever	81- 2
C229 3525	Release Spring	81- 3
C229 3526	Eject Box Grip Bracket	81- 7
C229 3528	Decal - Maser Eject Box	97- 11
C229 3528	Decal - Master Eject Box	81- 26
C229 3529	Decal - Delivery Table Slider	81- 10
C229 3529	Decal - Delicvery Table Slid	97- 4
C229 3530	Driven Pulley - 18Z	79- 4
C229 3531	Gear/Pulley - 26Z/16T	79- 5
C229 3532	Timing Belt - S2M76	79- 3
C229 3533	Belt Tension Bracket	79- 14
C229 3536	Belt Tension Collar	79- 15
C229 3537	Transport Lower Gear - 26Z	79- 2
C229 3541	Joint Pressure Spring	77- 3
C229 3542	3rd Gear - 22Z	77- 18
C229 3543	Mortor Bracket	77- 26
C229 3544	Gear Pulley - 18Z/60Z	77- 20
C229 3545	2nd Gear - 8Z/32Z	77- 17

Part No.	Description	Page and Index No.
C229 3547	Joint Cam	77- 2
C229 3548	Joint Shaft	77- 1
C229 3549	Joint Gear Bracket	77- 5
C229 3551	Timing Belt - S2M160	77- 19
C229 3556	Torque Limiter	77- 24
C229 3557	Gear - 17Z	77- 23
C229 3558	2nd Gear - 18Z/49Z	77- 25
C229 3559	Master Eject Cam	77- 14
C229 3563	Motor Bracket	77- 16
C229 3564	Eject Cam Holder	77- 11
C229 3565	Master Eject Cam Spring	77- 13
C229 3566	Bushing - 8mm	77- 12
C229 3570	Rear Side Plate	77- 21
C229 3582	Positioning Sensor Bracket	77- 10
C229 3585	Sector Gear	43- 35
C229 3586	Driven Gear	43- 36
C229 3589	Slide Rail Stopper	79- 19
C229 3596	Lower Guide Stay - Transfer Roller	19- 14
C229 3597	Lower Stay	19- 13
C229 3609	Master Edge Guide	79- 13
C229 3615	Upper Guide - Eject Roller	79- 36
C229 3857	Left Support Plate	45- 6
C229 3858	Right Support Plate	45- 14
C229 3872	Timing Pulley	47- 13
C229 3874	Transport Belt	47- 3
C229 3875	Transport Belt Drive Shaft	47- 12
C229 3878	Knob	47- 1
C229 3911	Gear - 25Z/51Z	47- 24
C229 3912	Vacuum Plate Guide Arm	47- 8
C229 3913	Motor Bracket	47- 22
C229 3930	Gear Holder	43- 30
C229 3951	Lower Paper Exit Sensor Bracket	43- 22
C229 3952	Paper Exit Giude Plate	41- 7
C229 3961	Drive Pulley	43- 27
C229 3966	Drive Gear	43- 28

Part No.	Description	Page and Index No.
C229 3968	Paper Exit Pawl Lever	19- 12
C229 3973	Paper Exit Pawl Bracket	19- 10
C229 3975	Paper Exit Pawl Spring	19- 11
C229 3976	Lever Stopper	43- 39
C229 3977	Paper Exit Pawl Shaft	19- 9
C229 4001	Eject Clamper Open Arm	27- 1
C229 4050	Sector Guide Ass'y	27- 2
C229 4051	Joint Link	27- 3
C229 4052	Sector Gear	27- 6
C229 4053	Guide Pin	27- 4
C229 4054	Sector Arm	27- 8
C229 4056	Worm Gear	27- 10
C229 4057	Clamper Motor Bracket	27- 11
C229 4376	End Fence Cushion	49- 29
C229 4671	Sensor Bracket	51- 5
C229 4673	Separator Cover	45- 17
C229 4674	Separator Cover Hinge	45- 16
C229 4675	Separator Cover Shaft	45- 15
C229 4676	Separator Cover Spring	45- 18
C229 4677	Cushion	45- 20
C229 4701	Lift Motor Bracket	51- 8
C229 4702	Lift Motor Gurd Plate	51- 1
C229 4703	Separator Slider Bracket	51- 24
C229 4708	Screw Shaft	51- 10
C229 4709	Screw Shaft Boss	51- 14
C229 4711	Timing Pulley	51- 11
C229 4712	Timing Belt	51- 7
C229 4715	Slide Drive Gear	51- 13
C229 4718	Slider Holder	51- 16
C229 4724	Harness Clamp	51- 9
C229 4725	Separator Slider	51- 17
C229 4726	Separator Arm Link	51- 19
C229 4729	Separator Arm	51- 21
C229 4730	Separator Arm Holder	51- 22
C229 4733	Arm Spring	51- 20

Part No.	Description	Page and Index No.
C229 4734	Slider Spring Plate	51- 15
C229 5140	Ink Detection Board	53- 15
C229 5155	Paper Size Sensor Board	29- 28
C229 5157	Paper Pressure Board	33- 13
C229 5254	Harness - Master Sensor	79- 20
C229 5256	Harness - Oil Supply Motor	59- 1
C229 5351	IC - UPD65640GF	87- 5
C229 5611	Power Supply Cord Bracket	85- 8
C229 5613	Power Supply Cord Cover	85- 14
C229 5614	Total Counter Bracket	21- 17
C229 5615	Power Supply Unit Bracket	85- 11
C229 5619	Lower Bracket - MPU Board	85- 15
C229 5622	Motor Control Board Bracket	83- 15
C229 5624	Key Counter Bracket	85- 2
C229 5625	Interface Bracket	85- 6
C229 5626	Upper Bracket - MPU Board	85- 3
C229 5628	Board Holder Stay	25- 1
C229 5631	Main Switch Bracket	21- 4
C229 5636	Flat Cable Bracket	85- 10
C229 5636	Flat Cable Bracket	19- 27
C229 5638	Grounding Plate	19- 19
C229 5644	Safety Switch Bracket	21- 5
C229 5645	Safety Switch Lever	21- 8
C229 5646	Safety Switch Spring	21- 9
C229 5656	Upper Ground Plate - PCB	83- 5
C229 5657	Lower Grounding Plate - PCB	83- 8
C229 5730	Paper Table Motor Bracket	31- 30
C229 5732	Feed Pressuer Motor Bracket	33- 14
C229 5739	Master Sensor Cover	37- 5
C229 5800	Main Motor - DC24V 100W	23- 30
C229 5801	Stepper Motor	27- 17
C229 5803	DC Motor - 50W	77- 15
C229 5803	DC Motor - 50W	71- 18
C229 5803	DC Motor - 50W	57- 28
C229 5803	DC Motor - 50W	27- 12



Part No.	Description	Page and Index No.
C229 5804	DC Motor - 20W	47- 23
C229 5804	DC Motor - 20W	59- 3
C229 5804	DC Motor - 20W	43- 18
C229 5805	Stepper Motor - DC24V	51- 12
C229 5807	Photosensor - GP2A25	29- 30
C229 5807	Photosensor - GP2A25	71- 22
C229 5807	Photosensor - GP2A25	31- 13
C229 5807	Photosensor - GP2A25	43- 21
C229 5807	Photosensor - GP2A25	37- 16
C229 5811	DC Motor - 50W	77- 27
C229 5812	Print Counter	21- 18
C229 5813	Switch	51- 18
C229 5814	DC Motor - 24V	31- 11
C229 5820	DC Motor - 20W	25- 5
C229 5820	DC Motor - 20W	57- 42
C229 5823	DC Motor - 20W	51- 3
C229 5825	Master Sensor	47- 14
C229 5825	Master Sensor	79- 30
C229 5828	Stepper Motor	27- 22
C229 5830	Release Solenoid	41- 18
C229 5840	Main Motor Gear	23- 11
C229 9000	Drive Adjustment Tool Kit	99- 1
C230 2198	Magnet Catch	75- 31
C230 2199	Magnet Catch Spacer	75- 36
C231 4196	Decal - Exit Open And Close	49- 26
C231 4408	Side Fence Grip	49- 23
C231 4409	Support Plate	49- 37
C231 4413	Delivery Table Spring	49- 15
C231 4415	Upper Side Fence Pin	49- 19
C231 4420	Slider Spring Plate	49- 11
C231 4421	Slider Cover	49- 12
C231 4438	Stepped Screw	49- 36
C232 1164	Bracket Dial Ass'y	43- 9
C232 1167	Pulley Ass'y	43- 8
C232 1170	Cover Dial Print	43- 7

Part No.	Description	Page and Index No.
C232 1353	Decal - Start Key	97- 12
C232 1354	Instillation Sheet - Start Key	97- 3
C232 2003	Lower Tension Roller	73- 11
C232 2024	Gear - 16Z	75- 38
C232 2096	Front Left Release Plate	73- 29
C232 2097	Right Rear Release Plate	73- 25
C232 2098	Base Stopper Bracket	73- 23
C232 2775	Paper Tray - Sub	29- 35
C232 2841	Magnetic Guide Plate	31- 12
C232 2915	Upper Entrance Seal	37- 26
C232 3090	Feed Encoder Bracket	41- 19
C232 3091	Feed Encoder Guide	41- 27
C232 4395	Front Lower Guide	49- 30
C232 4396	Rear Lower Guide	49- 20
C232 5351	Connector - 68POLE	87- 6
C232 5610	Outlet Sheet	85- 12
C232 5610	Outlet Sheet	85- 16
C232 5616	PCB Bracket	83- 4
C232 5617	Lower Bracket	85- 13
C232 5618	Upper Bracket	83- 2
C232 5627	Bracket Circuit Board LED	21- 21
C232 5802	Circuit Board LED Ass'y	21- 22
C233 1011	Paper Delivery Hinge Ass'y	49- 47
C233 1034	Torque Limiter Drive Ass'y	23- 38
C233 1035	Torque Limiter Drive Ass'y	23- 35
C233 1036	Torque Limiter Ass'y	23- 36
C233 1065	Screw M3x4	23- 34
C233 1074	Torque Limiter 55kgf·cm	23- 28
C233 1079	Shielded Sleeve - Torque Limiter	23- 32
C233 1138	Drive Shaft	43- 37
C233 1290	Decal - Caption LED	97- 13
C233 1290	Decal - Caption LED	13- 18
C233 1295	Decal - Ink Supply	53- 32
C233 1295	Decal - Ink Supply	97- 6
C233 2042	Release Guide Plate	75- 10

Part No.	Description	Page and Index No.
C233 2157	Master Feed Roller	69- 12
C233 2162	Bushing	69- 30
C233 2493	Ink Sensor Terminal	59- 8
C233 2496	Ink Sensor Terminal - Center	59- 21
C233 2541	Drum Unit Frame	57- 45
C233 2625	Drum Position Plate	21- 11
C233 2645	Rear Drum Frame Stand	53- 30
C233 3191	Joint Core	23- 13
C233 3270	Pressure Spring	41- 5
C233 3482	Tension Spring - Positioning Roller	79- 17
C233 3495	Master Eject Unit Seal - Upper	79- 37
C233 3496	Master Eject Roller Unit - Lower	79- 38
C233 3497	Master Eject Unit Seal	79- 39
C233 3902	Discharge Brush - Adjusting Plate	47- 11
C233 4390	Paper Exit Base	49- 27
C233 4399	Delivery Table Front Stay	49- 33
C233 4400	Delivery Table Rear Stay	49- 32
C233 4405	Antistatic Brush	45- 13
C233 4409	Base Spacer - Paper Exit Sub-unit	49- 48
C233 4410	Slide Cover - Paper Exit	49- 46
C233 4411	Front Side Fence - Paper Exit	49- 13
C233 4412	Rear Side Fence - Paper Exit Sub Unit	49- 1
C233 4413	Side Fence Case - Paper Exit	49- 14
C233 4414	Pin - Lower Side Fence	49- 8
C233 4415	Exit Guide Plate - Front Upper	49- 9
C233 4416	Exit Guide Plate - Rear Upper	49- 2
C233 4417	Guide Plate Upper Stopper	49- 4
C233 4422	End Fence Case - Paper Exit	49- 22
C233 4423	End Fence Sheet	49- 28
C233 4424	Pin - Lower End Fence	49- 34
C233 4425	Link Guide	49- 7
C233 4426	Front Exit Guide	49- 10
C233 4427	Rear Exit Guide	49- 3
C233 4430	Antistatic Brush	49- 21
C233 4431	Remover/Install - Exit Front	49- 17

Part No.	Description	Page and Index No.
C233 4432	Remover/install - Eexit Rear	49- 31
C233 4441	Front Bracket - Exit Table	49- 18
C233 4442	Rear Bracket - Exit Table	49- 16
C233 4446	Adjusting Plate - Base	45- 11
C233 5150	Main Motor Control Board Ass'y	83- 14
C236 1080	Scanner Right Stay	19- 20
C236 1265	Lower Panel Cover	13- 5
C236 1280	Rear Cover	11- 16
C236 1290	IC Card Cap - Control Board	11- 15
C236 1291	Cap - Interface Board	11- 14
C236 1295	Rear Upper Cover	11- 13
C236 1296	Scanner Right Cover	11- 18
C236 1297	Scanner Left Cover	11- 12
C236 1655	Carriage No.1 Ass'y	65- 13
C236 1672	Xenon Lamp - 10	65- 1
C236 1673	Lens Ass'y	65- 11
C236 1719	Ground Plate - Scanner Unit	65- 15
C236 1812	Pulley - Slow Down Ass'y	67- 26
C236 1815	Stepper Motor Base	67- 28
C236 1816	Tension Spring 8215mn	67- 23
C236 1817	Motor Bracket	67- 25
C236 1821	Timing Belt - B60S2M140	67- 27
C236 1822	Timing Belt - B60S2M186	67- 20
C236 1825	Stepper Motor - Ass'y	67- 22
C236 1829	Slow Down Flange - Mm15	67- 29
C236 1861	Left Guide Plate	19- 25
C236 1862	Hinge Spacer	19- 26
C236 1951	Front Side Plate	75- 28
C236 1961	Rear Side Plate - Plotter	75- 18
C236 1975	Plotter Front Cover Ass'y	69- 33
C236 1976	Front Stopper	69- 13
C236 1983	Platen Stopper Ass'y	69- 14
C236 2004	Compression Spring	73- 4
C236 2004	Compression Spring	69- 2
C236 2005	Roller Plate	73- 34

Part No.	Description	Page and Index No.
C236 2005	Roller Plate	73- 10
C236 2008	Upper Reverse Roller	73- 12
C236 2009	Lower Reverse Roller	75- 11
C236 2010	Lower Spacer - Reverse Roller	75- 12
C236 2011	Pulley - Upper Reverse Roller	73- 18
C236 2015	Tension Spring	75- 42
C236 2016	Guide Screw	75- 43
C236 2018	Timing Belt - B40S2M90	73- 16
C236 2019	Torque Limiter Gear - 0.15n M	73- 15
C236 2021	Slow Down Pulley	75- 16
C236 2022	Idler Gear - Platen	75- 14
C236 2023	Idler Gear - Pull Out Roller	75- 37
C236 2024	Idler Gear - Tension	75- 15
C236 2026	Spacer Plate - Gear Roller	73- 35
C236 2027	Idler Gear - Torque Limiter	75- 41
C236 2028	Supporting Plate - Plotter Drive	69- 32
C236 2031	Tension Bracket	75- 40
C236 2035	Rear Lower Guide Plate	71- 4
C236 2037	Lower Guide Myler	71- 2
C236 2038	Guide Plate Cover	71- 29
C236 2039	Rear Lower Guide Plate	71- 3
C236 2065	Guide Plate - Right Duct	75- 25
C236 2068	Lower Duct Case Ass'y	75- 1
C236 2073	Upper Duct Case Ass'y	75- 5
C236 2078	Discharge Brush - Lower Duct	75- 4
C236 2080	Platen Roller Ass'y	73- 8
C236 2082	Platen Gear	73- 31
C236 2085	Thermal Head Base	73- 36
C236 2087	Thermal Head Stay	73- 26
C236 2093	Compression Spring - 6.9n	73- 27
C236 2094	Compression Spring - 5.0n	73- 6
C236 2095	Tension Spring - Thermal Head	73- 24
C236 2109	Pressure Release Bracket	71- 17
C236 2119	Left Front Guide Plate	73- 21
C236 2120	Thermal Head Spacer	73- 22

Part No.	Description	Page and Index No.
C236 2135	Lower Master Guide Plate	71- 23
C236 2137	Thermal Head Master Guide	71- 27
C236 2165	Front Pin - Operation Panel	69- 28
C236 2170	Rear Pin - Operation Panel	69- 17
C236 2183	Rear Flange	69- 18
C236 2186	Rear Master Flange - P1 (RIC)	69- 31
C236 2187	Rear Master Flange - P2 (NRG)	69- 31
C236 2190	Master Pressure Spring	69- 23
C236 2195	Front Flange Ass'y	69- 22
C236 2222	Timing Belt - B106MXL9.5	75- 17
C236 2226	Reverse Motor Bracket	73- 13
C236 2232	Harness Guide	71- 14
C236 2234	Positioning Sensor Bracket	71- 15
C236 2235	Rear Harness Cover	71- 28
C236 2262	Sensor Stay	35- 3
C236 2265	Sensor Bracket	35- 2
C236 2266	Sensor Cover	35- 43
C236 2305	Ink Supply Roller Ass'y	61- 34
C236 2316	Drum Cloth Screen Ass'y	55- 5
C236 2351	Front Side Plate Ass'y	53- 11
C236 2353	Front Bracket - Magnet Catch	53- 16
C236 2359	Connector Slider	53- 10
C236 2360	Connector Bracket	53- 9
C236 2365	Switch Lever Bracket	53- 7
C236 2367	Switch Lever	53- 4
C236 2370	Lever Collar	53- 33
C236 2420	Front Outer Flange - S	55- 1
C236 2461	Front Side Plate	61- 24
C236 2462	Rear Side Plate	61- 25
C236 2464	Side Plate Stay	61- 36
C236 2465	Ground Plate - Ink Roller	61- 21
C236 2466	Middle Drive Gear	61- 15
C236 2479	Rear Screen Stay	55- 2
C236 2485	Rear Ink Holder Ass'y (RIC)	57- 6
C236 2489	Ink Holder M (NRG)	57- 6

Part No.	Description	Page and Index No.
C236 2491	Drum Metal Screen Ass'y (A3)	55- 8
C236 2493	Drum Metal Screen Shield (A3)	55- 4
C236 2495	Drum Metal Screen Ass'y (DLT)	55- 8
C236 2496	Drum Metal Screen Shield (DLT)	55- 4
C236 2498	Dram Metal Screen Shield	55- 25
C236 2501	Drum Pump Ass'y	57- 29
C236 2540	Ink Supply Roller Ass'y	61- 14
C236 2542	Ink Blade Ass'y	61- 35
C236 2552	Front Side Plate - Ink Supply Roller	61- 9
C236 2556	Rear Side Plate - Ink Supply Roller	61- 17
C236 2558	Blade Bracket	61- 30
C236 2559	Blade Stay	61- 31
C236 2560	Ink Blade	61- 32
C236 2561	Ink Shield	61- 33
C236 2562	Front Spring	61- 26
C236 2563	Rear Spring	61- 27
C236 2564	Worm Wheel Gear	61- 28
C236 2565	Ink Middle Gear	61- 29
C236 2566	Return Gear	61- 11
C236 2567	Arm Shaft	61- 10
C236 2590	Clamper Ass'y	55- 21
C236 2591	Clamper Base	55- 23
C236 2595	Clamp Protection	55- 20
C236 2596	Clamp Spring	55- 19
C236 2608	Switch Arm	53- 26
C236 2611	Rail	19- 18
C236 2620	Bracket - Drum Left	21- 10
C236 2840	Guide Rail Base	35- 30
C236 2844	Stepped Screw	35- 29
C236 2845	Upper Pressure Plate Ass'y	35- 44
C236 2847	Upper Pressure Plate	35- 28
C236 2848	Slider Bushing	35- 25
C236 2850	Magnetic	35- 41
C236 2851	Upper Slider	35- 26
C236 2852	Upper Guide Pin	35- 27

Part No.	Description	Page and Index No.
C236 2855	Lower Pressure Plate	35- 23
C236 2858	Compression Spring	35- 24
C236 2860	Separation Rack Ass'y	35- 21
C236 2862	Gear - 32Z/14Z	35- 40
C236 2863	Gear - 24Z	35- 16
C236 2864	Worm Wheel - Gear	35- 39
C236 2865	Worm Wheel - Gear	35- 14
C236 2866	Rubber Washer	35- 15
C236 2867	Compression Spring	35- 17
C236 2871	Motor Bracket	35- 20
C236 2875	Motor Bracket	35- 12
C236 2879	Sensor Bracket	35- 38
C236 2880	Separation Pad Holder Bracket	35- 35
C236 2886	Separation Pad - A Ass'y	35- 31
C236 2895	Separation Pad - B Ass'y	35- 32
C236 2905	Feed Roller - Upper	37- 8
C236 2914	Guide Plate Sheet	37- 27
C236 2915	Sheet Plate Guide	37- 2
C236 2922	Upper Feed Guide Plate	37- 18
C236 2941	Bracket - Master Sensor	37- 6
C236 2945	Optics Master Sensor Bracket - Sub-AS	37- 3
C236 2998	Tension Spring - 18N	27- 23
C236 3005	Drum Clamp Ass'y	39- 19
C236 3008	Separation Unit - Ass'y	45- 19
C236 3084	Spacer 0.3	39- 22
C236 3125	Cam Shaft Ass'y	43- 24
C236 3231	Large Clamp Cam	41- 10
C236 3237	Collar 6x11.2x1.5	39- 8
C236 3238	Collar 6x8x12.5	39- 20
C236 3239	Cushion - Clamp	39- 7
C236 3240	Clamp Ass'y	39- 17
C236 3244	Clamper Spring	39- 21
C236 3247	Clamper Exit Pawl	39- 13
C236 3248	Slider Exit Pawl	39- 11
C236 3249	Tension Spring - 2N	39- 12

Part No.	Description	Page and Index No.
C236 3251	Exit Pawl Shaft	39- 14
C236 3252	Exit Pawl Drive Guide	39- 16
C236 3256	Clamper Arm Ass'y	39- 9
C236 3259	Ball Bearing - 5x11x4	39- 23
C236 3261	Arm Ass'y	39- 10
C236 3264	Clamper Base	39- 18
C236 3269	Small Clamp Cam	41- 25
C236 3301	Air Knife Base	45- 2
C236 3302	Air Knife Duct	45- 1
C236 3402	Side Plate - Master Ejection	77- 28
C236 3570	Upper Stay	19- 16
C236 3942	Pickoff Pawl - Scraper	47- 10
C236 3978	Exit Pawl	19- 7
C236 4004	Vacuum Unit Ass'y	47- 29
C236 4650	Assortment Ass'y	51- 25
C236 5111	IC - Printed Circuit Board	87- 7
C236 5115	I/O Control Board Ass'Y	91- *
C236 5115	I/O Control Board Ass'y	83- 7
C236 5124	IC - I/O Control	91- 1
C236 5124	IC - I/O Control (19050045)	83- 9
C236 5157	Paper Feed Control Board	35- 13
C236 5160	Operation Panel Board	15- 18
C236 5170	IPU Board	83- 3
C236 5180	Thermal Head - A3	73- 20
C236 5200	DC Drive Harness	83- 10
C236 5206	Paper Feed Pressure Harness	33- 16
C236 5208	Ink Sensor Relay Harness	35- 33
C236 5209	SBU Harness	65- 12
C236 5210	Plotter Relay Harness	83- 19
C236 5210	Plotter Relay Harness	35- 10
C236 5212	Ink Sensor Harness	53- 8
C236 5214	Drum Unit Harness	59- 15
C236 5216	Main Switch Harness	83- 13
C236 5216	Main Switch Harness	21- 3
C236 5220	Scanner Harness	65- 10

Part No.	Description	Page and Index No.
C236 5222	Vacuum Unit Harness	47- 16
C236 5224	Drum H.P Harness	43- 32
C236 5226	Feed Encoder Harness	41- 20
C236 5228	Relay Harness - Master Eject Unit	77- 7
C236 5232	Encoder Harness	37- 17
C236 5232	Encoder Harness	25- 23
C236 5234	Air Knife Harness	45- 3
C236 5238	Separation Harness	35- 36
C236 5240	Feed Harness	37- 15
C236 5248	Plotter Harness	75- 6
C236 5262	Change Harness	43- 23
C236 5269	Assortment Sensor Harness	51- 2
C236 5270	Assortment Harness	51- 23
C236 5274	ADF Relay Harness	85- 9
C236 5300	DC Power Supply Ass'y - 225W	83- 12
C236 5353	IC - GATC LC27047C-RJ0	87- 8
C236 5354	IC - GASVI LC27048C-RJ1	87- 9
C236 5671	HDD Stay	83- 11
C236 5673	HDD Ground Plate	83- 16
C236 5673	HDD Ground Plate	25- 29
C236 5679	HDD Base	83- 17
C236 5731	Paper Feed Motor Bracket	27- 20
C236 5733	Harness Cover	33- 2
C236 5802	Stepper Motor - Mm50x40	75- 21
C236 5808	Stepper Motor Ass'y	73- 14
C236 5824	Fan Motor - DC24V 0.85A	45- 5
C236 5825	Sensor	35- 1
C236 5825	Sensor	37- 4
C403 1899	Rubber Bushing - M4	27- 19
C522 2435	Screw - M3	73- 33
C546 2080	Rear Cap	95- 7
C576 1050	Table ASS'Y	95- 10
C576 1086	Door HingeE	95- 2
C576 1091	Magnet Catach Plate	95- 3
C576 1092	Magnet Catch	95- 5

Part No.	Description	Page and Index No.
C576 1093	Caster	95- 8
C576 1094	Caster Stopper	95- 9
C576 1100	Adjusting Screw - Table	95- 12
C577 1000	Option Drum Case Ass'y	95- 11
C593 3120	Magnet Catch Screw M3x6	59- 23
C593 4100	Vacuum Plate	47- 6
C593 4101	Antistatic Brush	47- 17
C593 4102	Transport Belt Case	47- 2
C593 4103	Transport Belt Shaft	47- 27
C593 4104	Transport Belt Roller	47- 26
C593 4105	Center Roller - Delivery Table	47- 4
C593 4106	Front Vacuum Plate	47- 5
C593 4107	Rear Vacuum Plate	47- 7
C593 4108	Wing Position Sensor Bracket	47- 20
C593 4109	Transport Belt Drive Shaft	47- 9
C593 4111	Tapping Screw	47- 19
C593 4112	Grounding Plate	47- 15
C593 4113	Grounding Plate	47- 28
C593 4201	Side Fence Spacer Shield	49- 50
C593 5824	Fan - DC24V 0.9A	47- 21
C604 4410	End Plate Bracket	49- 24
C604 4413	Spacer - End Plate	49- 40
C604 4414	Cover - End Plate	49- 41
C604 4415	Sheet - End Plate	49- 25
C604 4416	Adjusting Screw	49- 42
C604 4420	Side Fence Spacer - Front	49- 45
C604 4421	Side Fence Spacer - Rear	49- 43
C604 4422	Exit Table Cover	49- 44
C604 4423	Spring Plate	49- 6
C604 4430	End Fence Ass'y	49- 38
C604 4432	Cushion End Plate	49- 39
C605 2491	Drum Metal Screen Ass'y (A4)	55- 8
C605 2493	Drum Metal Screen Shield (A4)	55- 4
G011 3305	Gear - 16T	29- 33
H012 1181	Bushing- 6mm	71- 12

Part No.	Description	Page and Index No.
H012 1181	Bushing- 6mm	73- 9
H521 1197	Scanner Seal	75- 20
H522 1100	Sensor Guide	43- 44

Part No.	Description	Page and Index No.
A006 9104	Scanner Positioning Pin	99- 2
A030 1339	Plate Nut - Key Counter	13- 12
A049 3371	Magnet	75- 3
A049 3371	Magnet	81- 19
A053 1957	Flex Hinge - Platen Cover	17- 3
A077 4162	Shoulder Screw - M3	69- 7
A109 4775	Stepped Screw - M5	29- 3
A109 4775	Stepped Screw - M5	85- 5
A153 6409	Decal - Keytop Cover	15- 13
A193 1248	Platen Cover Hinge Assembly	17- 7
A193 1386	Front Platen Cover	17- 4
A193 1391	Rear Platen Cover	17- 6
A193 1396	Original Holder	17- 5
A193 1759	Stepped Screw	63- 7
A193 1759	Stepped Screw	13- 7
A193 1766	Wire Clamp	65- 4
A193 1767	1st Mirror Holder	65- 7
A193 1769	Clamp - Rear Wire	65- 6
A193 1783	Tension Spring	67- 3
A193 1816	Slide Rail	67- 7
A193 1829	Ball Bearing - M8	67- 16
A193 5711	Power Supply Cord (NA)	85- 7
A230 9352	Flash Memory Card	99- 3
A250 1383	Bracket - Platen Cover	17- 10
A250 1384	Feeler - Platen Cover	17- 8
A250 1670	Left Scale	63- 6
A250 1670	Left Scale	13- 8
A250 1701	Rear Scale	13- 11
A250 1701	Rear Scale	63- 8
A250 1752	Exposure Glass	13- 10
A250 1752	Exposure Glass	63- 9
A250 1761	Original Sensor - H=2-66	65- 9
A250 1784	1st Mirror	65- 8
A250 5501	IC - G8 HG71C106FL	87- 1
A250 5503	IC - V-IPU	87- 2

Part No.	Description	Page and Index No.
A250 5736	Lamp Stabilizer	65- 14
A267 1089	Grounding Plate - Upper Rear	19- 28
A267 1671	Carriage - No.2 Ass'y	67- 11
A267 1743	Bracket - Scale	63- 5
A267 1752	1st Scanner Housing	65- 5
A267 1758	Harness Guide - Exposure Lamp	65- 2
A267 1776	Guide - FPC	67- 9
A267 1777	Mirror Holder	67- 8
A267 1811	Front Stay Bracket	67- 1
A267 1812	Rear Stay Bracket	67- 24
A267 1813	Scanner Frame	63- 2
A267 1814	Hinge Bracket - Platen Cover	63- 1
A267 1815	Right Inner Cover	63- 10
A267 1816	Guide - Flexible Board	67- 15
A267 1817	Slide Rail - 2	67- 6
A267 1819	Insulating Sheet - Side Plate	67- 14
A267 1825	Scanner Drive Shaft	67- 19
A267 1846	Idler Bracket	67- 4
A267 1849	Tension Bracket	67- 2
A267 1853	Pulley - Front Left	67- 5
A267 1854	Pulley - Rear Left	67- 13
A267 5508	IC - IMAC_R RF5C490	87- 3
A267 5703	Flexible Cable	65- 3
A296 6689	Decal - Earth	11- 17
A376 1257	Spacer - M4x6x6	75- 44
A548 6121	Screw - M4	17- 9
A659 1272	Door Catch	75- 8
A659 1272	Door Catch	95- 4
A659 1272	Door Catch	11- 8

Part No.	Description	Page and Index No.
5053 0223	Bushing - 8mm	33- 18
5053 0223	Bushing - 8mm	19- 8
5053 0223	Bushing - 8mm	31- 15
5053 0419	Bushing - 10mm	25- 2
5053 0447	Bushing - 6mm	25- 19
5053 0447	Bushing - 6mm	41- 2
5054 0536	Magnet Catch Ass'y	29- 10
5054 0536	Magnet Catch Ass'y	59- 6
5054 0536	Magnet Catch Ass'y	53- 12
5070 0923	Spring Washer - Rotating Table	29- 12
5151 1009	Shoulder Screw - M4	31- 16
5205 5250	LED Sensor Type S	41- 21
5219 1957	Stepped Screw - M4	33- 31
5304 1639	Bushing - 8mm	43- 5
5324 1658	Bushing- 4x8x4.5mm	51- 4
5350 1754	Stud - M5x4	55- 18
5419 5714	Stepped Screw - M4	33- 5
5419 5714	Stepped Screw - M4	35- 22
5442 1924	Exposure Glass Cushion	63- 3
5443 2713	Wave Washer	29- 37
5447 2681	Snap Ring	79- 21
5447 2681	Snap Ring	27- 7
5448 2804	Platen Cover Sheet	17- 1
5506 1536	Screw - M4X6	29- 38
5600 1403	Ball	57- 13
5606 2310	Roller	31- 5
5607 3927	Stepped Screw - M3x8	31- 17
5875 2088	Shoulder Screw - M4	53- 14

Part No.	Description	Page and Index No.
0241 6060B	Screw - M1.6X6	51-114
0242 0080Z	Screw - M2X8	79-106
0252 0080B	Screw - M2X8	47-106
0312 5050Z	Philips Pan Head Screw - M2.5x5	61-106
0313 0040Z	Philips Pan Head Screw - M3x4	61-102
0313 0050B	Philips Pan Head Screw - M3x5	67-104
0313 0060B	Philips Pan Head Screw - M3x6	35-105
0313 0060B	Philips Pan Head Screw - M3x6	43-109
0313 0060B	Philips Pan Head Screw - M3x6	83-102
0313 0080B	Philips Pan Head Screw - M3x8	79-105
0313 0080B	Philips Pan Head Screw - M3x8	75-102
0313 0120B	Philips Pan Head Screw - M3x12	23-111
0313 0350B	Philips Pan Head Screw - M3x35	21-106
0314 0060Z	Philips Pan Head Screw - M4x6	61-105
0314 0060Z	Philips Pan Head Screw - M4x6	57-112
0314 0080Z	Philips Screw - 4x8	61-111
0314 0080Z	Philips Screw - 4x8	55-108
0314 0120Z	Philips Screw - 4x12	57-101
0314 0160B	Philips Pan Head Screw - M4x16	23-103
0314 0200B	Philips Pan Head Screw - M4X20	25-112
0314 0350Z	Screw - M4X35	45-104
0323 0060Z	Philips Sunk Screw - M3x6	61-101
0323 0100Z	Philips Sunken Head Screw - M3x10	13-108
0323 0100Z	Philips Sunken Head Screw - M3x10	85-101
0324 0140B	Philips Sunken Head Screw - M4x14	69-105
0352 0080B	Screw M2.5x8	35-102
0352 0080B	Screw M2.5x8	71-103
0352 0080B	Screw M2.5x8	37-107
0352 5040B	Bind Screw - M2.5x4	51-107
0353 0040B	Screw - M3X4	57-106
0353 0040B	Screw - M3X4	47-110
0353 0040B	Screw - M3X4	75-113
0353 0040B	Screw - M3X4	27-104
0353 0040B	Screw - M3X4	35-106
0353 0040B	Screw - M3X4	31-104



Part No.	Description	Page and Index No.
0353 0040B	Screw - M3X4	25-109
0353 0040B	Screw - M3X4	31-107
0353 0040B	Screw - M3X4	59-101
0353 0040B	Screw - M3X4	33-105
0353 0040B	Screw - M3X4	43-106
0353 0040B	Screw - M3X4	61-107
0353 0040B	Screw - M3X4	71-105
0353 0040B	Screw - M3X4	77-105
0353 0040B	Screw - M3X4	73-108
0353 0040B	Screw - M3X4	41-109
0353 0040B	Screw - M3X4	57-103
0353 0040Z	Binding Head Screw M3x4 (100pcs)	19-110
0353 0040Z	Binding Head Screw M3x4 (100pcs)	13-106
0353 0050B	Philips Truss Head Screw - M3x5	73-111
0353 0050B	Philips Truss Head Screw - M3x5	21-103
0353 0050B	Philips Truss Head Screw - M3x5	51-105
0353 0050Z	Philips Truss Head Screw - M3x5	63-102
0353 0060B	Philips Pan Head Screw - M3x6	29-108
0353 0060B	Philips Pan Head Screw - M3x6	71-102
0353 0060B	Philips Pan Head Screw - M3x6	73-109
0353 0060B	Philips Pan Head Screw - M3x6	39-103
0353 0060Z	Screw - M3X6	73-105
0353 0060Z	Screw - M3X6	59-108
0353 0060Z	Screw - M3X6	75-114
0353 0060Z	Screw - M3X6	55-102
0353 0060Z	Screw - M3X6	53-109
0353 0080B	Screw - M3X8	41-110
0353 0100Z	Bind Screw - M3x10	55-105
0353 0350B	Philips Pan Head Screw - M3x35	75-112
0354 0040Z	Screw - M4X4	59-110
0354 0040Z	Screw - M4X4	55-103
0354 0050B	Bind Screw - M4x5	31-101
0354 0060B	Screw - M4X6	37-109
0354 0060B	Screw - M4X6	75-103
0354 0060B	Screw - M4X6	43-105

Part No.	Description	Page and Index No.
0354 0060B	Screw - M4X6	69-106
0354 0060Z	Philips Truss Head Screw - M4x6	55-101
0354 0080B	Screw - M4X8	43-114
0354 0080B	Screw - M4X8	33-111
0354 0140B	Screw - M4X14	27-110
0450 3006B	Tapping Screw - M3x6	51-113
0450 3006B	Tapping Screw - M3x6	29-107
0450 3008B	Tapping Screw - M3x8	57-102
0450 3008B	Tapping Screw - M3x8	81-103
0450 3008H	Tapping Screw M3x8	11-103
0450 3008W	Philips Tapping Screw - M3x8	13-102
0450 3012B	Tapping Screw -3x12	49-102
0450 4006B	Tapping Screw - 4x6	33-104
0450 4008B	Tapping Screw - 4x8	11-101
0450 4008B	Tapping Screw - 4x8	47-101
0450 4008B	Tapping Screw - 4x8	59-105
0450 4008B	Tapping Screw - 4x8	41-105
0450 4008B	Tapping Screw - 4x8	49-107
0450 4008B	Tapping Screw - 4x8	95-104
0450 4010B	Tapping Screw - 4x10	27-108
0450 4010B	Tapping Screw - 4x10	11-102
0450 4012B	Tapping Screw - M4x12	17-101
0450 4025B	Tapping Screw With Washer - M4x25	31-110
0451 3006B	Tapping Screw - M3x6	95-105
0451 3006B	Tapping Screw - M3x6	63-101
0451 3006B	Tapping Screw - M3x6	77-103
0451 3006B	Tapping Screw - M3x6	37-103
0451 3006B	Tapping Screw - M3x6	19-104
0451 3006B	Tapping Screw - M3x6	75-101
0451 3006B	Tapping Screw - M3x6	27-102
0451 3006B	Tapping Screw - M3x6	21-109
0451 3006B	Tapping Screw - M3x6	65-105
0451 3006B	Tapping Screw - M3x6	25-110
0451 3006B	Tapping Screw - M3x6	21-111
0451 3006B	Tapping Screw - M3x6	85-105

Part No.	Description	Page and Index No.
0451 3006B	Tapping Screw - M3x6	41-103
0451 3006B	Tapping Screw - M3x6	79-102
0451 3006B	Tapping Screw - M3x6	73-101
0451 3006B	Tapping Screw - M3x6	67-101
0451 3006B	Tapping Screw - M3x6	51-101
0451 3006B	Tapping Screw - M3x6	71-101
0451 3006B	Tapping Screw - M3x6	69-103
0451 3006B	Tapping Screw - M3x6	81-104
0451 3006B	Tapping Screw - M3x6	13-105
0451 3006B	Tapping Screw - M3x6	31-105
0451 3006B	Tapping Screw - M3x6	83-101
0451 3006B	Tapping Screw - M3x6	35-103
0451 3006H	Tapping Screw - 3x6	45-105
0451 3008B	Tapping Screw - M3x8	51-111
0451 3008B	Tapping Screw - M3x8	69-104
0451 3008B	Tapping Screw - M3x8	67-103
0451 3008B	Tapping Screw - M3x8	49-103
0451 3008B	Tapping Screw - M3x8	63-104
0451 3008H	Tapping Screw - M3x8	11-107
0451 4006B	Tapping Screw - 4x6	85-102
0451 4006B	Tapping Screw - 4x6	47-111
0451 4006B	Tapping Screw - 4x6	77-106
0451 4006B	Tapping Screw - 4x6	33-101
0451 4006B	Tapping Screw - 4x6	49-106
0451 4006B	Tapping Screw - 4x6	25-101
0451 4006B	Tapping Screw - 4x6	43-101
0451 4006B	Tapping Screw - 4x6	41-101
0451 4006B	Tapping Screw - 4x6	23-107
0451 4006B	Tapping Screw - 4x6	31-102
0451 4006B	Tapping Screw - 4x6	51-104
0451 4006B	Tapping Screw - 4x6	13-104
0451 4006B	Tapping Screw - 4x6	21-104
0451 4006B	Tapping Screw - 4x6	37-105
0451 4006B	Tapping Screw - 4x6	35-101
0451 4006B	Tapping Screw - 4x6	27-105

Part No.	Description	Page and Index No.
0451 4006B	Tapping Screw - 4x6	29-101
0451 4006B	Tapping Screw - 4x6	19-103
0451 4006B	Tapping Screw - 4x6	79-104
0451 4006B	Tapping Screw - 4x6	83-109
0451 4006H	Tapping Screw - M4x6	49-105
0451 4006H	Tapping Screw - M4x6	45-103
0451 4006H	Tapping Screw - M4x6	11-108
0451 4006H	Tapping Screw - M4x6	69-107
0451 4008B	Philips Tapping Screw - M4x8	11-105
0451 4008B	Philips Tapping Screw - M4x8	75-106
0451 4008B	Philips Tapping Screw - M4x8	81-101
0451 4008B	Philips Tapping Screw - M4x8	37-113
0451 4008B	Philips Tapping Screw - M4x8	23-113
0451 4008B	Philips Tapping Screw - M4x8	95-101
0451 4008B	Philips Tapping Screw - M4x8	39-102
0451 4008B	Philips Tapping Screw - M4x8	21-108
0451 4008H	Tapping Screw - 4x8	11-109
0451 4008H	Tapping Screw - 4x8	45-107
0451 4008H	Tapping Screw - 4x8	13-103
0451 4010B	Tapping Screw - 4x10	11-106
0451 4010B	Tapping Screw - 4x10	19-101
0451 4010B	Tapping Screw - 4x10	41-107
0452 3006B	Tapping Screw - M3x6	47-105
0452 3006B	Tapping Screw - M3x6	29-102
0452 3008B	Tapping Screw - M3x8	29-104
0452 3008B	Tapping Screw - M3x8	95-102
0452 3008H	Binding Self-tapping Screw - 3x8	49-101
0453 3006B	Tapping Screw - M3x6	37-112
0453 3006B	Tapping Screw - M3x6	11-104
0453 3006B	Tapping Screw - M3x6	29-103
0453 3010B	Binding Self Tapping Screw - M3x10	75-108
0453 3014B	Tapping Screw - M3x14	65-101
0453 4006B	Tapping Screw - 4x6	45-102
0453 4006H	Tapping Screw - M4x6	43-111
0453 4006H	Tapping Screw - M4x6	13-107

Part No.	Description	Page and Index No.
0453 4008Z	Tapping Screw - M4X8	29-106
0453 4010B	Tapping Bind Screw - M4x10	39-105
0573 0040E	Hexagon Headless Set Screw - M3x4	25-107
0574 0040E	Hexagon Headless Set Screw - M4x4	57-107
0574 0040E	Hexagon Headless Set Screw - M4x4	27-109
0574 0040E	Hexagon Headless Set Screw - M4x4	61-103
0574 0040E	Hexagon Headless Set Screw - M4x4	75-107
0574 0040E	Hexagon Headless Set Screw - M4x4	43-112
0574 0040E	Hexagon Headless Set Screw - M4x4	73-106
0574 0040E	Hexagon Headless Set Screw - M4x4	55-109
0574 0040E	Hexagon Headless Set Screw - M4x4	37-111
0574 0050E	Hexagon Headless Set Screw - M4x5	43-104
0575 0050E	Hexagon Headless Set Screw - M5x5	67-102
0586 0451Z	Hexagon Bolt - M6x45	41-104
0594 0100Z	Bolt - M4x10	55-110
0595 0080E	Hexagon Bolt - M5x8	23-101
0622 0100E	Spring Pin - 2x10mm	73-103
0623 0120E	Spring Pin - M3x12	75-115
0623 0140E	Spring Pin - 3x14mm	41-108
0623 0140E	Spring Pin - 3x14mm	47-107
0633 0140G	Parallel Pin - 3x14	33-102
0701 0030Z	Flat Washer - M3	75-117
0701 0080Z	Flat Washer - M8	29-105
0710 0040B	Hexagon Nut - M4	23-102
0720 0020E	Retaining Ring - M2	45-106
0720 0020E	Retaining Ring - M2	51-106
0720 0030E	Retaining Ring - M3	69-102
0720 0030E	Retaining Ring - M3	75-116
0720 0030E	Retaining Ring - M3	21-110
0720 0030E	Retaining Ring - M3	51-102
0720 0030Z	Retaining Ring - M3	49-104
0720 0030Z	Retaining Ring - M3	39-104
0720 0040E	Retaining Ring - M4	73-102
0720 0040E	Retaining Ring - M4	75-105
0720 0040E	Retaining Ring - M4	79-101

Part No.	Description	Page and Index No.
0720 0040E	Retaining Ring - M4	43-107
0720 0040E	Retaining Ring - M4	25-108
0720 0040E	Retaining Ring - M4	71-104
0720 0040E	Retaining Ring - M4	81-102
0720 0040E	Retaining Ring - M4	47-104
0720 0040E	Retaining Ring - M4	69-101
0720 0040E	Retaining Ring - M4	39-106
0720 0040E	Retaining Ring - M4	51-108
0720 0040E	Retaining Ring - M4	41-102
0720 0040E	Retaining Ring - M4	77-102
0720 0040E	Retaining Ring - M4	19-108
0720 0040E	Retaining Ring - M4	53-111
0720 0040E	Retaining Ring - M4	37-106
0720 0050Z	Retaining Ring - M5	33-112
0720 0050Z	Retaining Ring - M5	31-103
0720 0050Z	Retaining Ring - M5	57-105
0720 0050Z	Retaining Ring - M5	53-112
0720 0050Z	Retaining Ring - M5	59-106
0720 0060E	Retaining Ring - M6	25-103
0720 0060E	Retaining Ring - M6	37-101
0720 0060E	Retaining Ring - M6	35-104
0720 0060E	Retaining Ring - M6	43-102
0720 0060E	Retaining Ring - M6	23-106
0720 0060E	Retaining Ring - M6	27-101
0720 0060E	Retaining Ring - M6	19-105
0720 0060E	Retaining Ring - M6	33-103
0720 0080E	Retaining Ring - M8	39-101
0720 0080E	Retaining Ring - M8	47-102
0720 0080E	Retaining Ring - M8	25-102
0720 0080E	Retaining Ring - M8	43-103
0720 0080E	Retaining Ring - M8	23-105
0720 0080Z	Retaining Ring - M8	61-108
0725 0160E	Retaining Ring C - M16	61-109
0740 3008	Ball Bearing - 8x22x7	37-104
0740 3010	Ball Bearing - 10x26x8mm	47-103

Part No.	Description	Page and Index No.
0740 3206	Ball Bearing - 6x19x6	59-107
0741 3706	Ball Bearing - 6x10x3	75-118
0741 3706	Ball Bearing - 6x10x3	73-107
0741 3706	Ball Bearing - 6x10x3	37-110
0801 0103	Screw - M4X8	53-113
0801 0150	Philips Screw - M4x8	85-106
0801 1004	Screw - M4X4	35-108
0801 1004	Screw - M4X4	19-102
0802 5276	Tapping Screw With Washer - M3X6	63-103
0802 5276	Tapping Screw With Washer - M3X6	65-102
0804 6058	Knob Screw	13-101
0805 3134	Ball Bearing - 10x26x8mm	25-105
0805 3134	Ball Bearing - 10x26x8mm	43-113
0805 3205	Ball Bearing - 10x19x7mm	23-109
0805 3368	Ball Bearing - 8x16x5mm	33-109
0805 3385	Bushing - 6mm	79-103
0805 3385	Bushing - 6mm	77-101
0805 3386	Bushing - 8mm	37-102
0805 3444	Ball Bearing - 25x37x7	23-112
0807 3033	Washer - M4.5	23-114
0807 5013	Flat Washer - M8.4	35-107
0807 5037	Washer - 8.1mm	33-110
0807 7013	Spacer - 10.2x14x0.2mm	47-108
0807 7114	Washer - 16x24x0.3mm	55-104
0807 7114	Washer - 16x24x0.3mm	61-110
0951 3006Z	Philips Screw With Flat Washer - M3	53-102
0951 3006Z	Philips Screw With Flat Washer - M3	67-105
0951 3006Z	Philips Screw With Flat Washer - M3	19-106
0951 3006Z	Philips Screw With Flat Washer - M3	59-109
0951 3006Z	Philips Screw With Flat Washer - M3	57-104
0951 3006Z	Philips Screw With Flat Washer - M3	61-104
0951 3008Z	Philips Screw With Flat Washer - M3	53-103
0951 4006Z	Philips Screw With Flat Washer - M4	57-110
0951 4006Z	Philips Screw With Flat Washer - M4	59-102
0951 4006Z	Philips Screw With Flat Washer - M4	53-101

Part No.	Description	Page and Index No.
0951 4006Z	Philips Screw With Flat Washer - M4	55-106
0951 4008B	Philips Screw With Washer - M4x8	23-108
0951 4008Z	Philips Screw With Flat Washer M4x8	55-107
0951 4008Z	Philips Screw With Flat Washer M4x8	59-104
0951 4008Z	Philips Screw With Flat Washer M4x8	53-104
0951 4008Z	Philips Screw With Flat Washer M4x8	57-109
0957 5012B	Screw - M5X12	95-103
1100 1474	Test Pin	91-101
1100 1474	Test Pin	87-101
1102 2300	Connector - 26P	87-102
1102 3822	Connector - 20P	91-102
1102 4203	CT Header - 4P	91-103
1102 4203	CT Header - 4P	87-103
1102 4205	CT Header- 6p	91-104
1102 4211	CT Header - 12P	91-105
1102 4684	Connector - 5566-06R-210	91-106
1102 5003	Fiber Connector - DC1002 - 2p	91-107
1102 5305	Connector - 6P	91-108
1102 5413	Connector - 28P	87-104
1102 5414	Connector - 30P	91-109
1102 6396	Connector - 1P	91-110
1102 6418	Connector - PA1002	83-112
1102 6594	Connector - 10P	91-111
1102 6595	Connector - 11P	91-112
1102 6662	Connector - 4P	87-105
1102 7445	Connector - 46P	85-109
1102 7690	Connector - WR-120P-VF60-1	87-106
1102 7851	Connector - B20B	91-113
1102 8063	Connector - 54373-0600	87-107
1102 8085	Connector - FX2CA2-120P-1.27DSAL	91-114
1102 8086	Connector - FX2-120S-1.27SVL	87-108
1102 8397	Connector - B07B-CZHK-B-1	91-115
1102 8408	Connector - B24B-CZW HK-B-1	91-116
1102 8410	Connector - B28B-CZW HK-B-1	91-117
1102 8410	Connector - B28B-CZW HK-B-1	87-109

Part No.	Description	Page and Index No.
1102 8411	Connector - B32B-CZW HK-B-1	87-110
1102 8592	Connector - B09B-CZHK-B-1	87-111
1102 8593	Connector - B11B-CZHK-B-1	91-118
1102 8593	Connector - B11B-CZHK-B-1	87-112
1102 8594	Connector - B15B-CZHK-B-1	87-113
1102 8595	Connector - B17B-CZHK-B-1	91-119
1102 8596	Connector - B30B-CZW HK-B-1	87-114
1102 8597	Connector - B32B-CZWYK-B-1	87-115
1102 8598	Connector - B38B-CZW HK-B-1	87-116
1104 0588	Dip Socket - 28p	87-117
1104 0588	Dip Socket - 28p	91-120
1105 0005	Nylon Clamp - 3n	31-106
1105 0008	Nylon Clamp - 2N	43-110
1105 0016	Nylon Clamp - 4N	53-105
1105 0016	Nylon Clamp - 4N	59-103
1105 0113	Edge - P108	53-106
1105 0193	Nylon Stud	53-110
1105 0195	PCB Stud	65-104
1105 0199	Clamp	21-101
1105 0199	Clamp	57-108
1105 0199	Clamp	19-107
1105 0199	Clamp	77-107
1105 0199	Clamp	51-103
1105 0199	Clamp	43-108
1105 0199	Clamp	41-106
1105 0199	Clamp	37-108
1105 0199	Clamp	35-109
1105 0199	Clamp	33-108
1105 0199	Clamp	45-101
1105 0199	Clamp	53-108
1105 0199	Clamp	27-103
1105 0199	Clamp	25-106
1105 0229	Clamp	31-108
1105 0229	Clamp	35-110
1105 0229	Clamp	25-111

Part No.	Description	Page and Index No.
1105 0229	Clamp	51-110
1105 0229	Clamp	47-109
1105 0230	Clamp	75-111
1105 0230	Clamp	33-107
1105 0243	Wire Saddle	73-110
1105 0283	Clamp	71-106
1105 0291	Harness Clamp - LWS-3S	85-103
1105 0291	Harness Clamp - LWS-3S	75-110
1105 0291	Harness Clamp - LWS-3S	27-106
1105 0292	Wire Saddle	83-107
1105 0292	Wire Saddle	85-107
1105 0310	Harness Clamp - LWS-1S	19-109
1105 0310	Harness Clamp - LWS-1S	21-102
1105 0310	Harness Clamp - LWS-1S	77-104
1105 0310	Harness Clamp - LWS-1S	83-104
1105 0310	Harness Clamp - LWS-1S	85-108
1105 0310	Harness Clamp - LWS-1S	73-112
1105 0310	Harness Clamp - LWS-1S	57-111
1105 0310	Harness Clamp - LWS-1S	31-109
1105 0310	Harness Clamp - LWS-1S	59-111
1105 0310	Harness Clamp - LWS-1S	75-109
1105 0316	Clamp	85-110
1105 0328	Harness Clamp - ES-0505	75-104
1105 0328	Harness Clamp - ES-0505	73-104
1105 0328	Harness Clamp - ES-0505	51-112
1105 0329	Clamp - ES-0510	53-107
1105 0329	Clamp - ES-0510	33-106
1105 0413	Harness Clamp	51-109
1105 0413	Harness Clamp	23-110
1105 0413	Harness Clamp	25-104
1105 0413	Harness Clamp	85-104
1105 0413	Harness Clamp	83-103
1105 0413	Harness Clamp	27-107
1105 0460	Clamp	65-103
1105 0460	Clamp	63-105

Part No.	Description	Page and Index No.
1107 0868	FUSE - 5A 125V	83-105
1107 0874	Fuse - 10A 125V	83-108
1107 0880	Fuse - 6.3A 250V	83-111
1204 2356	Microswitch - AM51612A531	21-107
1204 2501	Main Switch	21-105
1400 0392	Transistor - DTC114EK	87-118
1400 0455	Transistor - 2SC2873Y	91-121
1400 0720	Transistor - DTC143ZSA	91-122
1400 0785	Transistor - DTD113ZK	91-123
1401 0400	Transistor Array - SLA4060	91-124
1401 0835	Diode - 1SS190	91-125
1402 0780	Diode - 200V - 1A - 11ES2	91-126
1402 1058	Diode Array - DA114	87-119
1402 1206	Zener Diode	91-127
1402 1342	Diode - 1SR154-400	91-128
1403 0828	Diode - SEC1901C	87-120
1403 0829	Diode - SEC1201C	87-121
1403 0829	Diode - SEC1201C	91-129
1407 1600	TTLIC - SN74LS244NS	91-130
1407 1600	TTLIC - SN74LS244NS	87-122
1407 1605	TTLIC - SN74LS157NS	91-131
1407 1746	TTL - SN74LS240NS	91-132
1407 2187	TTLIC - SN74LS07NS	87-123
1407 2187	TTLIC - SN74LS07NS	91-133
1407 2219	IC - TD62003AP	91-134
1407 2231	IC - TD62308AF	91-135
1407 2247	TTL - SN74LS164NS	91-136
1407 2261	IC - NJM2902M	91-137
1407 3285	IC - TC74HC08AF	91-138
1407 3306	IC - TC74HC244AF	91-139
1407 4300	IC - TC74VHC32F	87-124
1407 4315	IC - TE7751	91-140
1407 4321	IC - TC74VHC04F	87-125
1407 4323	TTL - TD74ABT244F	87-126
1407 4565	IC - TE6251	87-127

Part No.	Description	Page and Index No.
1407 4696	IC - M48T58Y-70PC1	87-128
1407 4715	IC - 74VHC138:SOP	87-129
1407 4718	IC - TC74VHC08F	87-130
1407 4794	IC - CMOS 74LCX244SJ	87-131
1407 4913	IC - 74VHC244	87-132
1407 5061	IC - Flash Memory - 16MX8/16 70NS	87-133
1407 5084	CMOS Logic - 74vhc11f Sop	87-134
1407 5162	CPU - HD6412350F20	87-135
1407 5162	CPU - HD6412350F20	91-141
1407 5331	IC - TC7MB3245FK	87-136
1408 0575	IC - M51957BFP	91-142
1408 0575	IC - M51957BFP	87-137
1408 0595	IC - NJM2904M	91-143
1408 0827	IC - TA8429H	91-144
1408 1204	IC - TA8083P	91-145
1408 1308	Regulator - PQ3RF33	87-138
1408 1408	IC - STK672-060	91-146
1408 1410	IC - STK672-120	91-147
1408 1503	IC - STK672-080	91-148
1503 0252	Crystal Resonater - 14.7456mhz	91-149
1503 0820	Oscilator - 29.4912mhz	87-139
1503 0863	Oscilator - 14.7456mhz	87-140
1503 0871	Oscilator-44mhz	87-141
1601 7752	Resistor Array - 10K $\Omega$ $\pm$ 5%	91-150
1601 7752	Resistor Array - 10K $\Omega$ $\pm$ 5%	87-142
1601 7791	Resistor Array - 1K $\Omega$ $\pm$ 5%	87-143
1601 7814	Resistor 3.3k $\Omega$ $\pm$ 5%	87-144
1601 7867	Resistor - 33 $\Omega$ $\pm$ 5% 1/16W	87-145
1601 7867	Resistor - 33 $\Omega$ $\pm$ 5% 1/16W	91-151
1601 7893	Resistor Array - 470 $\Omega$ $\pm$ 5% 1/16W	87-146
1601 8147	Variable Resistor - 10K $\Omega$ 0.5W	91-152
1601 8182	Resistor - 500KORM 0.5W	91-153
1601 8186	Variable Resistor - 200K $\Omega$	91-154
1602 0987	Capacitor & Coil - 270pF 100V	91-155
1602 7011	Capacitor - 270pF $\pm$ 20% 50V	91-156

Part No.	Description	Page and Index No.
1604 1475	Cap.,aluminum Electrolytic,100μF	91-157
1604 2601	Capacitor - 47μF ±20% 25V	87-147
1604 4333	Capacitor - 100μF ±20% 10V	87-148
1604 4333	Capacitor - 100μF ±20% 10V	91-158
1605 0577	Capacitor - 0.33μF +80-20%	87-149
1605 0781	Capacitor -5pF 50v	87-150
1605 0850	Capacitor	91-159
1606 1985	Capacitor - 0.033μF ±5% 50V	91-160
1606 1986	Capacitor - 0.1μF ±5% 16V	91-161
1607 0477	Coil - BLM21A121SPB	87-151
1607 0622	Ferrite Core - TFC16816	83-106
1607 0638	Ferrite Core - TFC25-15-12	83-110
1607 0815	BLM41P600SPB	87-152
1607 0906	Emi Filter ACF321825-101	87-153
1607 0927	Filter - ACF321825-220	87-154
1607 1018	Filter - ACB1608H-120	87-155
1607 1289	Filter BLA3216A300SG4	87-156
1610 1234	Resistor - 47Ω 1W ±5%	91-162
1630 1100	Resistor - 10Ω ±5% 1/4W	87-157
1630 1121	Resistor - 120Ω±5% 1/8W	91-163
1630 2221	Resistor - 220 Ω	91-164
1630 3100	Resistor - 10 Ω ±5% 1/10W	91-165
1630 3151	Resistor - 150 Ω ±5% 1/10W	91-166
1630 3221	Resistor - 220 Ω ±5% 1/10W	91-167
1630 3222	Resistor - 2.2KΩ 1/10W ±5%	91-168
1630 3332	Resistor - 3.3KΩ 1/10W ±5%	91-169
1630 3471	Resistor - 470Ω - 1/10W	91-170
1630 3472	Resistor - 4.7KΩ 1/10W ±5%	91-171
1630 3474	Resistor - 470K Ω ±5% 1/10W	91-172
1630 3682	Resistor - 6.8KΩ - 1/10W	91-173
1630 3683	Resistor - 68KΩ ±5% 1/10W	91-174
1630 3824	Resistor - 820KΩ ±5% 1/10W	91-175
1630 4101	Resistor - 100 Ω ±5% 1/16W	87-158
1630 4102	Resistor - 1.0KΩ ±5% 1/16W	87-159
1630 4102	Resistor - 1.0KΩ ±5% 1/16W	91-176

Part No.	Description	Page and Index No.
1630 4103	Resistor - 10KΩ ±5% 1/16W	91-177
1630 4103	Resistor - 10KΩ ±5% 1/16W	87-160
1630 4105	Resistor - 1.0MΩ ±5% 1/16W	87-161
1630 4105	Resistor - 1.0MΩ ±5% 1/16W	91-178
1630 4153	Resistor - 15KΩ ±5% 1/16W	91-179
1630 4222	Resistor - 2.2K Ω ±5%	91-180
1630 4243	Resistor - 24K Ω ±5% 1/16W	91-181
1630 4271	Resistor - 270Ω ±5% 1/16W	87-162
1630 4303	Resistor - 30KΩ ±5% 1/16W	87-163
1630 4330	Resistor - 33 Ω ±5% 1/8W	87-164
1630 4331	Resistor - 330 Ω ±5% 1/16W	87-165
1630 4332	Resistor - 3.3K Ω ±5% 1/16W	87-166
1630 4471	Resistor - 470 Ω ±5% 1/16W	87-167
1630 4562	Resistor - 5.6k Ω - ±5% - 1/16W	91-182
1630 4821	Resistor - 820 Ω ±5% 1/16W	91-183
1630 4821	Resistor - 820 Ω ±5% 1/16W	87-168
1633 0000	Resistor - 0 Ω 1/10W	91-184
1633 0000	Resistor - 0 Ω 1/10W	87-169
1633 1002	Resistor - 10K Ω ±1% 1/10W	87-170
1633 3741	Resistor - 3.7K Ω ±5% 1/10W	87-171
1633 6200	Resistor - 620Ω - 1/10W	91-185
1634 1000	Resistor - 100 Ω ±1% 1/16W	91-186
1634 1001	Resistor - 1KΩ ±5% 1/16W	91-187
1634 1002	Resistor - 10 Ω ±5% 1/16W	91-188
1634 1502	Resistor - 15KΩ ±1% 1/16W	91-189
1634 1600	Resistor - 160 Ω ±1% 1/16W	91-190
1634 2000	Resistor - 200 Ω ±1% 1/16W	91-191
1634 4301	Resistor - 4.3KΩ ±1% 1/8W	91-192
1634 4700	Resistor - 470Ω ±1% 1/16w	91-193
1634 6802	Resistor - 68KΩ ±1% 1/16W	91-194
1634 7501	Resistor-7.50kΩ ±1% 1/16w	91-195
1634 8200	Resistor - 820 Ω ±1% 1/16W	91-196
1640 5101	Capacitor - 100μF ±20% 50V	91-197
1644 0470	Capacitor - 47μF ±20% 10V	87-172
1644 1100	Capacitor - 10μF ±20% 16V	91-198

Part No.	Description	Page and Index No.
1644 2100	Capacitor - 10 $\mu$ F $\pm$ 20% 25V	87-173
1644 5100	Capacitor - 10 $\mu$ F $\pm$ 20% 50V	91-199
1644 5109	Capacitor - 1 $\mu$ F $\pm$ 20% 25V	87-174
1660 0100	Capacitor - 10PF $\pm$ 0.5pF 50V	91-200
1660 1100	Capacitor - 10pF 50V	87-175
1660 2101	Capacitor - 100pF - $\pm$ 10% - 50V	87-176
1660 2220	Capacitor - 22pF $\pm$ 20% 35V	87-177
1660 2470	Capacitor - 47pF $\pm$ 5% 50V	87-178
1660 2470	Capacitor - 47pF $\pm$ 5% 50V	91-201
1660 2471	Capacitor - 470pF - $\pm$ 5% - 50V	87-179
1660 2471	Capacitor - 470pF - $\pm$ 5% - 50V	91-202
1660 4103	Capacitor - 10000pF - $\pm$ 10% - 50V	91-203
1660 4103	Capacitor - 10000pF - $\pm$ 10% - 50V	87-180
1660 8104	Capacitor - 0.1 $\mu$ F +80-20% 25V	87-181
1660 8104	Capacitor - 0.1 $\mu$ F +80-20% 25V	91-204
1902 0040	SRAM 256kx8 70ns G9	87-182
1902 0042	RAM - 1M X8 70ns TSOP G2	87-183
1904 0013	SRAM - 256K X8 20ns G2	87-184

Part No.	Description	Page and Index No.
1907 0007	SDRAM - 64K 1MX 16x4 100mhz G3	87-185