

# **FIERY XJ BP100**

# **PARTS CATALOG**

## **PARTS CATALOG**

### **INTRODUCTION**

This chapter instructs you the numbers and names of parts on this machine.

### **INDEX to PARTS CATALOG**

# **FIERY XJ BP100**

# **(A750)**

**FIERY XJ BP100 (A750)**

## **PARTS CATALOG**

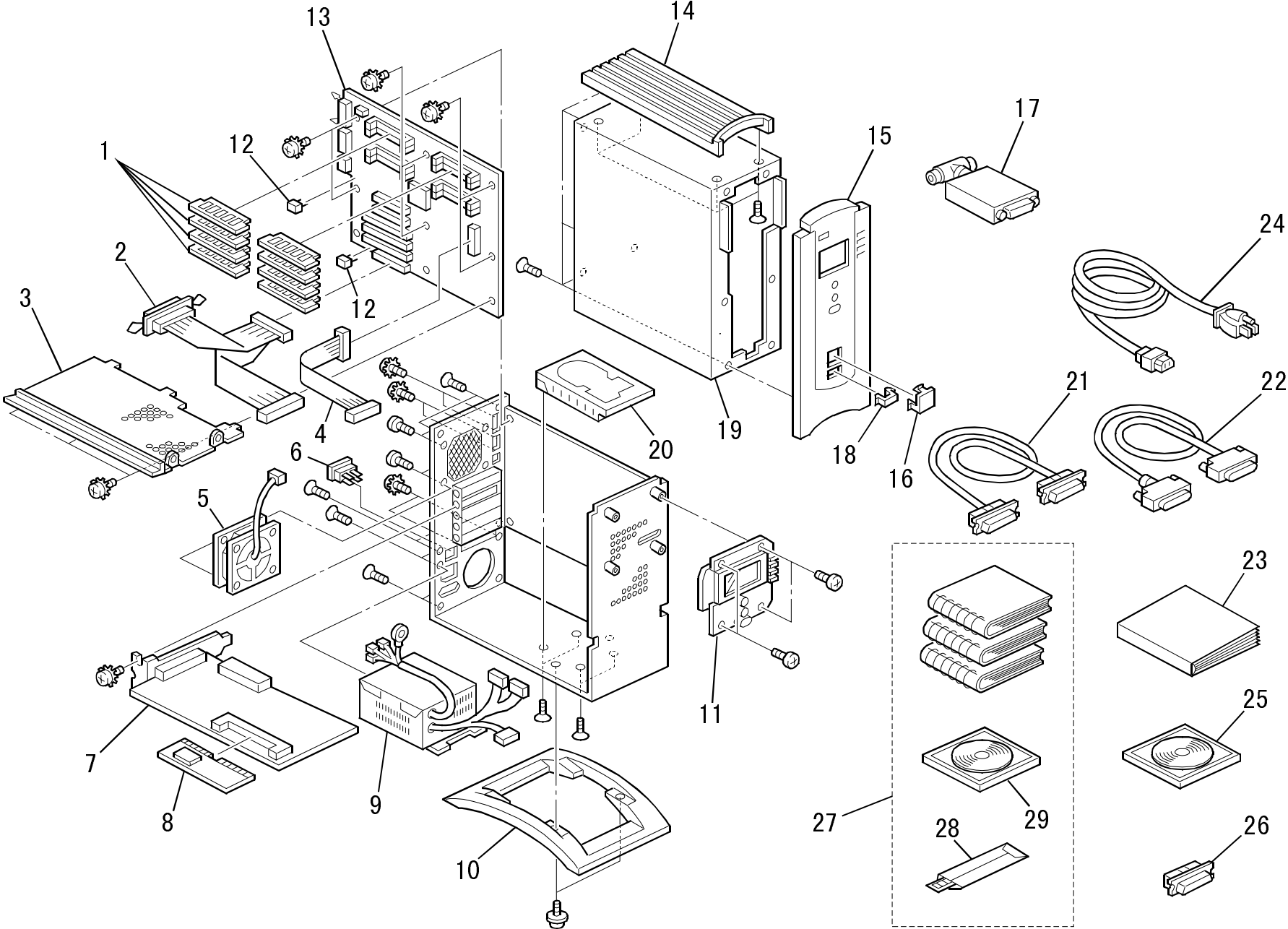
### **INTRODUCTION**

This chapter instructs you the numbers and names of parts on this machine.

### **INDEX to PARTS CATALOG**

|                                    |    |
|------------------------------------|----|
| 1.XJ BP100 (A750) .....            | 2  |
| 2.CD-ROM DRIVE KIT (A750-08) ..... | 4  |
| 3.100 BASE T KIT (A750-02) .....   | 6  |
| 4.TOKEN RING KIT (A750-03).....    | 8  |
| PARTS INDEX.....                   | 11 |

1.XJ BP100 (A750)



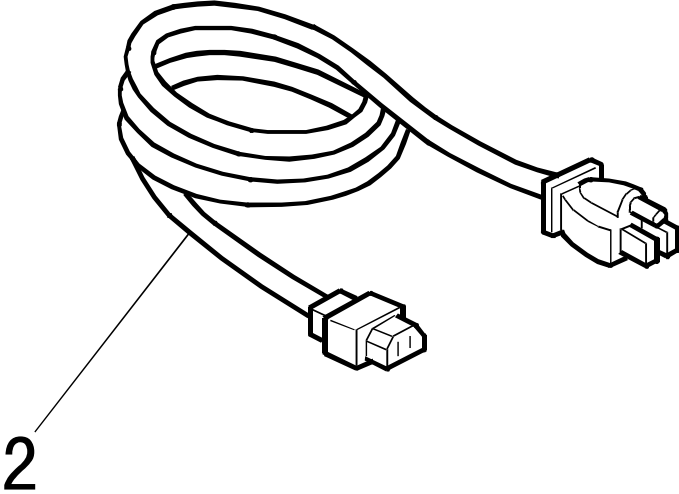
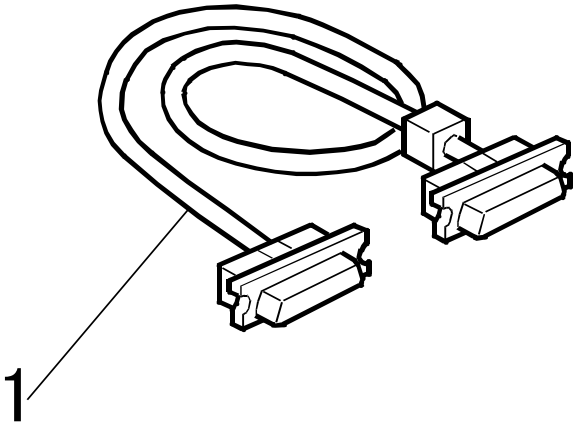
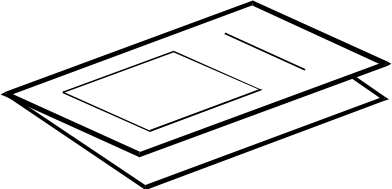
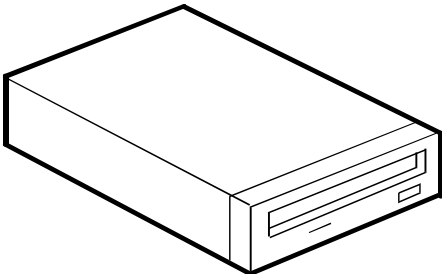
# 1.XJ BP100 (A750)

| Index No. | Part No.  | Description              | Q'ty Per Assembly |
|-----------|-----------|--------------------------|-------------------|
| 1         | A724 5071 | 8MB SIMM                 | 8                 |
| 2         | A724 5077 | SCSI Internal Harness    | 1                 |
| 3         | A724 5295 | Isolation Plate          | 1                 |
| 4         | A724 5079 | User I/F Board Harness   | 1                 |
| 5         | A724 5076 | PAPST Multifan 4312m     | 1                 |
| 6         | A724 5061 | Power Switch             | 1                 |
| 7         | A724 5184 | XJ - R/R2 Video Board    | 1                 |
| 8         | A750 5014 | STARR Comp Board         | 1                 |
| 9         | A724 5075 | Power Supply Unit        | 1                 |
| 10        | A724 5064 | XJ Stand                 | 1                 |
| 11        | A724 5069 | User Interface Board     | 1                 |
| 12        | A724 5143 | Mother Board Fuse        | 2                 |
| 13        | A750 5000 | BP100 Mother Board       | 1                 |
| 14        | A724 5173 | Top/Base Cover           | 1                 |
| 15        | A724 5174 | Front Bezel              | 1                 |
| 16        | A724 5067 | Fiery Jewel              | 1                 |
| 17        | A724 5112 | AUI/BNC Transceiver      | 1                 |
| 18        | A750 5001 | BP100 Jewel (20PCS/SET)  | 1                 |
| 19        | A724 5062 | XJ Chassis Cover         | 1                 |
| 20        | A724 5094 | 2.1GB SCSI HDD           | 1                 |
| 21        | A724 5304 | 36pin Centronics Cable   | 1                 |
| 22        | A724 5078 | Video Interface Harness  | 1                 |
| 23        | A750 9850 | XJ BP100 S/M             | 1                 |
| 24        | A583 6010 | Power Supply Cord - INTL | 1                 |
| 24        | A583 6009 | Power Supply Cord - USA  | 1                 |
| 25        | A750 9501 | CD-ROM Systemsoft BP100  | 1                 |
| 26        | A724 5157 | SCSI Terminator          | 1                 |
| 27        | A750 5002 | BP100 Media Pack English | 1                 |
| 28        | A724 5282 | Grayscale Strip          | 1                 |
| 29        | A750 5003 | BP100 User Software      | 1                 |

| Index No. | Part No. | Description | Q'ty Per Assembly |
|-----------|----------|-------------|-------------------|
|           |          |             |                   |



2.CD-ROM DRIVE KIT (A750-08)



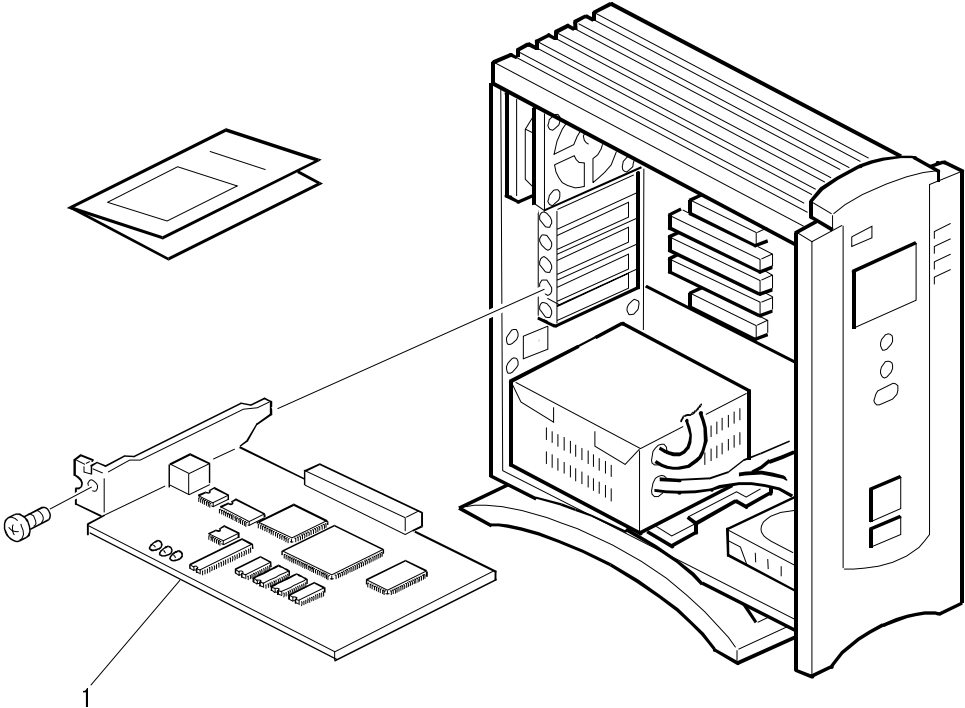
**2.CD-ROM DRIVE KIT (A750-08)**

| Index No. | Part No.  | Description              | Q'ty Per Assembly |
|-----------|-----------|--------------------------|-------------------|
| 1         | A583 6008 | SCSI Cable               | 1                 |
| 2         | A583 6010 | Power Supply Cord - INTL | 1                 |
| 2         | A583 6009 | Power Supply Cord - USA  | 1                 |

| Index No. | Part No. | Description | Q'ty Per Assembly |
|-----------|----------|-------------|-------------------|
|           |          |             |                   |



**3.100 BASE T KIT (A750-02)**

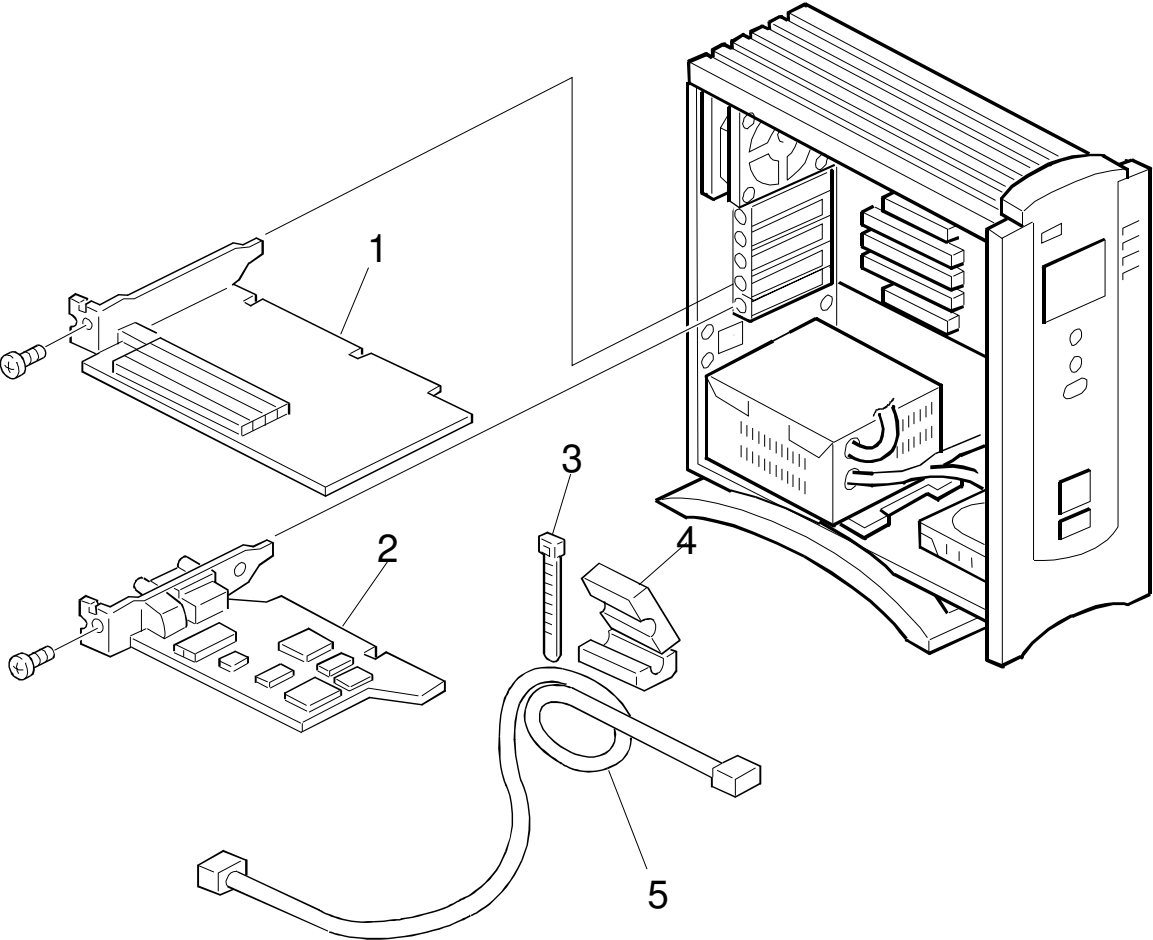


**3.100 BASE T KIT (A750-02)**

| Index No. | Part No.  | Description    | Q'ty Per Assembly |
|-----------|-----------|----------------|-------------------|
| 1         | A724 5335 | 100BASE T Card | 1                 |

| Index No. | Part No. | Description | Q'ty Per Assembly |
|-----------|----------|-------------|-------------------|
|-----------|----------|-------------|-------------------|

4.TOKEN RING KIT (A750-03)



#### 4.TOKEN RING KIT (A750-03)

| Index No. | Part No.  | Description              | Q'ty Per Assembly |
|-----------|-----------|--------------------------|-------------------|
| 1         | A724 5276 | Token Ring Enabler Board | 1                 |
| 2         | A724 5277 | Token Ring Card          | 1                 |
| 3         | A724 5300 | Cable Tie                | 2                 |
| 4         | A724 5299 | Ferrite Suppression Core | 1                 |
| 5         | A724 5279 | Ethernet Cable           | 1                 |

| Index No. | Part No. | Description | Q'ty Per Assembly |
|-----------|----------|-------------|-------------------|
|           |          |             |                   |

# **PARTS INDEX**

| Part No.  | Description              | Page and Index No. |
|-----------|--------------------------|--------------------|
| A750 5000 | BP100 Mother Board       | 3- 13              |
| A750 5001 | BP100 Jewel (20PCS/SET)  | 3- 18              |
| A750 5002 | BP100 Media Pack English | 3- 27              |
| A750 5003 | BP100 User Software      | 3- 29              |
| A750 5014 | STARR Comp Board         | 3- 8               |
| A750 9501 | CD-ROM Systemsoft BP100  | 3- 25              |
| A750 9850 | XJ BP100 S/M             | 3- 23              |

| Part No.  | Description              | Page and Index No. |
|-----------|--------------------------|--------------------|
| A583 6008 | SCSI Cable               | 5- 1               |
| A583 6009 | Power Supply Cord - USA  | 5- 2               |
| A583 6009 | Power Supply Cord - USA  | 3- 24              |
| A583 6010 | Power Supply Cord - INTL | 5- 2               |
| A583 6010 | Power Supply Cord - INTL | 3- 24              |
| A724 5061 | Power Switch             | 3- 6               |
| A724 5062 | XJ Chassis Cover         | 3- 19              |
| A724 5064 | XJ Stand                 | 3- 10              |
| A724 5067 | Fiery Jewel              | 3- 16              |
| A724 5069 | User Interface Board     | 3- 11              |
| A724 5071 | 8MB SIMM                 | 3- 1               |
| A724 5075 | Power Supply Unit        | 3- 9               |
| A724 5076 | PAPST Multifan 4312m     | 3- 5               |
| A724 5077 | SCSI Internal Harness    | 3- 2               |
| A724 5078 | Video Interface Harness  | 3- 22              |
| A724 5079 | User I/F Board Harness   | 3- 4               |
| A724 5094 | 2.1GB SCSI HDD           | 3- 20              |
| A724 5112 | AUI/BNC Transceiver      | 3- 17              |
| A724 5143 | Mother Board Fuse        | 3- 12              |
| A724 5157 | SCSI Terminator          | 3- 26              |
| A724 5173 | Top/Base Cover           | 3- 14              |
| A724 5174 | Front Bezel              | 3- 15              |
| A724 5184 | XJ - R/R2 Video Board    | 3- 7               |
| A724 5276 | Token Ring Enabler Board | 9- 1               |
| A724 5277 | Token Ring Card          | 9- 2               |
| A724 5279 | Ethernet Cable           | 9- 5               |
| A724 5282 | Grayscale Strip          | 3- 28              |
| A724 5295 | Isolation Plate          | 3- 3               |
| A724 5299 | Ferrite Suppression Core | 9- 4               |
| A724 5300 | Cable Tie                | 9- 3               |
| A724 5304 | 36pin Centronics Cable   | 3- 21              |
| A724 5335 | 100BASE T Card           | 7- 1               |