

**Color Controller E-7200  
(D502-01/-02)**

## Color Controller E-7200 (D502-01/-02)

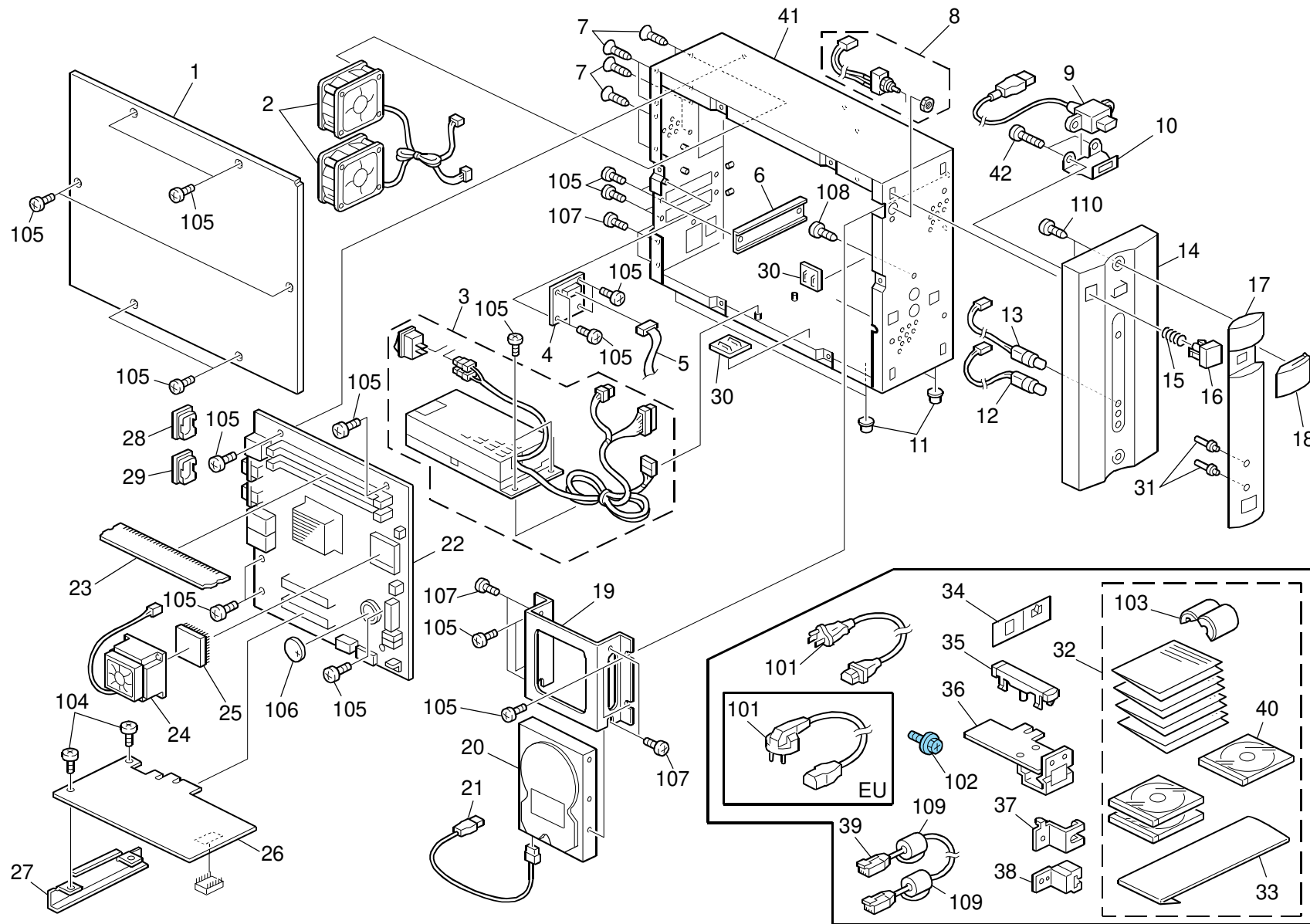
### PARTS CATALOG

This catalog gives the numbers and names of parts on this machine.

1.Controller (D502-01/-02).....	2
<b>Parts Index.....</b>	<b>6</b>

February 24, 2010

# 1.Controller (D502-01/-02)



## 1.Controller (D502-01/-02)

Index No.	Part No.	Description	Q'ty Per Assembly
1	5K53 0031	Panel:Side	1
2	5K53 0057	Fan:Case:60x60x25	2
3	5K53 0617	Power Supply Unit:SP1220LE-EFI7-R1	1
4	5K53 0252	PCB:7Segment_LED:Rohs	1
5	5K53 0604	Cable:16P:IDC:8_Inch	1
6	5K53 0033	Bracket:PCI:Blank	1
7	5K53 0040	Screw:Fan:4.88x10	8
8	5K53 0606	Cable:Power_S/W:Connector	1
9	5K53 0605	Cable:USB:Connector	1
10	5K53 0610	Bracket:USB:Shadeing Plate	1
11	5K53 0034	Rubber Foot:3/4	4
12	5K53 0608	Cable:LED:Amber:HDD	1
13	5K53 0607	Cable:LED:Green:Power	1
14	5K53 0634	Bezel:Base	1
15	R013 1050	Spring:Key Switch	1
16	5K53 0637	Bezel:Power_S/W:Button	1
17	5K53 0678	Bezel:Center:EXP	1
18	5K53 0636	Bezel:USB:Door	1
19	5K53 0038	Bracket:HDD:3.5	1
20	5K53 0257	HDD:HDS721680PLA380:Rohs	1
21	5K53 0264	Cable:SATA:Rohs	1
22	5K53 0616	Mother Board:S5207G2NR-EFI	1
23	5K53 0603	IC:DDR2:1GB:BUFFERD	1
24	5K53 0714	Fan:CPU:COFAN:30-1153-03	1
25	5K53 0615	CPU:Core_DUO_T2500:2.0GHz	1
26	5K53 0380	PCB:VIDEO:GRU	1
27	5K53 0631	Bracket:PCI:PARROT	1
28	5K53 0041	Connector Cover - VGA	1
29	5K53 0042	Connector Cover - COM	1
30	5K53 0036	Holder - Wire Binder	2
31	5K53 0609	Bezel:Light_Pipe:LED	2
32	D502 6711	Media_Pack(EFGISD)	1
33	G815 6607	Pack:Gray_Scale_Kit	1
34	D450 1053	Decal:Fiery:Server:ENG	1
35	B237 1545	Keytop:EFI-A	1

Index No.	Part No.	Description	Q'ty Per Assembly
36	G178 6033	PCB:Gigaethernet:PCIE	1
37	D377 5852	Bracket:NIC:VC2:Engine	1
38	5K53 0650	Bracket:NIC:VC2:EFI_CNT:Ass'y	1
39	D377 5851	Cable:NIC:3M:GIGA	1
40	D502 7060	DVD-ROM(1PC):System	1
41	5K53 0630	Base:EFI-VC2	1
42	5K53 0613	Screw:UNC 4x5/8	2
101	1150 0373	Power Supply Code:125V 15A NA	
102	0454 3006Q	Tapping Screw - M3x6	
103	1607 1092	Ferrite Core:RFC-10	
104	0352 5080N	Screw:M2.5x8	
105	0353 0040N	Screw - M3x4	
106	1206 0085	Primary Lithium Cell:CR2032	
107	0801 0226	Screw:UNC:#6-32	
108	0452 3006N	Binding Self-Tapping Screw:3x6	
109	1607 1461	Ferrite Core	
110	0452 3008N	Tapping Screw - M3x8	

# Parts Index

## Parts Index

Part No.	Description	Page and Index No.
D502 6711	Media_Pack(EFGISD)	3 - 32
D502 7060	DVD-ROM(1PC):System	3 - 40

Part No.	Description	Page and Index No.
B237 1545	Keytop:EFI-A	3 - 35
D377 5851	Cable:NIC:3M:GIGA	3 - 39
D377 5852	Bracket:NIC:VC2:Engine	3 - 37
D450 1053	Decal:Fiery:Server:ENG	3 - 34
G178 6033	PCB:Gigaethernet:PCIE	3 - 36
G815 6607	Pack:Gray_Scale_Kit	3 - 33

Part No.	Description	Page and Index No.
R013 1050	Spring:Key Switch	3 - 15

Part No.	Description	Page and Index No.
0352 5080N	Screw:M2.5x8	3 - 104
0353 0040N	Screw - M3x4	3 - 105
0452 3006N	Binding Self-Tapping Screw:3x6	3 - 108
0452 3008N	Tapping Screw - M3x8	3 - 110
0454 3006Q	Tapping Screw - M3x6	3 - 102
0801 0226	Screw:UNC:#6-32	3 - 107
1150 0373	Power Supply Code:125V 15A NA	3 - 101
1206 0085	Primary Lithium Cell:CR2032	3 - 106
1607 1092	Ferrite Core:RFC-10	3 - 103
1607 1461	Ferrite Core	3 - 109

