

# Printer Controller Type 700/1055 (B337/B590)

Second edition, July 2002

**Printer Controller Type 700/1055 (B337/B590)**

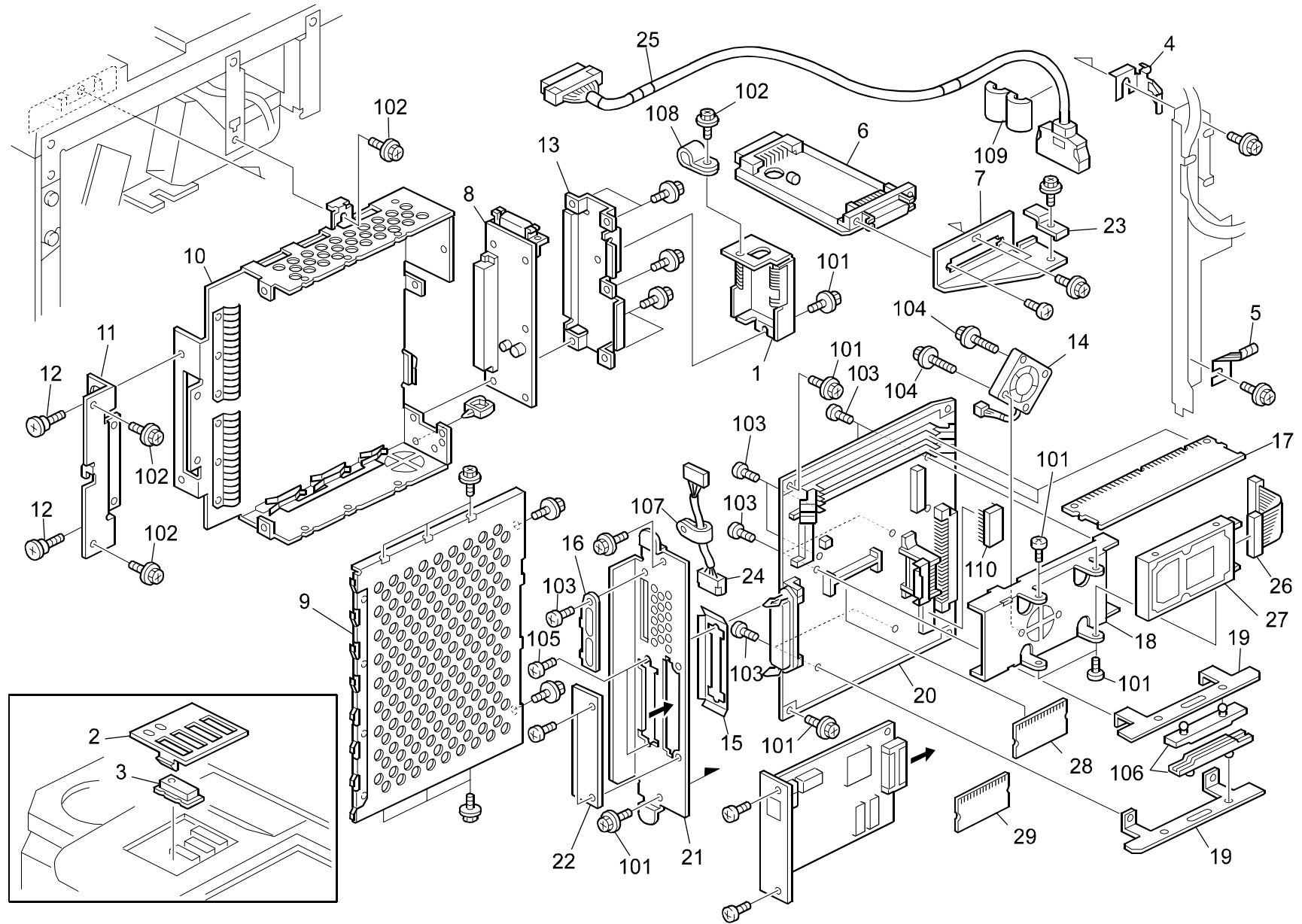
**PARTS CATALOG**

This catalog gives the numbers and names of parts on this machine.

1.PRINTER CONTROLLER (B337/B590) .....	2
<b>PARTS INDEX.....</b>	<b>5</b>

**August ,30 ' 2002**

# 1.PRINTER CONTROLLER (B337/B590)



## 1.PRINTER CONTROLLER (B337/B590)

Index No.	Part No.	Description	Q'ty Per Assembly
1	B336 5400	Connector Cover Ass'y	1
2	B000 1490	Cap Printer (B337)	1
2	B590 1490	Cap:Printer (B590)	1
3	B000 1492	Keytop - Printer NA (B337)	1
3	B000 1493	Keytop - Printer EU (B337)	1
3	B590 1492	Keytop:Printer:NA (B590)	1
3	B590 1493	Keytop:Printer:EU (B590)	1
4	B317 5412	Ground Plate	1
5	B317 5413	Ground Plate	1
6	B337 5320	I/F Board Ass'y	1
7	B317 5409	I/F Board Bracket	1
8	B317 5200	Mother Board Ass'y	1
9	B317 5402	Cover - Control Board Bracket	1
10	B317 5400	Base Bracket Ass'y	1
11	B317 5411	Protection Bracket	1
12	G004 3519	Stepping Screw	2
13	B337 5410	Mother Board Cover Ass'y (B337)	1
14	AX64 0118	Fan Motor - 15mm 5V	1
15	A235 5801	Shield Plate - Centronics	1
16	A850 5862	Cover - IC Card	1
17	B336 5303	IC - PC100 32Mb	1
18	B336 5410	HDD Bracket Loneos	1
19	B336 5415	Bracket - Loneos	2
20	B337 5200	Control Board Ass'y	1
21	B337 5405	DRUM Stay	1
22	G020 5849	Upper Cover - V20	1
23	A229 5872	Harness Clamp	1
24	B337 5451	Power Source Harness	1
25	B317 5450	Video Harness	1
26	B349 5450	HDD Harness	1
27	G690 7000	HD - MK1016GAP (B337)	1
28	B339 5000	PCB - PS	1
29	B338 5700	ROM DIMM (Tool)	1

Index No.	Part No.	Description	Q'ty Per Assembly
101	0451 3006B	Tapping Screw - M3x6	
102	0451 4008B	Philips Tapping Screw - M4x8	
103	0313 0050B	Philips Pan Head Screw - M3x5	
104	0313 0180B	Philips Pan Head Screw - M3x18	
105	0353 0080Z	Philips Trass Head Screw - M3x8	
106	1005 0808	Guide Rail - C/T	
107	1105 0236	Clamp	
108	1105 0306	Metal Clamp - Al-4	
109	1607 0672	Ferrite Core	
110	1407 5243	RAM - STK16C88-W45	

# Parts Index

## Parts Index

Part No.	Description	Page and Index No.
B337 5200	Control Board Ass'y	3 - 20
B337 5320	I/F Board Ass'y	3 - 6
B337 5405	DRUM Stay	3 - 21
B337 5410	Mother Board Cover Ass'y (B337)	3 - 13
B337 5451	Power Source Harness	3 - 24

Part No.	Description	Page and Index No.
A229 5872	Harness Clamp	3 - 23
A235 5801	Shield Plate - Centronics	3 - 15
A850 5862	Cover - IC Card	3 - 16
B000 1490	Cap Printer (B337)	3 - 2
B000 1492	Keytop - Printer NA (B337)	3 - 3
B000 1493	Keytop - Printer EU (B337)	3 - 3
B317 5200	Mother Board Ass'y	3 - 8
B317 5400	Base Bracket Ass'y	3 - 10
B317 5402	Cover - Control Board Bracket	3 - 9
B317 5409	I/F Board Bracket	3 - 7
B317 5411	Protection Bracket	3 - 11
B317 5412	Ground Plate	3 - 4
B317 5413	Ground Plate	3 - 5
B317 5450	Video Harness	3 - 25
B336 5303	IC - PC100 32Mb	3 - 17
B336 5400	Connector Cover Ass'y	3 - 1
B336 5410	HDD Bracket Loneos	3 - 18
B336 5415	Bracket - Loneos	3 - 19
B338 5700	ROM DIMM (Tool)	3 - 29
B339 5000	PCB - PS	3 - 28
B349 5450	HDD Harness	3 - 26
B590 1490	Cap:Printer (B590)	3 - 2
B590 1492	Keytop:Printer:NA (B590)	3 - 3
B590 1493	Keytop:Printer:EU (B590)	3 - 3
G004 3519	Stepping Screw	3 - 12
G020 5849	Upper Cover - V20	3 - 22
G690 7000	HD - MK1016GAP (B337)	3 - 27

Part No.	Description	Page and Index No.
AX64 0118	Fan Motor - 15mm 5V	3 - 14

Part No.	Description	Page and Index No.
0313 0050B	Philips Pan Head Screw - M3x5	3 -103
0313 0180B	Philips Pan Head Screw - M3x18	3 -104
0353 0080Z	Philips Trass Head Screw - M3x8	3 -105
0451 3006B	Tapping Screw - M3x6	3 -101
0451 4008B	Philips Tapping Screw - M4x8	3 -102
1005 0808	Guide Rail - C/T	3 -106
1105 0236	Clamp	3 -107
1105 0306	Metal Clamp - Al-4	3 -108
1407 5243	RAM - STK16C88-W45	3 -110
1607 0672	Ferrite Core	3 -109