

PostScript3 Unit Type M25	(D3D4)
IPDS Unit Type M25	(D3D4)
OCR Unit Type M13	(D3AC)
XPS Direct Print Option Type M25	(D3D4)
DataOverwriteSecurity Unit Type M19	(D3BS)
IEEE 1284 Interface Board Type M19	(D3C0)
File Format Converter Type M19	(D3BR)
IEEE 802.11a/g/n Interface Unit Type M19	(D3BR)
Copy Connector Type M25	(D3D3)
USB Device Server Option Type M19	(D3BC)
Extended USB Board Type M19	(D3BS)
Enhanced Security HDD Option Type M10	(D792)
SD Card for Fonts Type D	(D641)
Optional Counter Interface Unit Type M12	(B870)
NFC Card Reader Type M19	(D3BS)
Smart Card Reader Built-in Unit Type M19	(D3BS)
Key Counter Bracket Type1027	(B452)

PARTS CATALOG

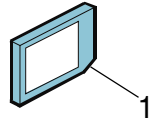
This catalog gives the numbers and names of parts on this machine.

CONTENTS

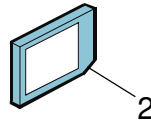
1. Controller Options 1.....	2 P
2. Controller Options 2.....	4 P
3. Other Options.....	6 P
4. Parts Index.....	8 P

1. Controller Options 1

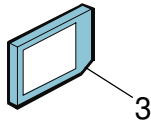
PostScript3 Unit Type M25 (D3D4-05, 06, 07)



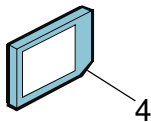
IPDS Unit Type M25 (D3D4-20, 21, 22)



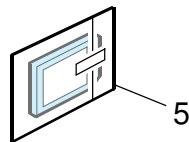
OCR Unit Type M13 (D3AC-23, 24, 25)



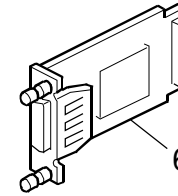
XPS Direct Print Option Type M25 (D3D4-24, 25, 26)



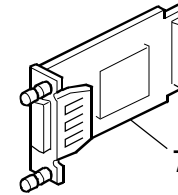
DataOverwriteSecurity Unit Type M19 (D3BS03)



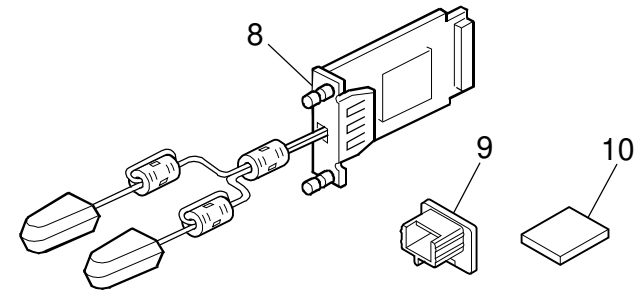
IEEE 1284 Interface Board Type M19 (D3C017)



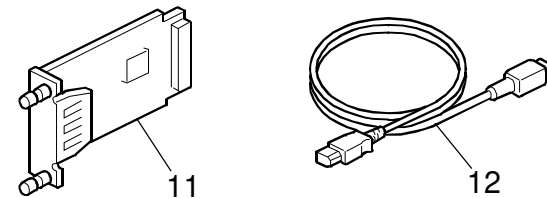
File Format Converter Type M19 (D3BR04)



IEEE 802.11a/g/n Interface Unit Type M19 (D3BR01)

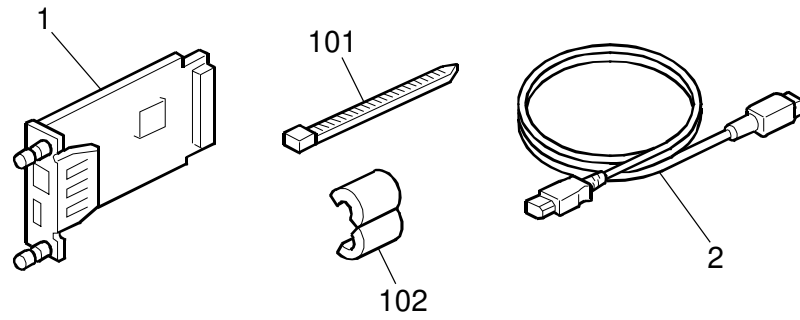


Copy Connector Type M25 (D3D301)

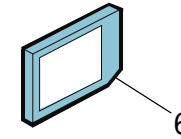


2. Controller Options 2

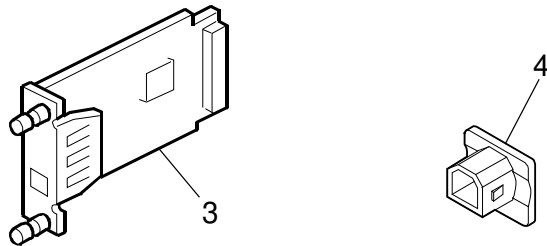
USB Device Server Option Type M19 (D3BC-28, 29)



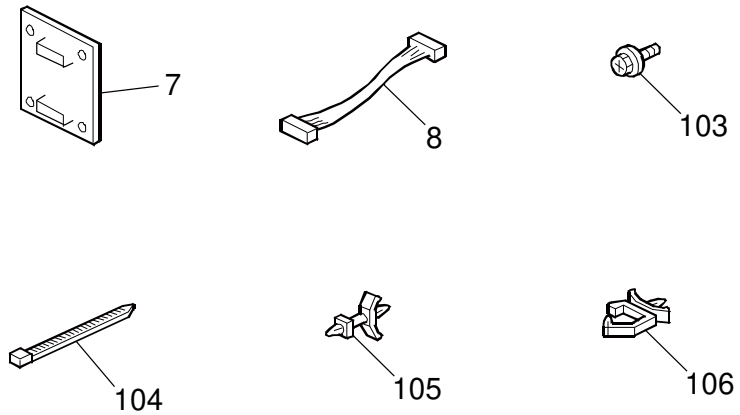
SD Card for Fonts Type D (D64154)



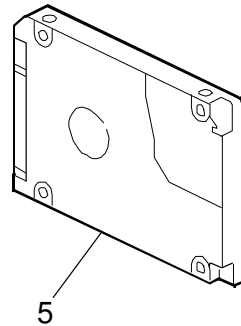
Extended USB Board Type M19 (D3BS01)



Optional Counter Interface Unit Type M12 (B87021)

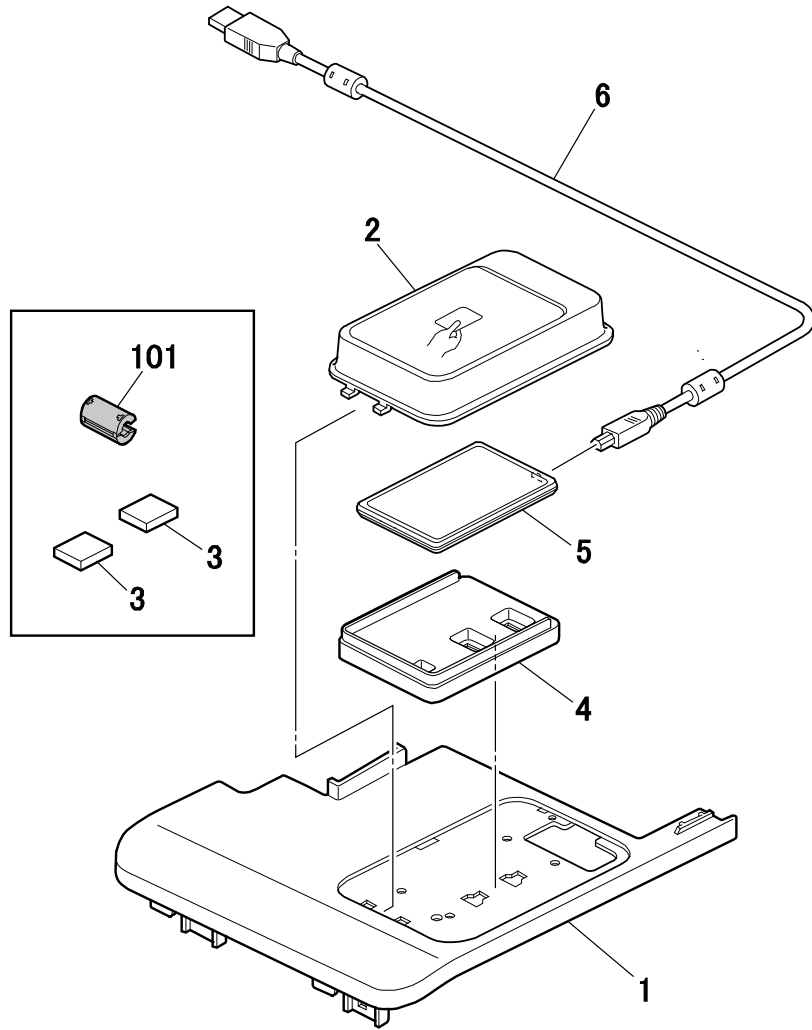


Enhanced Security HDD Option Type M10 (D79209)

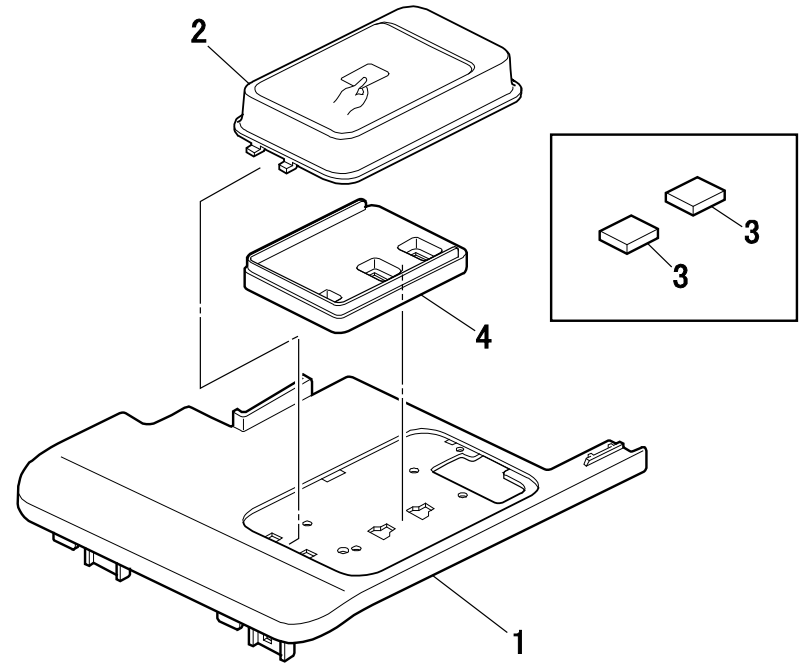


3. Other Options

NFC Card Reader Type M19 (D3BS21)



Smart Card Reader Built-in Unit Type M19 (D3BS22)



Key Counter Bracket Type1027 (B45257)

