

Model: Panda-C1		Date: 15-Jul-05	No.: RB270001
Subject: Differences between Kir-C2 and Panda-C1		Prepared by: H.Saitoh	
From: 1st Tech. Support Sec. Service Support Dept.			
Classification:	<input type="checkbox"/> Troubleshooting	<input type="checkbox"/> Part information	<input type="checkbox"/> Action required
	<input type="checkbox"/> Mechanical	<input type="checkbox"/> Electrical	<input checked="" type="checkbox"/> Service manual revision
	<input type="checkbox"/> Paper path	<input type="checkbox"/> Transmit/receive	<input type="checkbox"/> Retrofit information
	<input type="checkbox"/> Other ()		

DIFFERENCES BETWEEN THE KIR-C2b AND PANDA-C1 (B270-21)

Note:

- The Panda-C1 is for the China market only.
- See MB270001 for the Parts Catalog differences.

I. Major Differences

- Concept: The Panda-C1 was designed as a simple copier.
- The Panda-C1 **does not** have the following functions and parts:
 - Original size detection (ORIGINAL SENSOR)
 - Optional paper tray
 - Optional ARDF (B617).
Note: The only optional peripheral that can be used with the Panda-C1 is the ADF (B616).
 - GW functions for the Fax and Printer/Scanner
 - Auto Paper Selection, Auto Magnification Selection
- The Panda-C1 is fully compliant with the RoHS Directive.

II. Basic Specifications

Panda-C1	
CPM	15cpm
Network Capabilities	No
Paper Feed Tray	1 tray (250 papers)
Simplex / Duplex	Simplex only
Exterior	Same as Kir-C2b
ADF / ARDF	ADF only
APS	No

III. Service Manual Differences

1. The following sections **do not apply** to the Panda-C1.

1. INSTALLATION

1.4 ARDF INSTALLATION

1.6 TWO-TRAY PAPER TRAY UNIT INSTALLATION

1.7 ONE-TRAY PAPER TRAY UNIT INSTALLATION

1.8 ONE-BIN TRAY INSTALLATION

1.10.2 LOWER TRAY HEATER (TWO-TRAY MODEL ONLY)

1.10.3 TRAY HEATERS FOR THE OPTIONAL PAPER FEED UNITS

1.12 MFP EXPANSION

1.13 IEEE1284/IEEE1394 INTERFACE

1.14 BLUETOOTH

2. PREVENTIVE MAINTENANCE

2.1 PM TABLES

ARDF PART

PAPER TRAY UNIT

3. REPLACEMENT AND ADJUSTMENT

3.3.9 DUPLEX UNIT (B123)

3.3.11 LEFT LOWER COVER (TWO-TRAY MODELS ONLY)

3.3.12 RIGHT LOWER COVER (TWO-TRAY MODELS ONLY)

3.4.4 ORIGINAL WIDTH/LENGTH SENSOR

3.8.4 EXIT SENSOR

Duplex Models

3.8.13 LOWER PAPER FEED CLUTCH (TWO-TRAY MODELS ONLY)

3.8.14 VERTICAL TRANSPORT SENSOR (TWO-TRAY MODELS ONLY)

3.11 DUPLEX UNIT (DUPLEX MODELS ONLY)

3.12.5 REAR EXHAUST FAN (B123 ONLY)

5.1.3 SP MODE TABLES-MFP**5.1.6 DISPLAY APS DATA (SP4-301-1)**

Sensor Positions

Reading the Data

5.1.7 MEMORY CLEAR

Without Flash Memory Card

5.1.17 ADF APS SENSOR OUTPUT DISPLAY (SP6-901)**5.2 FIRMWARE UPDATE PROCEDURE FOR MFP MACHINES****6. DETAILED SECTION DESCRIPTIONS****6.14 DUPLEX UNIT****PERIPHERALS**

ONE-BIN TRAY (B621)

ARDF (B617)

SPECIFICATIONS**1. GENERAL SPECIFICATIONS**

Duplex Unit (B123 only)

2.1 ORIGINAL SIZE DETECTION**2.2 PAPER FEED AND EXIT**

Duplex

Optional Paper Tray, One-Bin Tray, By-pass Tray

4. OPTIONAL EQUIPMENT

ARDF

ONE-TRAY PAPER TRAY UNIT

TWO-TRAY PAPER TRAY UNIT

One-Bin Tray

Model: Panda-C1	Date: 15-Jul-05	No.: RB270001
-----------------	-----------------	---------------

2. The following SP modes are invalid or were deleted on the Panda-C1:

5.1.2 SP MODE TABLES-BASIC

SP-code No.	Contents		On the Panda-C1:
1001 3	Leading Edge Registration	Duplex	Invalid
1002 2	Side-to-Side Registration	2 nd tray	Invalid
1002 3		3 rd tray	Invalid
1002 4		4 th tray	Invalid
1002 6		Duplex	Invalid
1003 2	Paper Feed Timing	2 nd tray	Invalid
1003 3		Optional tray	Invalid
1003 5		Duplex	Invalid
1903 2	Feed Clutch Boost	2 nd , 3 rd , 4 th tray	Invalid
1908 1	Optional Tray Adj.	1 st optional	Invalid
1908 2		2 nd optional	Invalid
4301 1	Display-APS Data		DELETED
4303 1	APS Small Size Original		DELETED
5127 1	APS Mode		DELETED
5807 1	Area Selection		Invalid
5812 1	Service TEL		Invalid
5907 1	Plug & Play Setting		Invalid
6006 4	ADF Adjustment	S to S/Rear Regist	Invalid
6006 6		Original Curl Adj	Invalid
6006 7		Skew Correction	Invalid
7504 11	Counter-Each P Jam	Off-1 Vertical SN	Invalid
7504 12		ON-1 Vertical SN	Invalid
7504 21	Counter-Each P Jam	Off-2 Vertical SN	Invalid
7504 22		ON-2 Vertical SN	Invalid
7504 31		Off-3 Vertical SN	Invalid
7504 32		ON-3 Vertical SN	Invalid
7504 60		Off-Regist Duplex	Invalid
7504 123		Off-Dup Inverter	Invalid

Model: Panda-C1	Date: 15-Jul-05	No.: RB270001
-----------------	-----------------	---------------

SP-code No.	Contents	On the Panda-C1:	
7504 125		On-Dup Inverter	Invalid
7504 126		Off-Dup Entrance	Invalid
7504 127		On-Dup Entrance	Invalid
7504 128		Off-Duplex Exit	Invalid
7504 129		On-Duplex Exit	Invalid
7505 214	Counter-Each O Jam	Off-Inverter SN	Invalid
7505 215		On-Inverter SN	Invalid
7991 2	Dsply-Info Count	Dsply-APS Working	Invalid
8221 2	ADF Org Feed	Back	Invalid
8411 1	Print/Duplex	Display the total count of the duplex printing.	Invalid
8422 1	C: PrtPGS/Dup Comb	Simplex > Duplex	Invalid
8422 2		Duplex > Duplex	Invalid
8422 4		Simplex Combine	Invalid
8422 5		Duplex Combine	Invalid
8422 6		2>	Invalid
8422 7		4>	Invalid
8451 3	C: PrtPGS/PprTray	Tray 2	Invalid
8451 4		Tray 3	Invalid
8451 5		Tray 4	Invalid

Model: Panda-C1		Date: 22-Aug-05	No: RB270002
Subject: ROM History (BICU)		Prepared by: H. Saitoh	
From: 1st Tech. Support Sec. Service Support Dept.			
Classification:	<input type="checkbox"/> Troubleshooting	<input type="checkbox"/> Part information	<input type="checkbox"/> Action required
	<input type="checkbox"/> Mechanical	<input type="checkbox"/> Electrical	<input type="checkbox"/> Service manual revision
	<input type="checkbox"/> Paper path	<input type="checkbox"/> Transmit/receive	<input type="checkbox"/> Retrofit information
	<input checked="" type="checkbox"/> Other (Firmware release)		

We hereby inform you of the firmware history for the Panda-C1 BICU.

B2705534	Version	C.SUM	Production
-	0.03	696F	1 st Mass Prod.

Model: Panda-C1		Date: 5-Dec-05	No.: RB270003
Subject: Index Numbers correction in Operating Instructions		Prepared by: M. Ishihara	
From: 1st Tech. Support Sec. Service Support Dept.			
Classification:	<input type="checkbox"/> Troubleshooting	<input type="checkbox"/> Part information	<input type="checkbox"/> Action required
	<input type="checkbox"/> Mechanical	<input type="checkbox"/> Electrical	<input type="checkbox"/> Service manual revision
	<input type="checkbox"/> Paper path	<input type="checkbox"/> Transmit/receive	<input type="checkbox"/> Retrofit information
	<input type="checkbox"/> Product Safety	<input checked="" type="checkbox"/> Other (Error correction in the O/I)	

The Operating Instructions were corrected as follows (pg. 6):

- **Delete** index #1 and its text.
- **Correct** the following index numbers (illustration + text list).
 - See incorrect and correct illustration and text lists below.

Illustration:

Incorrect Index #	Correct Index #
2	1
3	2
4	3
5	4
6	5
7	6
8	7
9	8
10	9
11	10
14	11
15	12
16	13
17	14
18	15
19	16
20	17

Model: Panda-C1

Date: 5-Dec-05

No.: RB270003

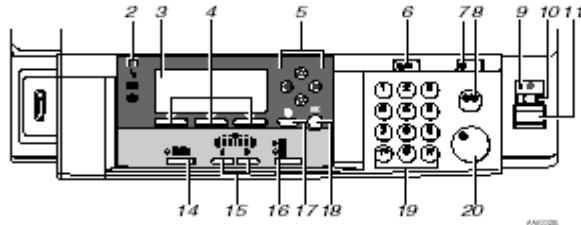
Text list:

Incorrect Index #	Correct Index #
2	1
3	2
4	3
5	4
6	5
7	6
8	7
9	8
10	9
11	10
12	11
13	12
14	13
15	14
16	15
17	16
18	17

Incorrect

控制面板

◆ 仅复印机



1. 【复印】键

按此键可启动复印机功能。

2. 指示灯

显示错误和本机状态。

- : 错误指示灯
参见系统设置手册中的“控制面板”。
- : 添加墨粉指示灯
请参见第 30 页“ 添加墨粉”。
- : 装纸指示灯
请参见第 28 页“ 装入纸张”。

3. 显示屏幕

显示操作状态和信息。

4. 选择键

对应显示屏幕上的项目。按这些键可选择相应项目。

5. 滚动键

按这些键可选择项目。

- 【▲】**: 向上滚动
- 【▼】**: 向下滚动
- 【▶】**: 向右滚动
- 【◀】**: 向左滚动

参考

请参见第 7 页“阅读显示屏幕和使用按键”。

6. 【用户工具 / 计数器】键

按此键可根据要求更改默认值或操作参数。

7. 【清除模式】键

按此键可清除当前设置。

8. 【清除 / 停止】键

清除: 清除输入的数值。
停止: 停止复印。

9. 主电源指示灯

打开主电源开关后亮起。

参考

第 8 页“打开电源”

10. “打开”指示灯

打开操作开关后亮起。

参考

第 8 页“打开电源”

11. 操作开关

按此开关可打开电源。“打开”指示灯亮起。要关闭电源, 请再次按下此开关。

12. 【分页】键

自动将复印件分页。

13. 【变浅】和【变深】

按下可更改图像浓度设置。在由浅到深递增的五个等级中选择图像的浓度。

14. 【原稿类型】键

按此键可选择注册为[原稿类型 1 (文字)]或[原稿类型 2 (照片)]的原稿类型。选择原稿类型后, 相应的指示灯亮起。

15. 【取消】键

按此键可取消操作或返回上一屏幕。

16. 【确定】键

按此键可设置所选的项目或输入的数值。

17. 数字键

按此键可输入数值。

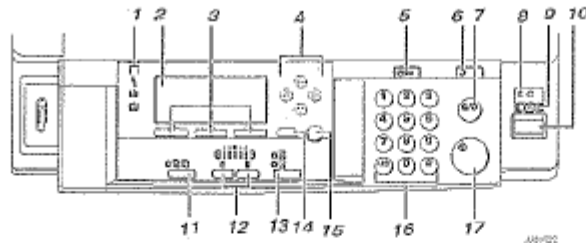
18. 【开始】键

按此键开始扫描或发送。

Correct

控制面板

◆ 仅复印机



1. 指示灯

显示错误和本机状态。

- : 错误指示灯
参见系统设置手册中的“控制面板”。
- : 添加墨粉指示灯
请参见第 30 页“ 添加墨粉”。
- : 装纸指示灯
请参见第 28 页“ 装入纸张”。

2. 显示屏

显示操作状态和信息。

3. 选择键

对应显示屏上的项目。按这些键可选择相应项目。

4. 滚动键

按这些键可选择项目。

- 【▲】: 向上滚动
- 【▼】: 向下滚动
- 【▶】: 向右滚动
- 【◀】: 向左滚动

☞ 参考

请参见第 7 页“阅读显示屏和使用按键”。

5. 【用户工具 / 计数器】键

按此键可根据要求更改默认值或操作参数。

6. 【清除模式】键

按此键可清除当前设置。

7. 【清除 / 停止】键

清除: 清除输入的数值。

停止: 停止复印。

8. 主电源指示灯

打开主电源开关后亮起。

☞ 参考

第 8 页“打开电源”

9. “打开”指示灯

打开操作开关后亮起。

☞ 参考

第 8 页“打开电源”

10. 操作开关

按此开关可打开电源，“打开”指示灯亮起。要关闭电源，请再次按下此开关。

11. 【分页】键

自动将复印件分页。

12. 【变浅】和【变深】

按下可更改图像浓度设置。在白浅到深递增的五个等级中选择图像的浓度。

13. 【原稿类型】键

按此键可选择注册为【原稿类型 1 (文字)】或【原稿类型 2 (照片)】的原稿类型。选择原稿类型后，相应的指示灯亮起。

14. 【取消】键

按此键可取消操作或返回上一屏幕。

15. 【确定】键

按此键可设置所选的项目或输入的数值。

16. 数字键

按此键可输入数值。

17. 【开始】键

按此键开始扫描或发送。

Model: PD-C1/C2/C3/C4		Date: 23-Mar-11	No.: RB245038
Subject: Parts Catalog Correction_Paper Tray (Model PD-C)		Prepared by: M.Saiki	
From: 2nd Overseas Tech Support Sec., 2nd PQM Dept.			
Classification:	<input type="checkbox"/> Troubleshooting	<input checked="" type="checkbox"/> Part information	<input type="checkbox"/> Action required
	<input type="checkbox"/> Mechanical	<input type="checkbox"/> Electrical	<input type="checkbox"/> Service manual revision
	<input type="checkbox"/> Paper path	<input type="checkbox"/> Transmit/receive	<input type="checkbox"/> Retrofit information
	<input type="checkbox"/> Product Safety	<input type="checkbox"/> Other ()	<input type="checkbox"/> Tier 2

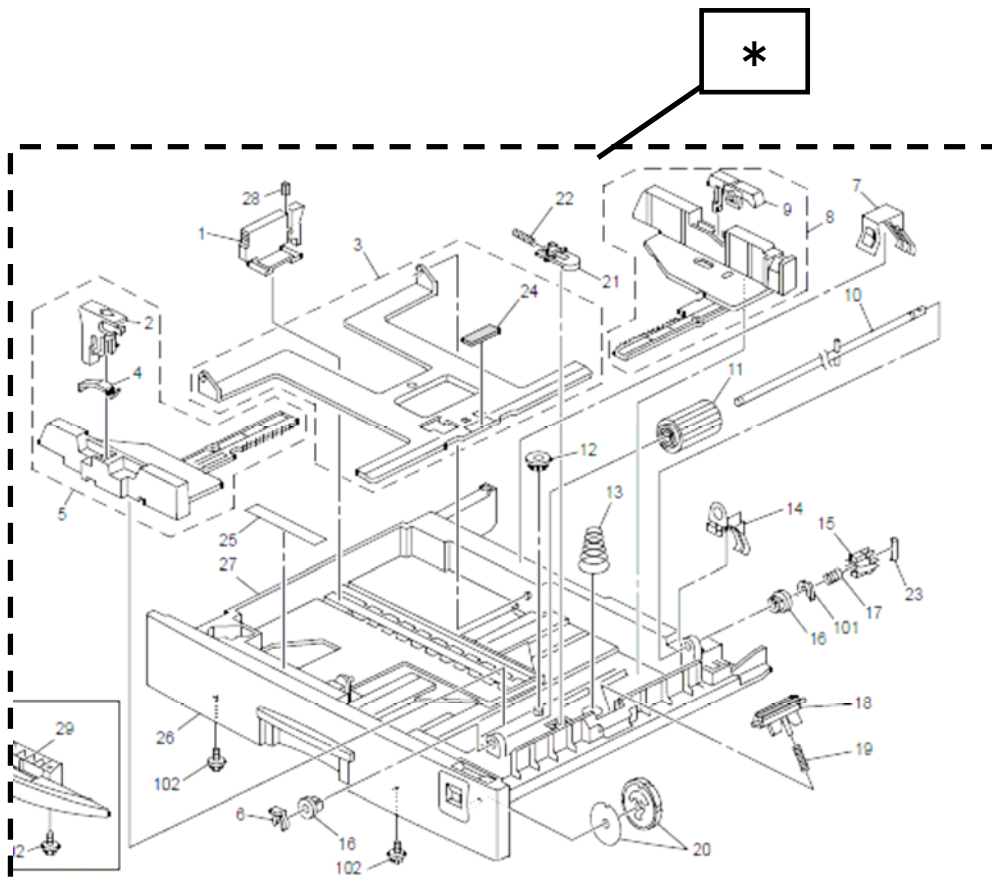
Target Models: PD-C1, -C2, -C3, -C4

Incorrect part number	Correct part number	Description	Q'ty	Int	Page	Index	Note
	B2452840	PAPER TRAY:PD-C2:ASS'Y	0 - 1		23	*	

Change: An index in the illustration was added.

Reason: Correction of illustration and part number.

See the following diagram for the corrected illustration.



Model: PD-C1		Date: 9-Mar-15	No.: RB270004
Subject: Parts information(ADF GRIP)		Prepared by: A.Ishida	
From: 2nd Tech Service Sect., MFP/P Tech Service Dept.			
Classification:	<input type="checkbox"/> Troubleshooting	<input checked="" type="checkbox"/> Part information	<input type="checkbox"/> Action required
	<input type="checkbox"/> Mechanical	<input type="checkbox"/> Electrical	<input type="checkbox"/> Service manual revision
	<input type="checkbox"/> Paper path	<input type="checkbox"/> Transmit/receive	<input type="checkbox"/> Retrofit information
	<input type="checkbox"/> Product Safety	<input type="checkbox"/> Other ()	<input type="checkbox"/> Tier 2

Change: The following assembly was added.

Reason: To increase the adhesive strength between the handgrip and DF base.

Note: The handgrip can be damaged when the DF is opened/closed repeatedly.

Model	Old part number	New part number	Description	Q'ty	Int	Page	Index	Note
LHOTSE-D	-	D5781991	GRIP:PROTECT:ASS'Y	0-1	-	3	27	

Important: Attach the grip to the base using double-sided tape.

